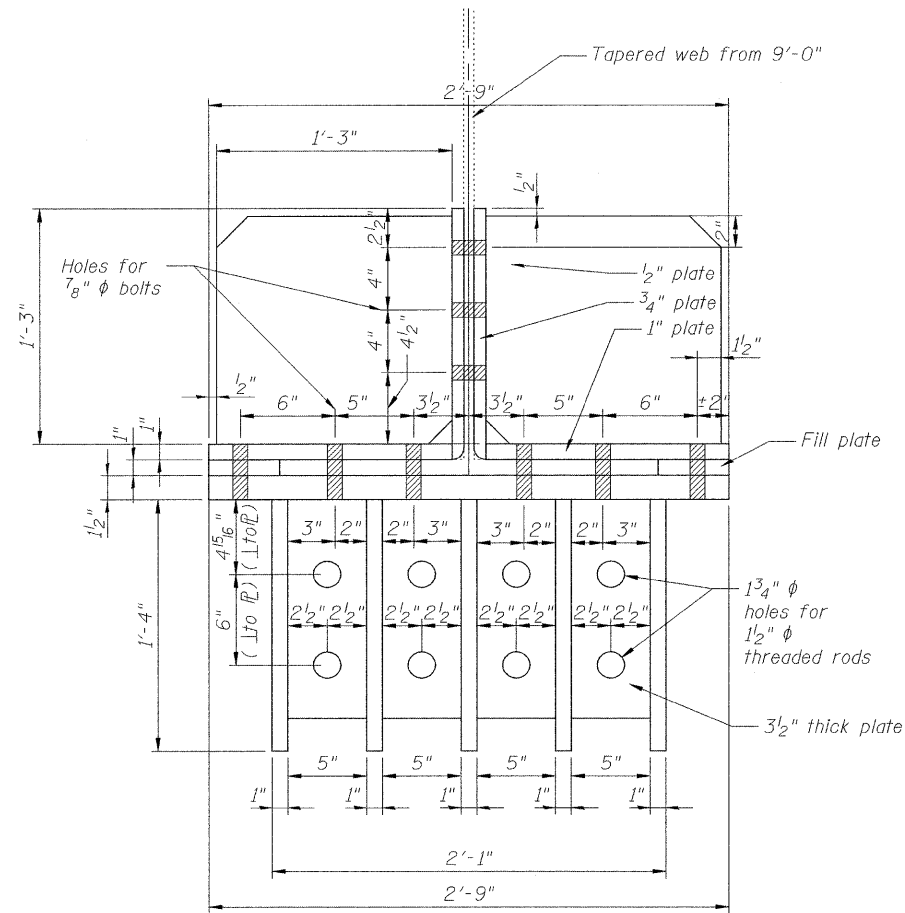
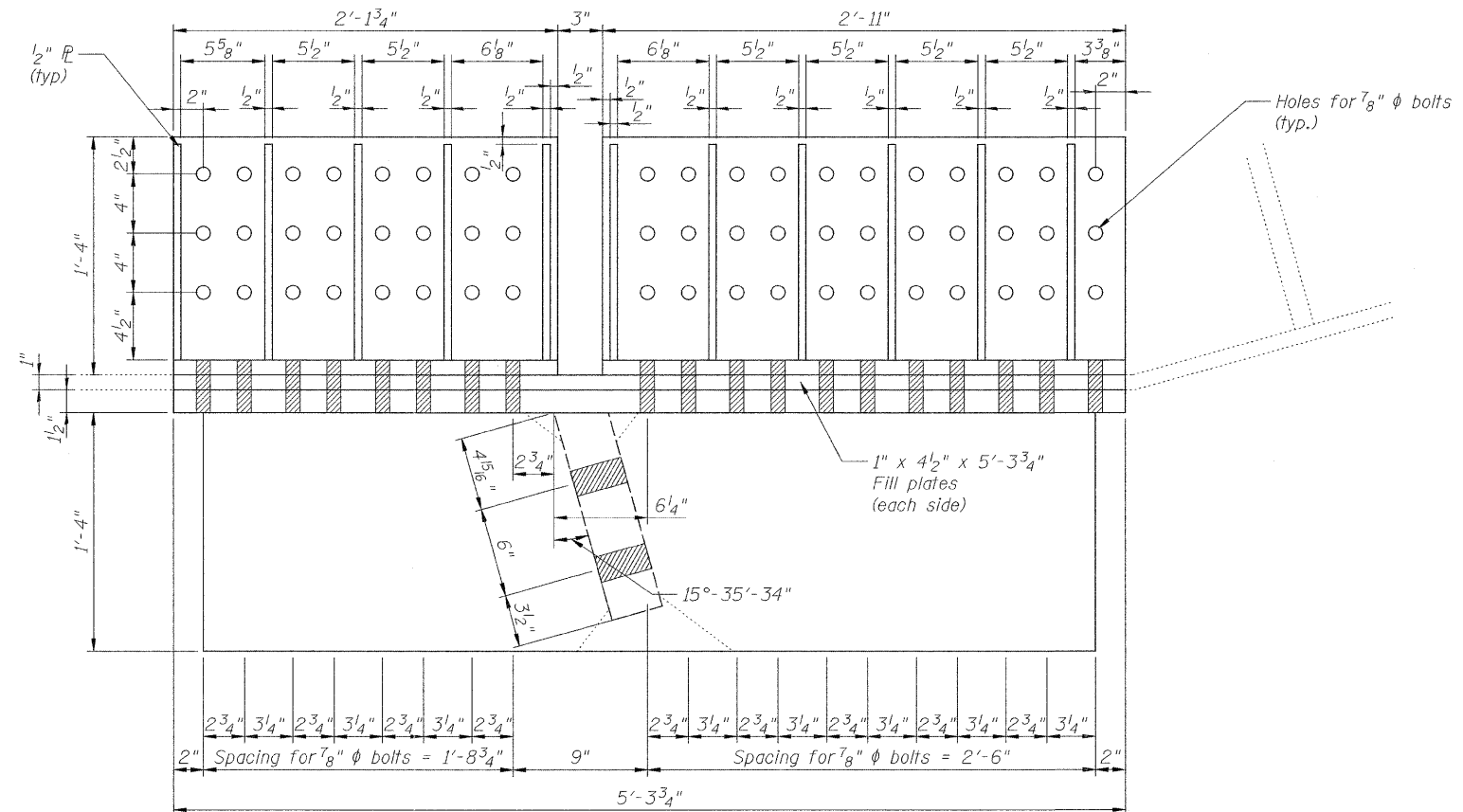


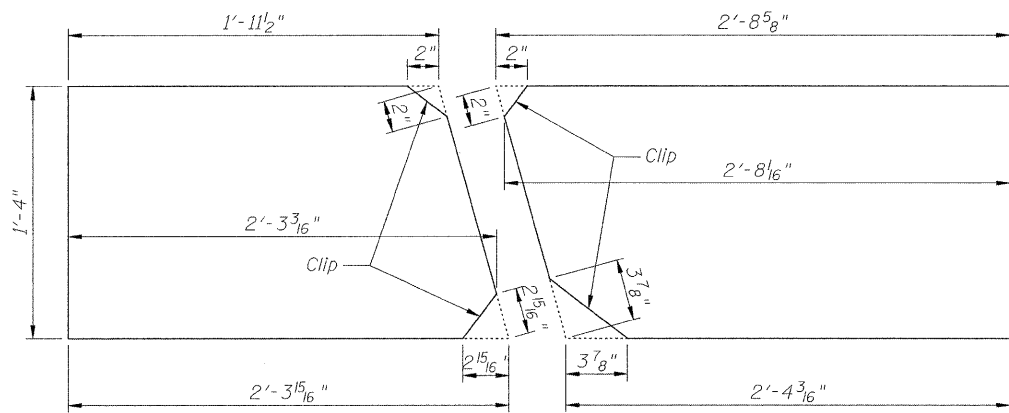
STATE OF ILLINOIS
DEPARTMENT OF TRANSPORTATION



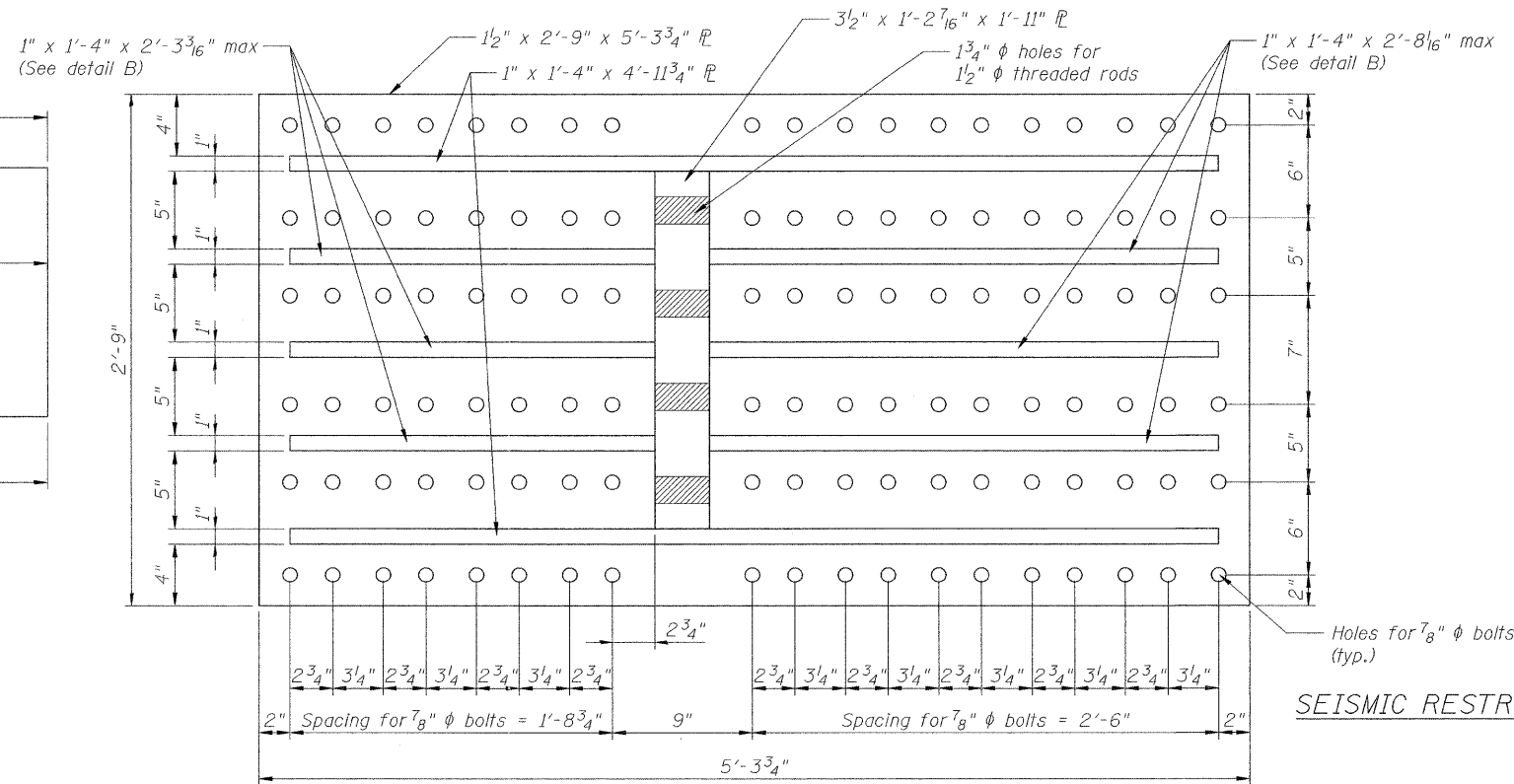
END VIEW



ELEVATION



DETAIL B



PLAN

SEISMIC RESTRAINER NEAR PIERS 19 & 24 - 2

DETAILS FOR SEISMIC BRACKET "E"

DESIGNED	NJM
CHECKED	RM
DRAWN	JVK
CHECKED	NJM



PARSONS
400 WOODS MILL RD. SOUTH, SUITE 330
CHESTERFIELD, MO. 63017
PHONE: 314.434.2900

SHEET NO. 31 36 SHEETS	F.A.I. RTE.	SECTION	COUNTY	TOTAL SHEETS	SHEET NO.
	270	60B-I-8	MADISON	49	44
			CONTRACT NO. 76A92		
FED. ROAD DIST. NO. 8 ILLINOIS FED. AID PROJECT					