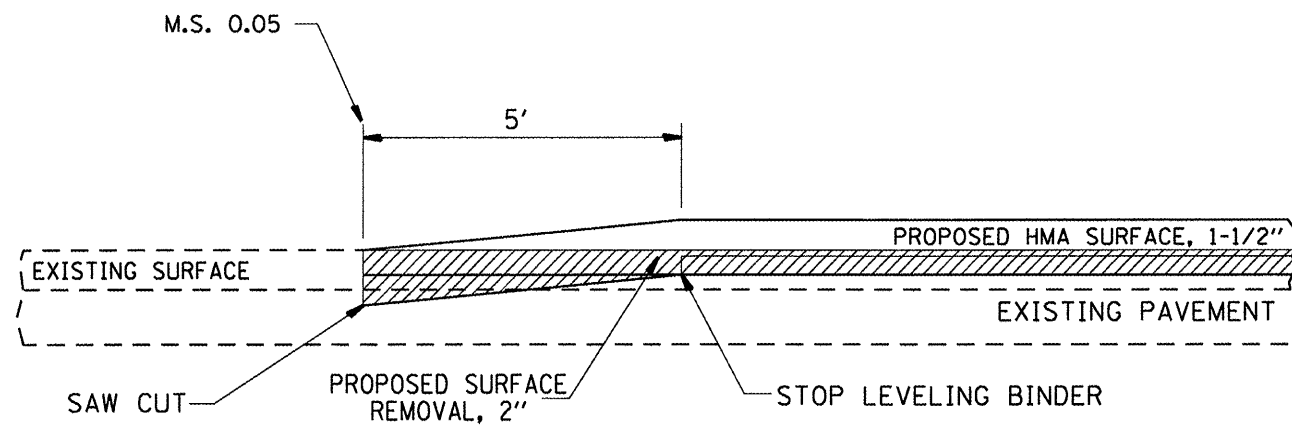
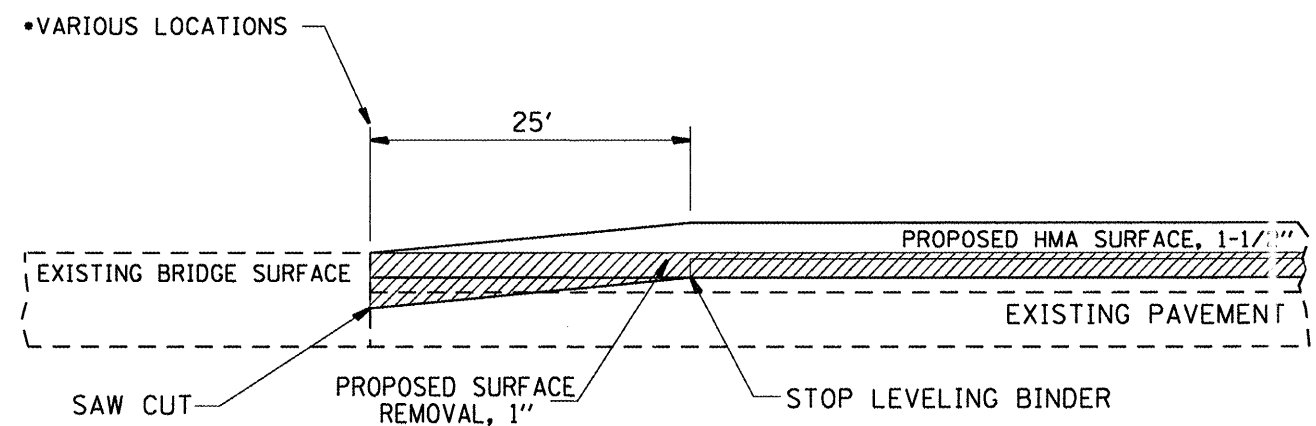


BUTTJOINT DETAIL



BRIDGE BUTTJOINT DETAIL

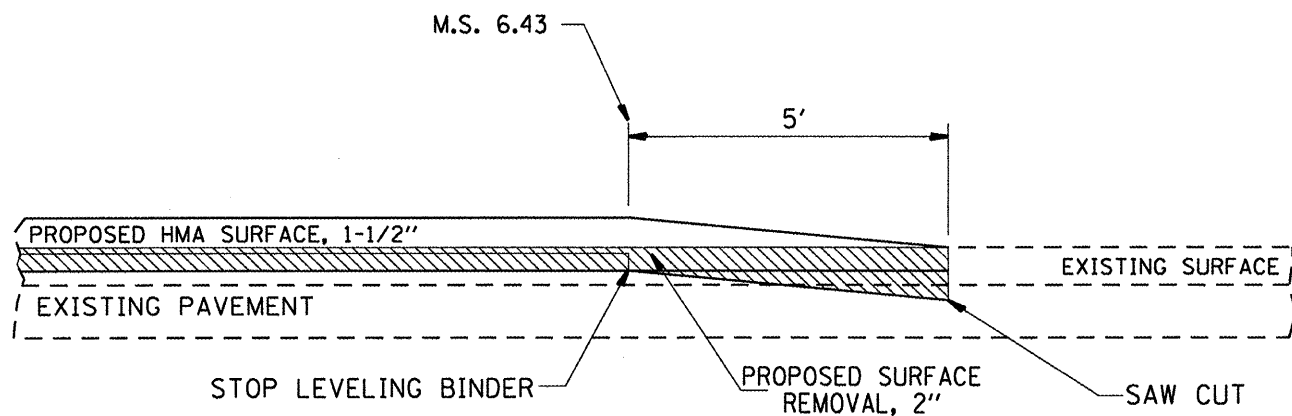


*VARIOUS LOCATIONS

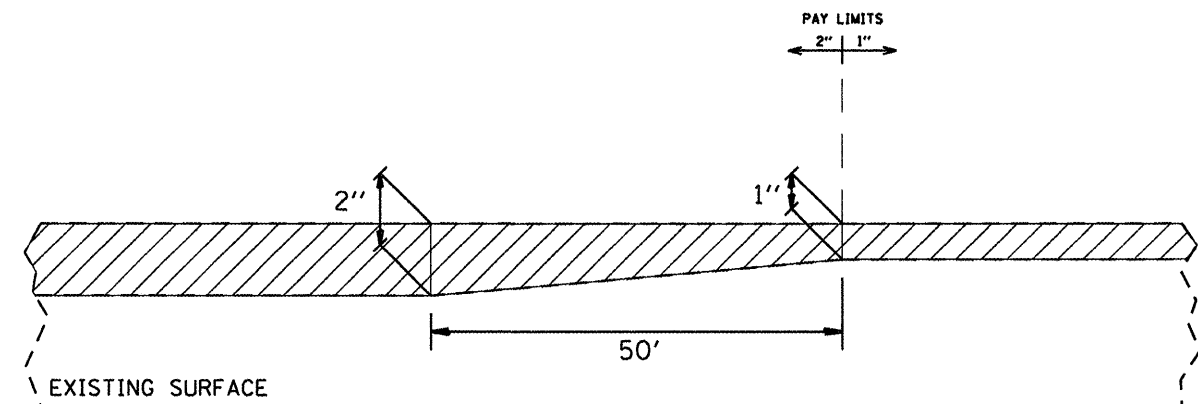
M.S. 3.48
M.S. 3.50

NOT TO SCALE

SURFACE REMOVAL TRANSITION DETAIL



PROPOSED HMA SURFACE REMOVAL



NOTE:
TRANSITION, PAID AS 2" SURFACE REMOVAL

NOT TO SCALE

| | | | | | | | | | | |
|-------------|--------------------|------------|-----------|---|--|---|-------------|--------------------|-----------------|----|
| FILE NAME = | USER NAME = *USER* | DESIGNED - | REVISED - | STATE OF ILLINOIS DEPARTMENT OF TRANSPORTATION | BUTTJOINT, BRIDGE BUTTJOINT & SURF REM TRANSITION DETAILS | F.A.P. RTE. | SECTION | COUNTY | TOTAL SHEET NO. | |
| #FILE# | | DRAWN - | REVISED - | | | 600 | 151,132RS-4 | * | 23 | 21 |
| | | CHECKED - | REVISED - | | | SCALE: _____ SHEET NO. _____ OF _____ SHEETS STA. _____ TO STA. _____ | | CONTRACT NO. 78879 | | |
| | | DATE - | REVISED - | * MONROE, RANDOLPH FED. ROAD DIST. NO. ILLINOIS FED. AID PROJECT | | | | | | |