

CROSS SECTION OF BOX CULVERT

	Location 1	Location 2	Location 3	Location 4
Cahokia Box Culvert Station	8+80	8+95	11+88	13+26
Pipe Diameter	36" RCP	36" RCP	24" RCP	24" Plugged Pipe
Type of Repair	Type 2	Type 1	Type 1	Type 1

NOTES:

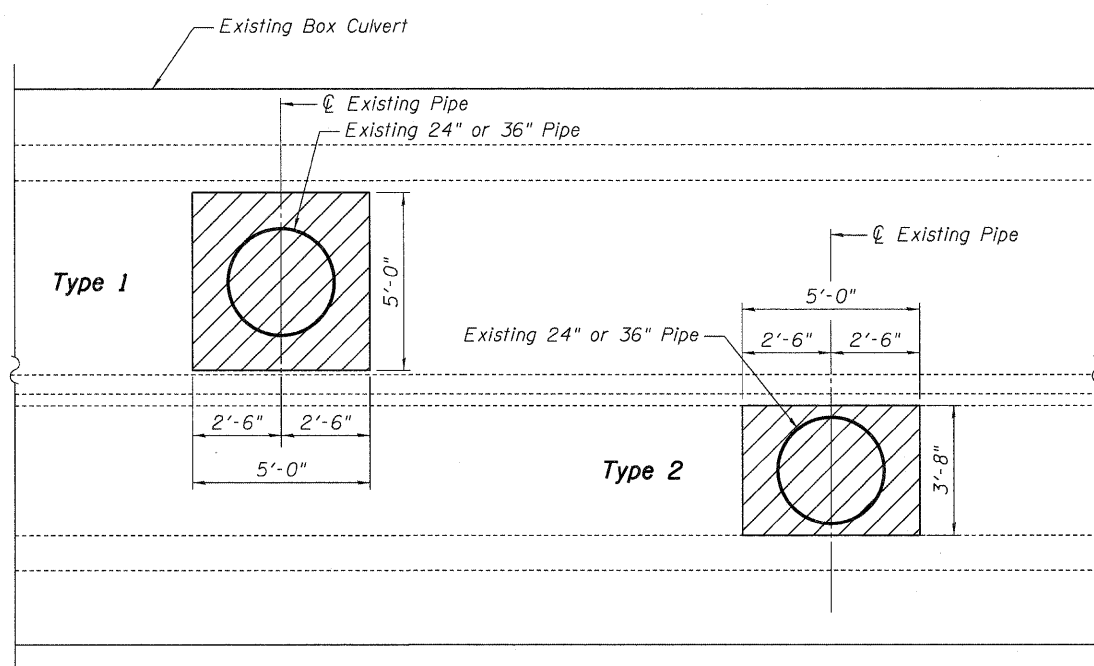
1. Reinforcement bars shall conform to the requirements of ASTM A 706 Gr 60. See Special Provisions.
2. Drill and epoxy grout bars in drilled holes according to Section 584 of the IDOT Standard Specifications. Method and grout are subject to the approval of the Engineer. The cost of drilling and grouting shall be included with Reinforcement Bars.
3. I.F., O.F. and E.F. indicates inside face, outside face and each face respectively.
4. See Sheet 107 for pipe plug details.
5. Prior to placing new concrete, full depth saw cuts shall be cleaned and prepared according to the Surface Preparation section of the Guide Bridge Special Provision for Structural Repair of Concrete.

BAR LIST

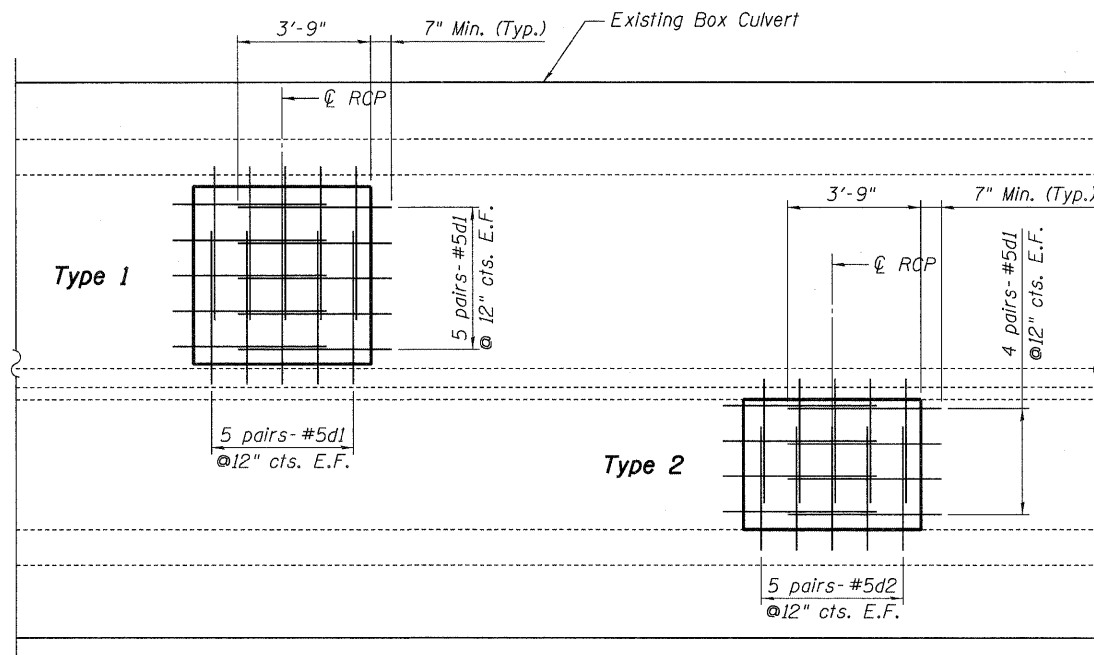
Bar	No.	Size	Length	Shape
d1	140	#5	4'-4"	---
d2	20	#5	3'-6"	---

BILL OF MATERIAL

Item	Unit	Total
Concrete Removal	Cu. Yd.	4.3
Reinforcement Bars	Pound	710
Concrete Box Culverts	Cu. Yd.	4.3



VIEW A-A - REMOVAL LIMITS



VIEW A-A - REINFORCEMENT DETAILS

10/22/2010 CONN-06-003-BC.DGN, 08/22/2010 CONN-PR-001-00.DGN
 2/24/2011 15:56:41 BONDHILLD \\FS-0044\ANVAULT\J.D-TRANS_07\2202\08069-001\STRUCT\CAD\01 DESIGN\08222010\SHEET\08222010-CONN-06-001-SHT-MS.DGN