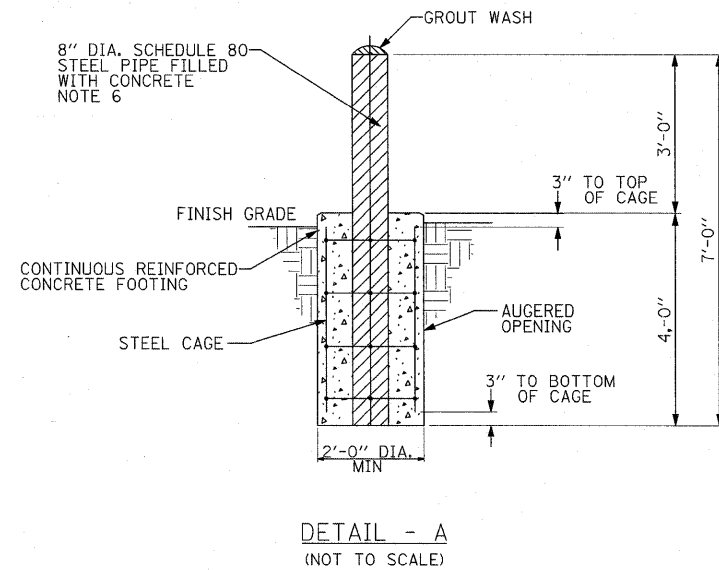
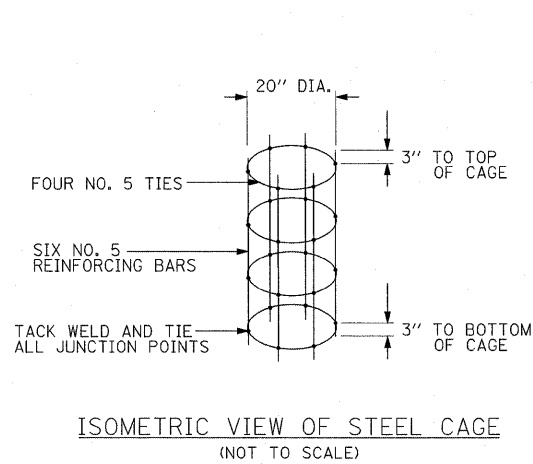
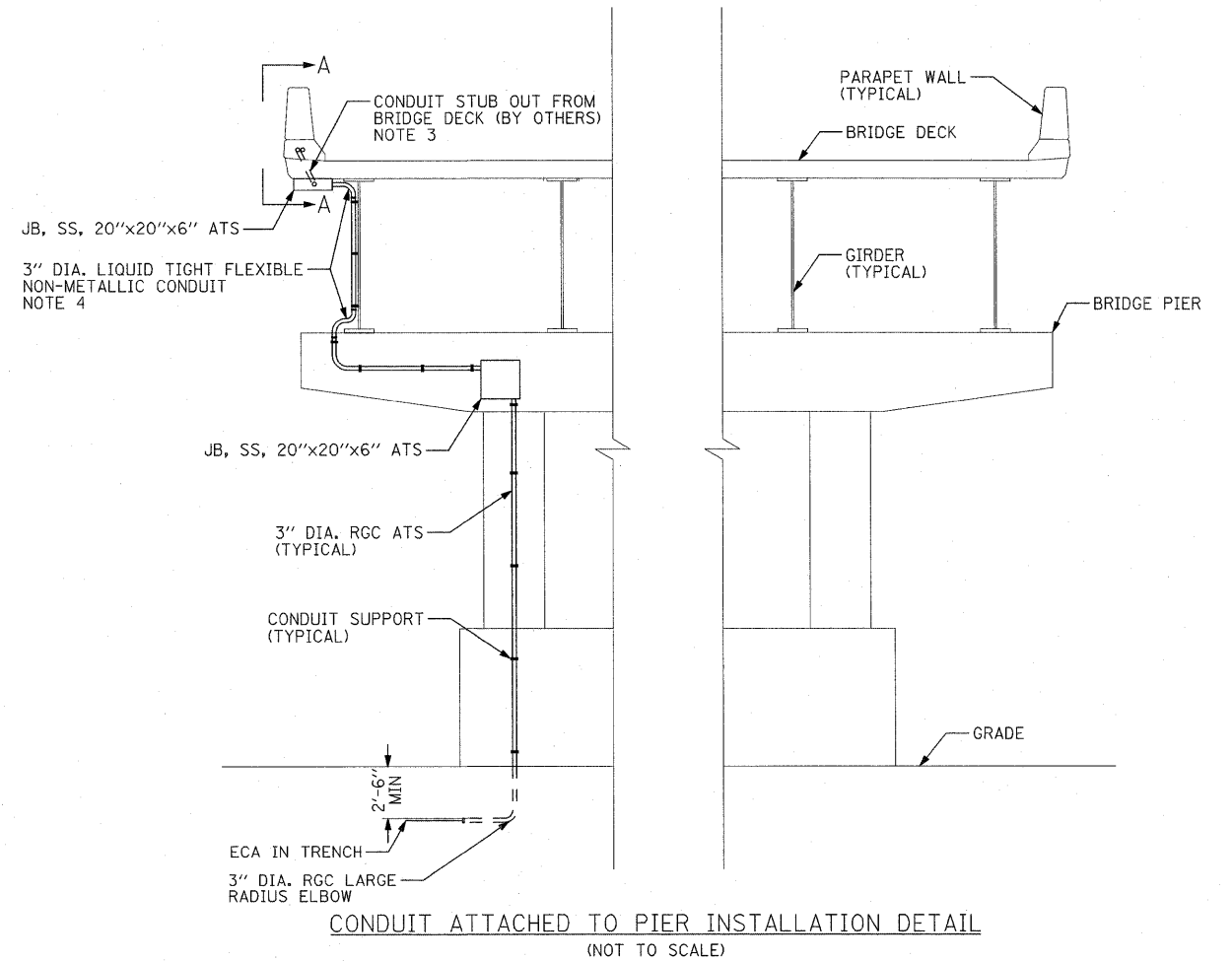


**NOTES:**

1. SEE DRAWING ME-01 FOR ELECTRICAL SYMBOLS AND ABBREVIATIONS.
2. SEE DRAWING RL-02 FOR LOCATIONS OF JUNCTION BOXES AND CONDUITS ATTACHED TO BRIDGE STRUCTURES.
3. COORDINATE WORK WITH IDOT CONTRACTS 76C75 AND 76C76.
4. THE FLEXIBLE CONDUIT WILL BE MEASURED AND PAID FOR UNDER THE "CONDUIT ATTACHED TO STRUCTURE, GALVANIZED STEEL" PAY ITEMS.
5. PROVIDE A CABLE GRIP FITTING IN THE JUNCTION BOX AT THE TOP OF THE VERTICAL CONDUIT RUN TO PROVIDE STRAIN RELIEF TO THE ELECTRIC CABLE ASSEMBLY (ECA), THE FITTING MUST BE PYLE-NATIONAL COMPANY DBZM GROUP STRAIN RELIEF CONNECTOR WITH WOVEN GRIP OR APPROVED EQUAL. THE CABLE GRIP FITTING WILL BE MEASURED AND PAID FOR UNDER THE ELECTRIC CABLE ASSEMBLY PAY ITEM FOR WHICH IT IS INSTALLED.
6. BOLLARDS SHALL BE PAINTED, COLOR SHALL BE SAFETY YELLOW.



FILE NAME =	USER NAME = lertzt	DESIGNED - WDS	REVISED -	<b>STATE OF ILLINOIS DEPARTMENT OF TRANSPORTATION</b>	<b>MISCELLANEOUS ELECTRICAL DETAILS</b>			F.A.I. RTE.	SECTION	COUNTY	TOTAL SHEETS	SHEET NO.
#FILE#	PLOT SCALE = 1/8" = 1'-0"	DRAWN - TL	REVISED -					55/64	82-1L	ST. CLAIR	60	35
	PLOT DATE = 12/30/2010	CHECKED - JPC	REVISED -		SCALE: NONE SHEET NO. 1 OF 1 SHEETS STA. N/A TO STA. N/A			CONTRACT NO. 76C54				
		DATE - JANUARY 4, 2011	REVISED -					FED. ROAD DIST. NO. ILLINOIS FED. AID PROJECT				