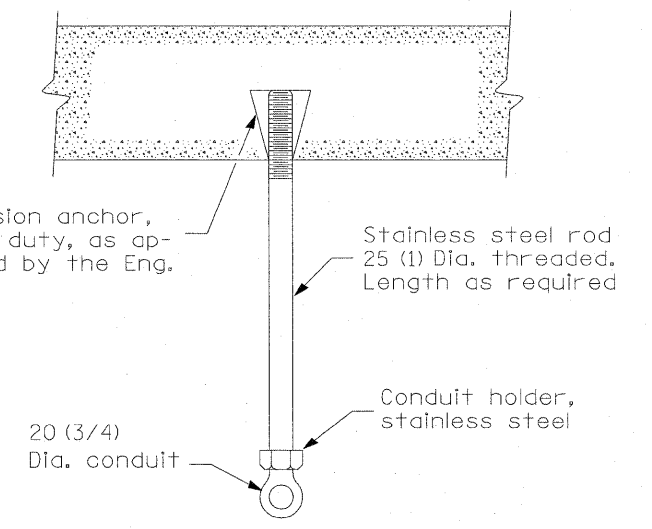
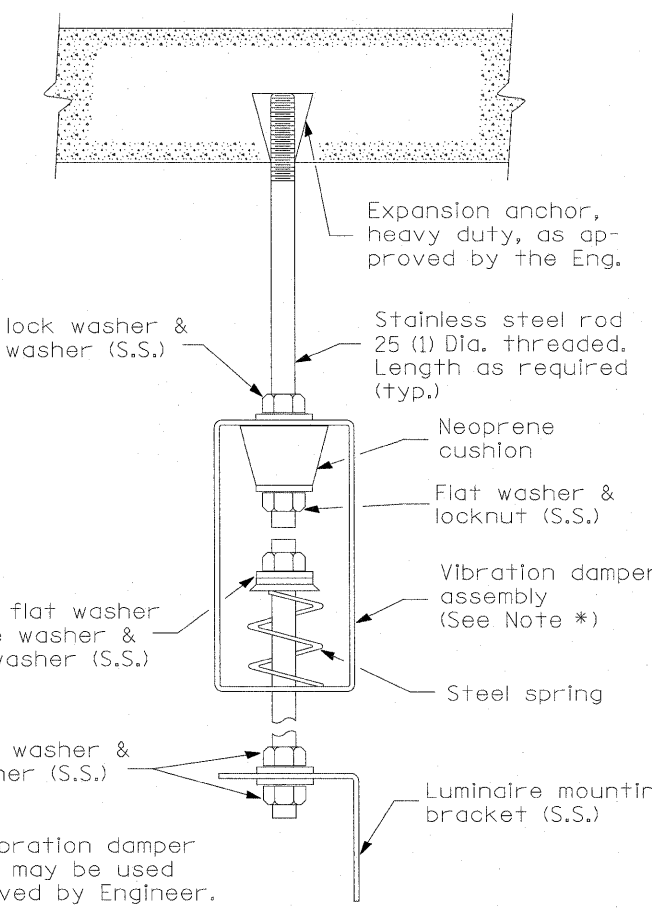


**UNDERPASS LIGHTING**  
(Mounted on Face Pier)



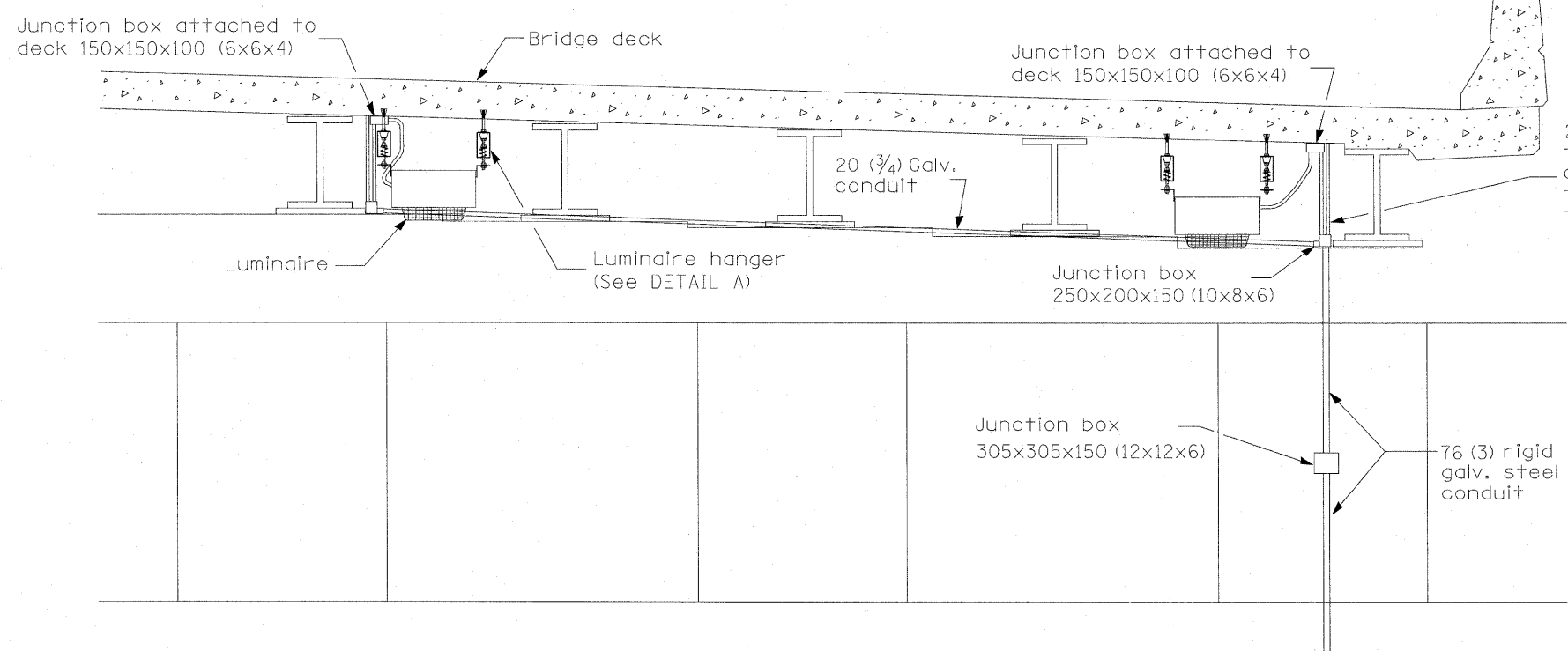
**CONDUIT HANGER**



\* Note:  
Other vibration damper assembly may be used if approved by Engineer.

**LUMINAIRE HANGER ASSEMBLY DETAIL A**

All dimensions are in millimeters (inches) unless otherwise shown.



**UNDERPASS LIGHTING**  
(Mounted to Bridge Deck)

DATE	REVISIONS

**UNDERPASS LIGHTING**

**LGT019**