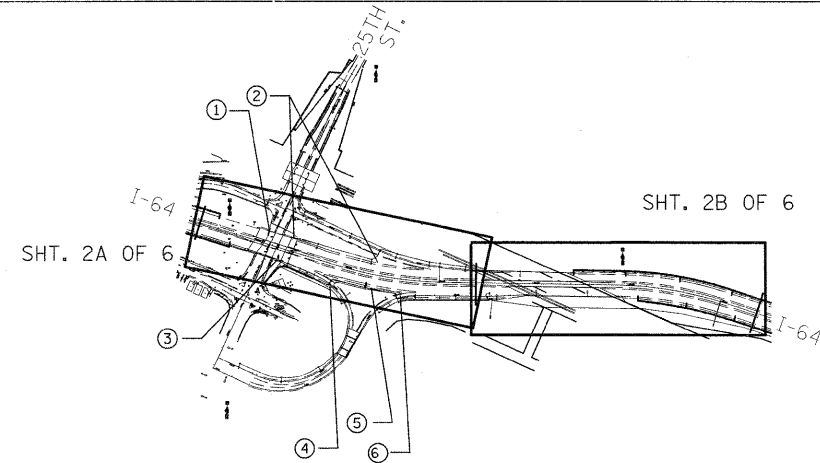


- WB MAINLINE BEHIND GUARDRAIL
- WB CONDUIT PUSH STA. 96+76
- WB CONDUIT PUSH STA. 101+60
- WB RR BRIDGE PARAPET STA. 105+80
- EB MAINLINE BEHIND GUARDRAIL
- EB RR BRIDGE PARAPET STA. 99+48
- EB CONDUIT PUSH STA. 101+60
- EB RR BRIDGE PARAPET STA. 105+43
- RAMP H CONDUIT PUSH STA. 6+65
- WB MAINLINE

STANDARDS	CONTROLLER #2 SHTS. 1A-2A OF 6 TC & P LOCATIONS												TOTAL
	1	2	3	4	5	6	7	8	9	10	11	12	
OFF-RD OPERATIONS, MULTILANE, 15' (4.5 m) TO 24" (600 mm) 701101	X	X	X	X	X	X	X	X	X	X	X	X	
OFF-RD OPERATIONS, MULTILANE, MORE THAN 15' (4.5 m) AWAY 701106	X	X	X	X	X	X	X	X	X	X	X	X	
APPROACH TO LANE CLOSURE, FREEWAY/EXPRESSWAY 701400	X	X	X	X	X	X	X	X	X	X	X	X	
LANE CLOSURE, FREEWAY/EXPRESSWAY, DAY OPERATIONS ONLY 701406						.22		.22					.44
TWO LANE CLOSURE FREEWAY/EXPRESSWAY 701446													
PARTIAL EXIT RAMP CLOSURE FREEWAY/EXPRESSWAY 701456										.20			.20
URBAN LANE CLOSURE, MULTILANE INTERSECTION 701701													

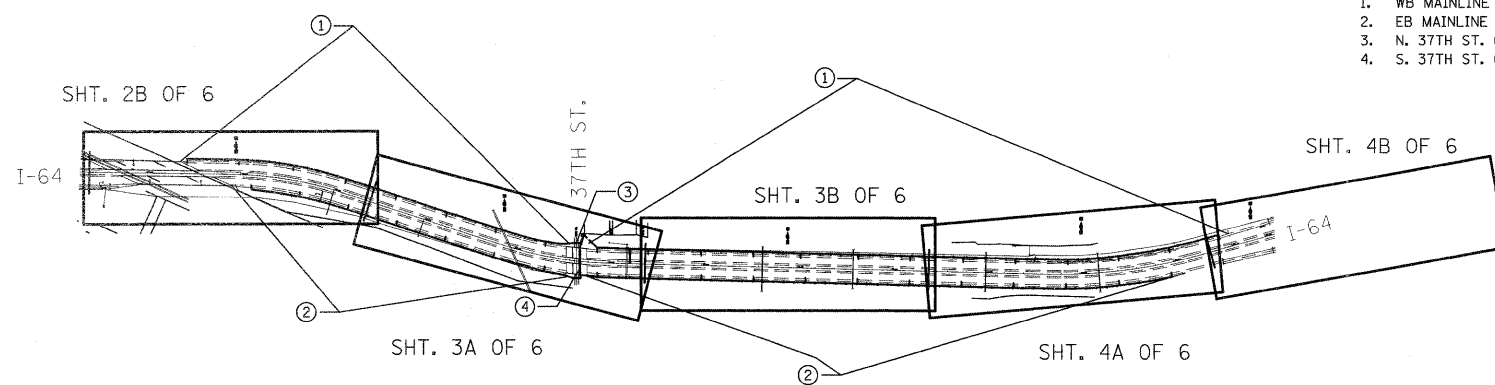
TRAFFIC VOLUME LOCATIONS	2010 ADT EST.	SUZ	MUZ
I-64 WB MAIN LINE, 25TH ST. RAMP K TO 18TH ST BRIDGE	704400	2.8	9.7
25TH ST. RAMP H	3300	4.6	1.5
25TH ST. RAMP F	1350	1.5	0.8
I-64 EB MAIN LINE, 18TH ST BRIDGE TO 25TH ST. RAMP G	70400	2.8	9.7



- WB 25TH BRIDGE PARAPET STA. 121+50
- WB MAINLINE
- EB 25TH BRIDGE PARAPET STA. 121+50
- RAMP G CONDUIT PUSH STA. 4+70
- EB MAINLINE
- RAMP J CONDUIT PUSH STA. 12+20

STANDARDS	CONTROLLER #3 SHTS. 2A-2B OF 6 TC & P LOCATIONS												TOTAL
	1	2	3	4	5	6	7	8	9	10	11	12	
OFF-RD OPERATIONS, MULTILANE, 15' (4.5 m) TO 24" (600 mm) 701101	X	X	X	X	X	X							
OFF-RD OPERATIONS, MULTILANE, MORE THAN 15' (4.5 m) AWAY 701106	X	X	X	X	X	X							
APPROACH TO LANE CLOSURE, FREEWAY/EXPRESSWAY 701400	X		X	X		X							
LANE CLOSURE, FREEWAY/EXPRESSWAY, DAY OPERATIONS ONLY 701406	.14		.14										.28
TWO LANE CLOSURE FREEWAY/EXPRESSWAY 701446													
PARTIAL EXIT RAMP CLOSURE FREEWAY/EXPRESSWAY 701456					.20		.20						.40
URBAN LANE CLOSURE, MULTILANE INTERSECTION 701701	.50		.50										1.00

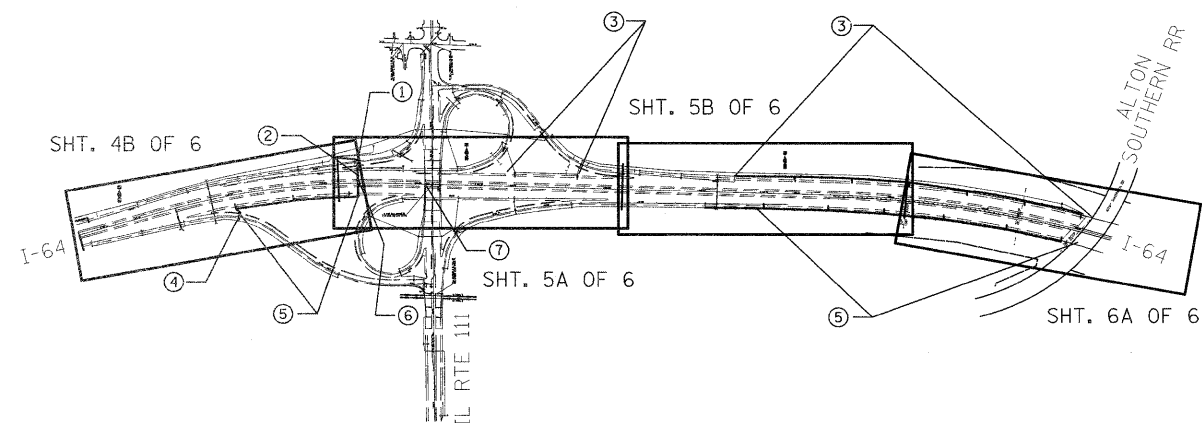
TRAFFIC VOLUME LOCATIONS	2010 ADT EST.	SUZ	MUZ
I-64 WB MAIN LINE, 25TH ST. RAMP G TO 59TH ST. RAMP A	67300	2.6	10.2
I-64 EB MAIN LINE, 25TH ST. RAMP G TO 59TH ST. RAMP D	67300	2.2	10.2
25TH ST. RAMP G	2650	4.8	1.2
25TH ST. RAMP J	1600	1.3	0.6
25TH ST. NB & SB	7200	NA	NA



- WB MAINLINE
- EB MAINLINE
- N. 37TH ST. CONDUIT PUSH
- S. 37TH ST. CONDUIT PUSH

STANDARDS	CONTROLLER #4 SHTS. 2B-4B OF 6 TC & P LOCATIONS												TOTAL
	1	2	3	4	5	6	7	8	9	10	11	12	
OFF-RD OPERATIONS, MULTILANE, 15' (4.5 m) TO 24" (600 mm) 701101	X	X	X	X									
OFF-RD OPERATIONS, MULTILANE, MORE THAN 15' (4.5 m) AWAY 701106	X	X	X	X									
APPROACH TO LANE CLOSURE, FREEWAY/EXPRESSWAY 701400													
LANE CLOSURE, FREEWAY/EXPRESSWAY, DAY OPERATIONS ONLY 701406													
PARTIAL EXIT RAMP CLOSURE FREEWAY/EXPRESSWAY 701456													
URBAN LANE CLOSURE, 2L, 2W, UNDIVIDED 701501			.50	.50									1.00

TRAFFIC VOLUME LOCATIONS	2010 ADT EST.	SUZ	MUZ
I-64 WB MAIN LINE, 25TH ST. RAMP G TO 59TH ST. RAMP A	67300	2.6	10.2
I-64 EB MAIN LINE, 25TH ST. RAMP G TO 59TH ST. RAMP D	67300	2.6	10.2
37TH ST. NB & SB	4100	NA	NA



- RAMP A CONDUIT PUSH STA. 7+90
- WB CONDUIT PUSH STA. 207+10
- WB MAINLINE
- RAMP D CONDUIT PUSH STA. 5+10
- EB MAINLINE
- EB CONDUIT PUSH STA. 207+10
- W/ SB IL 111 BRIDGE CONDUIT
- SB IL 111 BRIDGE PARAPET

STANDARDS	CONTROLLER #5 SHTS. 4B-6A OF 6 TC & P LOCATIONS												TOTAL
	1	2	3	4	5	6	7	8	9	10	11	12	
OFF-RD OPERATIONS, MULTILANE, 15' (4.5 m) TO 24" (600 mm) 701101	X	X	X	X	X	X	X						
OFF-RD OPERATIONS, MULTILANE, MORE THAN 15' (4.5 m) AWAY 701106	X	X	X	X	X	X	X						
APPROACH TO LANE CLOSURE, FREEWAY/EXPRESSWAY 701400	X					X	X						
LANE CLOSURE, FREEWAY/EXPRESSWAY, DAY OPERATIONS ONLY 701406			.09			.09	.10						.28
TWO LANE CLOSURE FREEWAY/EXPRESSWAY 701446		.50				.50							1.00
PARTIAL EXIT RAMP CLOSURE FREEWAY/EXPRESSWAY 701456	.20			.20									.40

TRAFFIC VOLUME LOCATIONS	2010 ADT EST.	SUZ	MUZ
I-64 WB MAIN LINE, 59TH ST. RAMP A TO RR BRIDGE	59400	4.4	8.7
I-64 EB MAIN LINE, 59TH ST. RAMP D TO RR BRIDGE	59400	4.4	8.7
IL 111 ST. RAMP A	1800	1.1	0.6
IL 111 ST. RAMP D	4700	1.9	1.9

FILE NAME =	USER NAME = prestonme	DESIGNED -	REVISED -
cs:\pwork\pwork\prestonme\d0239232\d076e59-plan-TS.dgn		DRAWN -	REVISED -
		CHECKED -	REVISED -
		DATE -	REVISED -

**STATE OF ILLINOIS
DEPARTMENT OF TRANSPORTATION**

**PLAN SHEET LAYOUTS AND
TRAFFIC CONTROL & PROTECTION AND TRAFFIC VOLUME SCHEDULES**

SCALE: SHEET NO. OF SHEETS STA. TO STA.

F.A.I. RTE.	SECTION	COUNTY	TOTAL SHEETS	SHEET NO.
64	82-(1,2,3)I-1	ST CLAIR	16	4
CONTRACT NO. 76E59				

FED. ROAD DIST. NO. ILLINOIS FED. AID PROJECT