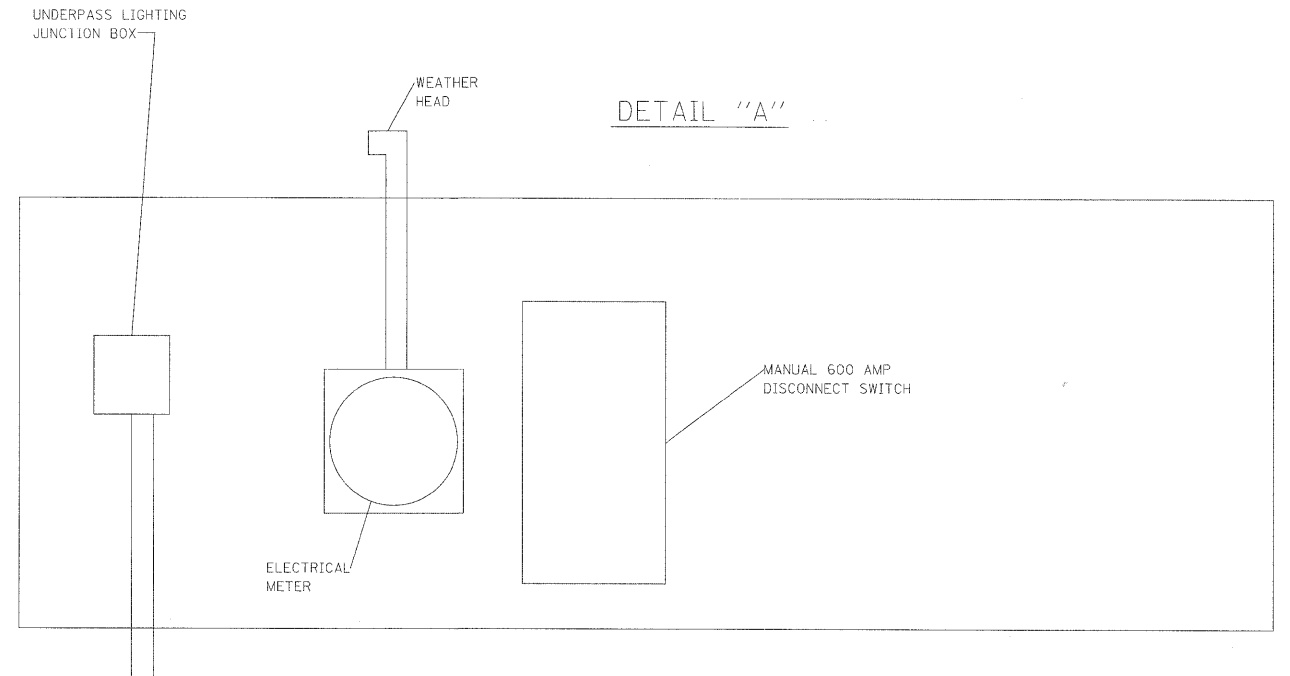


NOTES:

1. RESIDENT ENGINEER TO DETERMINE EXACT LOCATION OF EQUIPMENT.
2. CONTRACTOR WILL CONTACT AMEREN ILLINOIS PRIOR TO BIDDING AND DURING CONSTRUCTION TO COORDINATE ALL WORK TO ABIDE BY ALL REQUIREMENTS SET FORTH BY AMEREN ILLINOIS.
3. ALL EXISTING EQUIPMENT BELONGING TO AMEREN ILLINOIS WILL BE RETURNED TO AMEREN ILLINOIS BY CONTRACTOR.
4. CONTRACTOR WILL INSTALL 4 WALLPACK OUTSIDE LIGHTS, ONE ON EACH SIDE OF BUILDING. EXACT LOCATION TO BE DETERMINED BY RESIDENT ENGINEER. WALLPACK LIGHTS SHALL BE HUBBELL OUTDOOR LIGHTING PGM3 150 WATT HPS 120VAC CWA-HPF BALLAST FIXTURE OR EQUIVALENT. ONE PHOTOCELL SHALL CONTROL ALL 4 LIGHTS.
5. CONTRACTOR WILL INSTALL NEW LIGHTING CONTACTOR LOCATED INSIDE OF PUMP STATION. EXISTING LIGHTING CONTACTOR BOX WILL BECOME A JUNCTION BOX FOR THE UNDERPASS LIGHTING. NEW LIGHTING CONTACTOR WILL BE 60AMP.



FILE NAME =	USER NAME = prestonme	DESIGNED -	REVISED -	STATE OF ILLINOIS DEPARTMENT OF TRANSPORTATION	ELECTRICAL SECTIONS				F.A.P. RTE.	SECTION	COUNTY	TOTAL SHEETS	SHEET NO.
01:\pwork\pidot\prestonme\d0247326\d0247326.dwg	76e71-sh1-plan.dgn	DRAWN -	REVISED -		805	8Z-T-1	MARION	12	8				
	PLOT SCALE = 50.0000' / 1" =	CHECKED -	REVISED -		CONTRACT NO. 76E71								
	PLOT DATE = 5/18/2011	DATE -	REVISED -		ILLINOIS FED. AID PROJECT								
					SCALE:	SHEET NO.	OF	SHEETS	STA.	TO STA.			