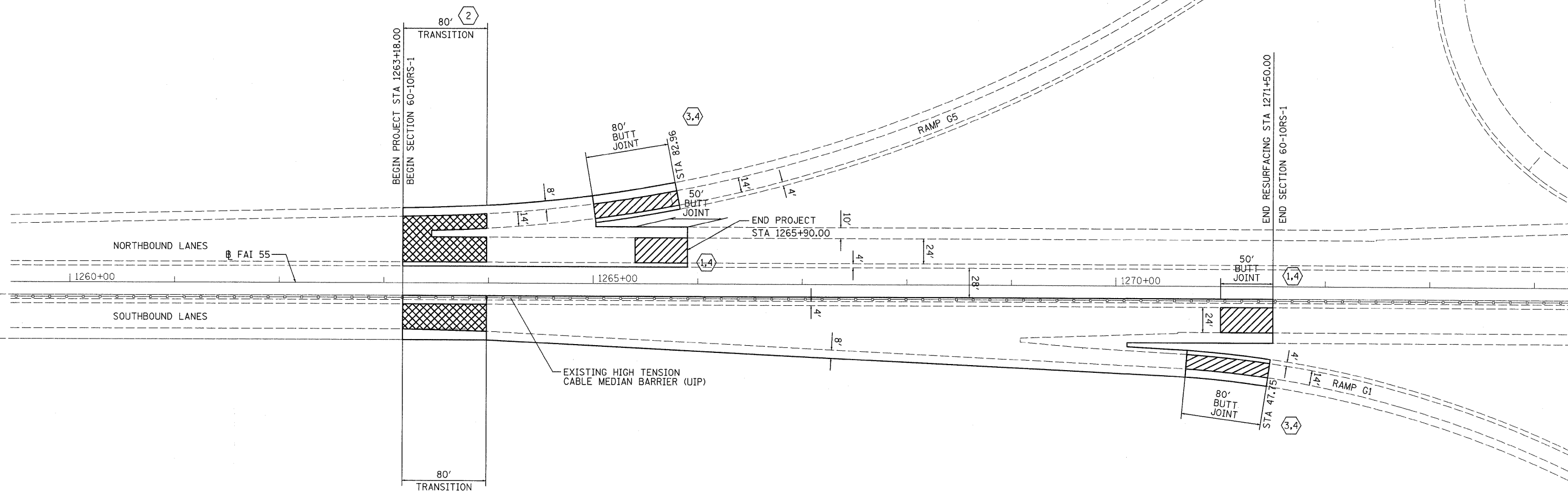


- HOT-MIX ASPHALT BUTT JOINT (SEE DETAIL)
- HOT-MIX ASPHALT PAVEMENT TRANSITION (SEE DETAIL)

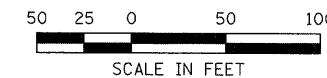


PLAN	SURVEYED	PLOTTED	CHECKED	DATE
NO.	BY	BY	BY	

PROFILE	SURVEYED	PLOTTED	CHECKED	DATE
NO.	BY	BY	BY	



(X) DENOTES A BUTT JOINT DETAIL SEE SHEET NO. 16



FILE NAME =	USER NAME = jepattibone	DESIGNED -	REVISED -	STATE OF ILLINOIS DEPARTMENT OF TRANSPORTATION		PLAN I-55 RESURFACING	F.A.I. RTE.	SECTION	COUNTY	TOTAL SHEETS	SHEET NO.
1\0906600\0906607\cad\plans\0876E94\hts-plan.dgn		DRAWN -	REVISED -				55/70	60-10W,60-1ORS-1	MADISON	29	10
PLOT SCALE = 50.0000' / IN.		CHECKED -	REVISED -				CONTRACT NO. 76E46				
PLOT DATE = 3/16/2011		DATE -	REVISED -				ILLINOIS FED. AID PROJECT				
				SCALE: 1" = 50'		SHEET NO. 1 OF 3 SHEETS		STA. 1323+00 TO STA. 1334+89			