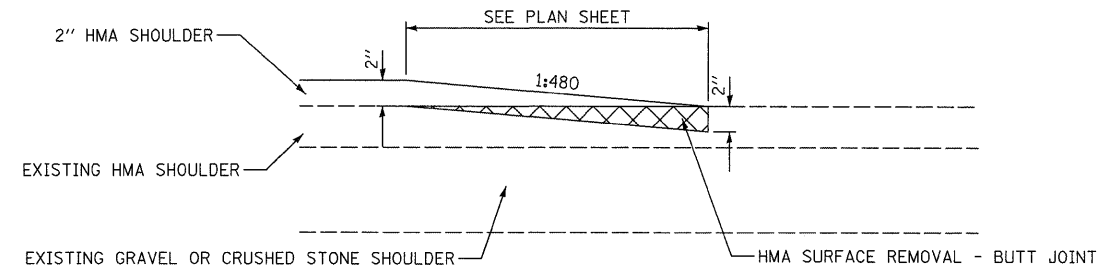


1

**BUTT JOINT DETAIL**

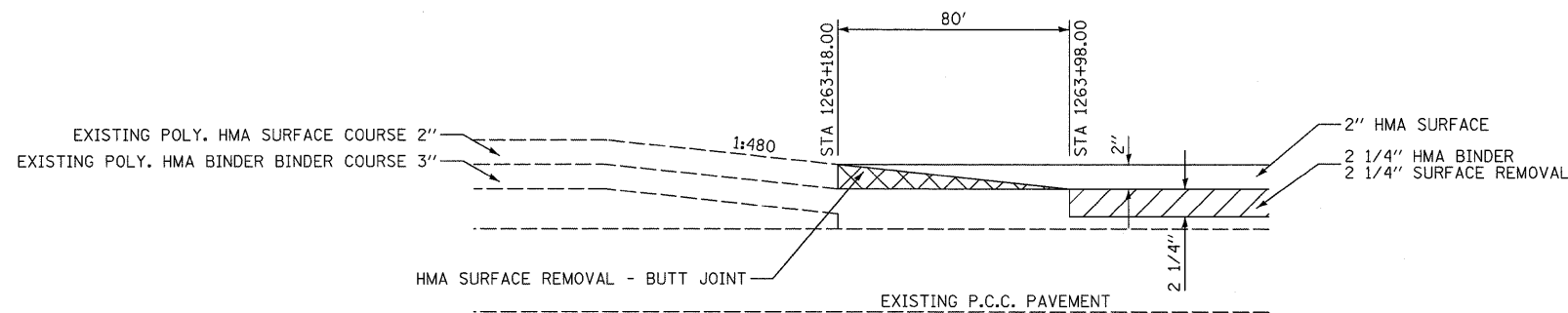
**MAINLINE WITH HOT-MIX ASPHALT SURFACE REMOVAL**  
 STA. 1265+40.00 TO STA. 1265+90.00 (NB LANES)  
 STA. 1271+00.00 TO STA. 1271+50.00 (SB LANES)



4

**BUTT JOINT DETAIL**

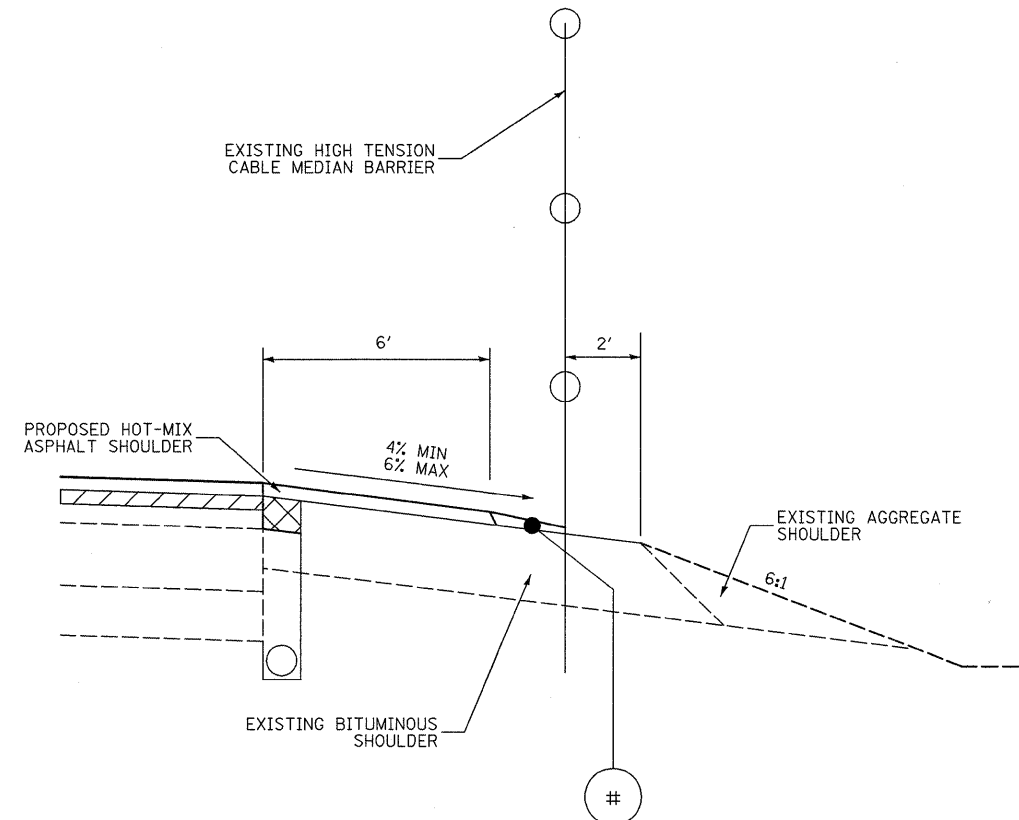
**SHOULDERS**  
 STA. 1263+18.00 TO STA. 1265+90.00 (NB LANES)  
 STA. 1263+18.00 TO STA. 1271+50.00 (SB LANES)



2

**BUTT JOINT DETAIL**

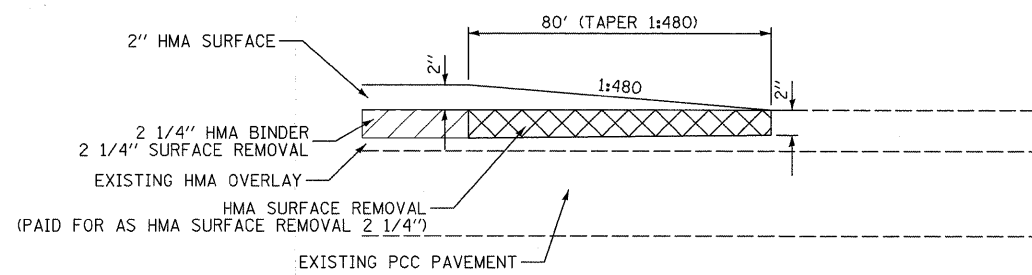
**MAINLINE WITH HOT-MIX ASPHALT SURFACE REMOVAL**  
 STA. 1263+18.00 TO STA. 1263+98.00 (NB & SB LANES)



# TAPER FROM 2" TO 3/4" IN 2' SLOPE VARIES

**HOT-MIX ASPHALT TAPER AT CABLE MEDIAN BARRIER DETAIL**

LEFT EDGE SHOULDER OF SOUTHBOUND LANES (LOOKING NORTH)



3

**BUTT JOINT DETAIL**

RAMPS

LAST SAVED = 3/15/2011  
 PEN TABLE = vb.tbl  
 PLOT DRIVER = Trc09pdf-Black.plt

FILE NAME =	USER NAME = jepettibone	DESIGNED -	REVISED -
\\0906600\0906607\cad\plans\0876E94	sh-t-details.dgn	DRAWN -	REVISED -
	PLOT SCALE = 50.0000 ' / IN.	CHECKED -	REVISED -
	PLOT DATE = 3/15/2011 8:04:50 AM	DATE -	REVISED -

STATE OF ILLINOIS  
 DEPARTMENT OF TRANSPORTATION

HORNER &  
 SHIRIN, INC  
 ENGINEERS

MISCELLANEOUS DETAILS  
 BUTT JOINT & PAVING TRANSITION DETAILS

SCALE: NONE

SHEET NO. 1 OF 2 SHEETS STA. TO STA.

F.A.I. RTE.	SECTION	COUNTY	TOTAL SHEETS	SHEET NO.
55/70	60-10W,60-10RS-1	MADISON	29	16
CONTRACT NO. 76E94			ILLINOIS FED. AID PROJECT	