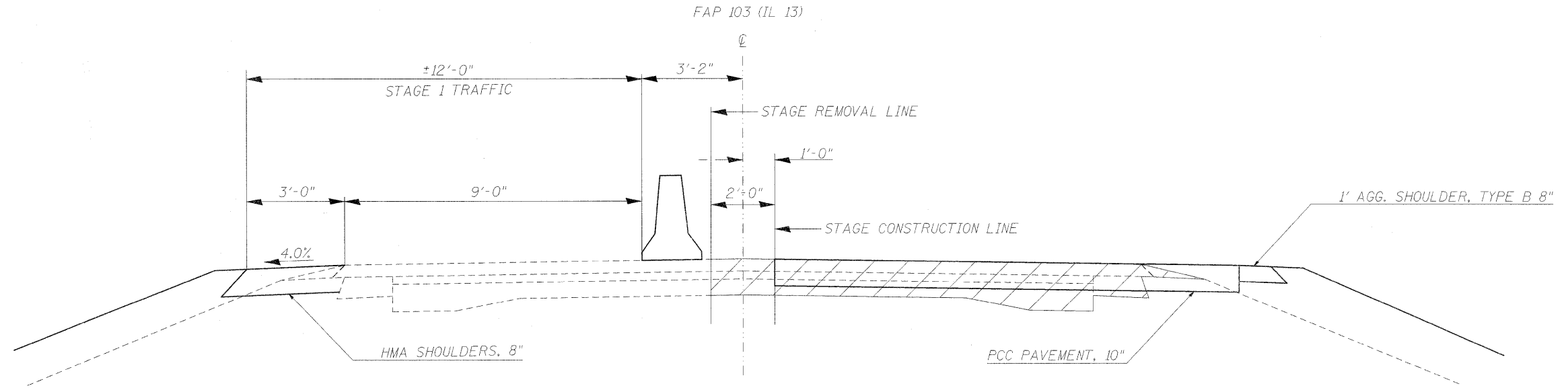
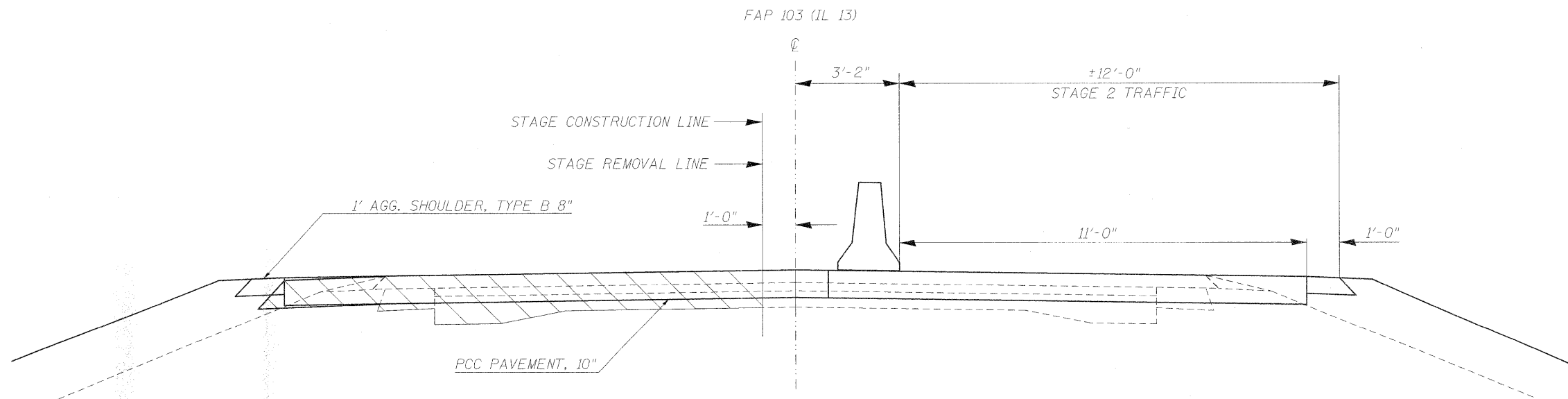


STAGE 1



STAGE 2



FILE NAME = c:\pw\work\paxidot\porterw\dm449697\d978091_sht_MISC.dgn	USER NAME = porterw	DESIGNED -	REVISED -	STATE OF ILLINOIS DEPARTMENT OF TRANSPORTATION	STAGE CONSTRUCTION DETAILS			F.A.P. RTE.	SECTION	COUNTY	TOTAL SHEETS	SHEET NO.
	PLOT SCALE = 2,0000 1 / IN.	DRAWN -	REVISED -					103	102B-1	PERRY	18	09
	PLOT DATE = 3/22/2011	CHECKED -	REVISED -		SCALE:	SHEET NO. 01 OF 01 SHEETS	STA. 428+32	TO STA. 429+00	CONTRACT NO. 78091		ILLINOIS FED. AID PROJECT	