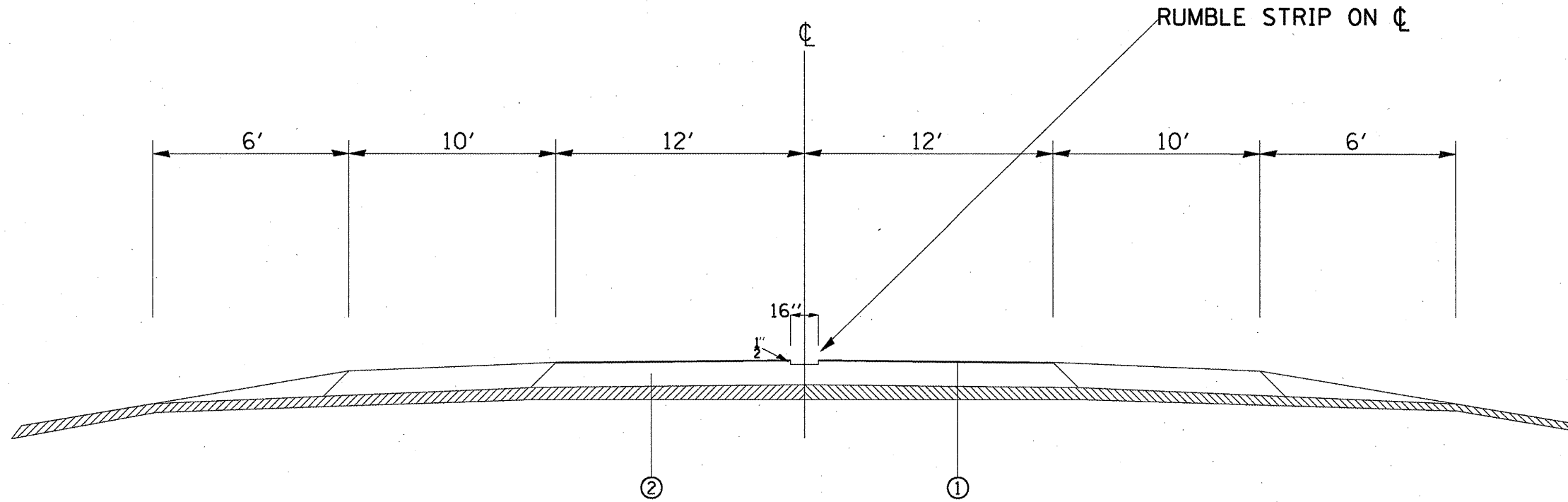


TYPICAL SECTION
 US 51 (FAP 322)
 (NOT TO SCALE)



TO BE USED:
 STA 8+283 TO STA 10+950 - METRIC
 STA 0+00 TO STA 87+50 - ENGLISH

LEGEND

- ① BITUMINOUS CONCRETE SURFACE COURSE, SUPERPAVE, MIX "D", N90, 40MM OR 1-1/2"
- ② BITUMINOUS CONCRETE BINDER COURSE, SUPERPAVE, IL-19.0, N90, 320MM OR 1'-1/2"

FILE NAME =	USER NAME = LENZINIAD	DESIGNED -	REVISED -	STATE OF ILLINOIS DEPARTMENT OF TRANSPORTATION	TYPICAL SECTION NOT TO SCALE	F.A.P. RTE.	SECTION	COUNTY	TOTAL SHEETS	SHEET NO.
et:\proj\work\proj\dot\lenziniad\0239191\7824-Design-rest.dgn	DRAWN -	REVISED -	•			(9-3.10-3.10711-1)	•	10	5	
PLOT SCALE = 1/8" = 1' / IN.	CHECKED -	REVISED -	CONTRACT NO. 78224							
PLOT DATE = 3/1/2011	DATE -	REVISED -	FED. ROAD DIST. NO. ILLINOIS FED. AID PROJECT							
						SCALE: _____	SHEET NO. 5 OF XX SHEETS	STA. _____ TO STA. _____		