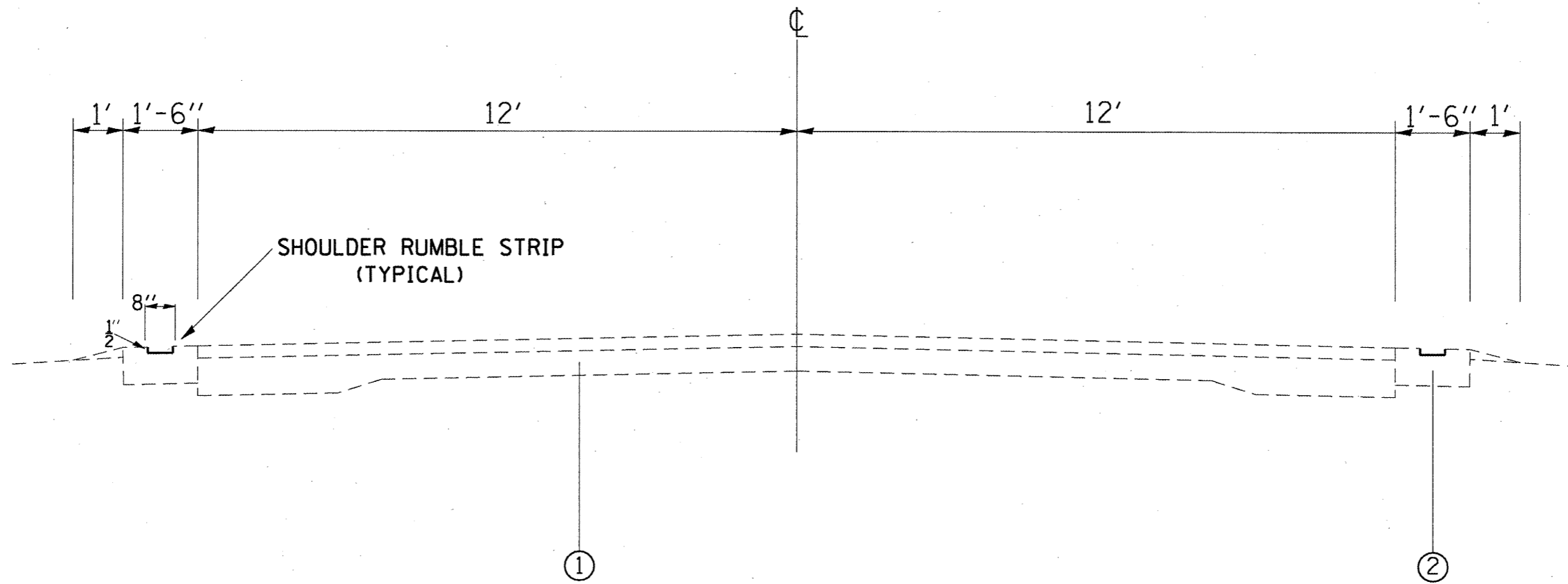


TYPICAL SECTION
 US 149 (FAP 873)
 (NOT TO SCALE)



TO BE USED:
 STA 832+32 TO STA 1238+20

LEGEND

- ① EXISTING HMA SURFACED CONCRETE PAVEMENT
- ② EXISTING 8" HMA SHOULDER

FILE NAME =	USER NAME = LENZINIAD	DESIGNED -	REVISED -	STATE OF ILLINOIS DEPARTMENT OF TRANSPORTATION	TYPICAL SECTION NOT TO SCALE	F.A.P. RTE.	SECTION	COUNTY	TOTAL SHEETS	SHEET NO.	
ct:\pw\work\p\dot\lenziniad\0239191\782	4-Design-rest.dgn	DRAWN -	REVISED -			•	(9-3.10-3.107)-1	•	10	6	
	PLOT SCALE = 1/8" = 1' / IN.	CHECKED -	REVISED -			CONTRACT NO. 78224					
	PLOT DATE = 3/8/2011	DATE -	REVISED -			FED. ROAD DIST. NO. - ILLINOIS FED. AID PROJECT					
					SCALE: _____	SHEET NO. 5 OF XX SHEETS		STA. _____ TO STA. _____			