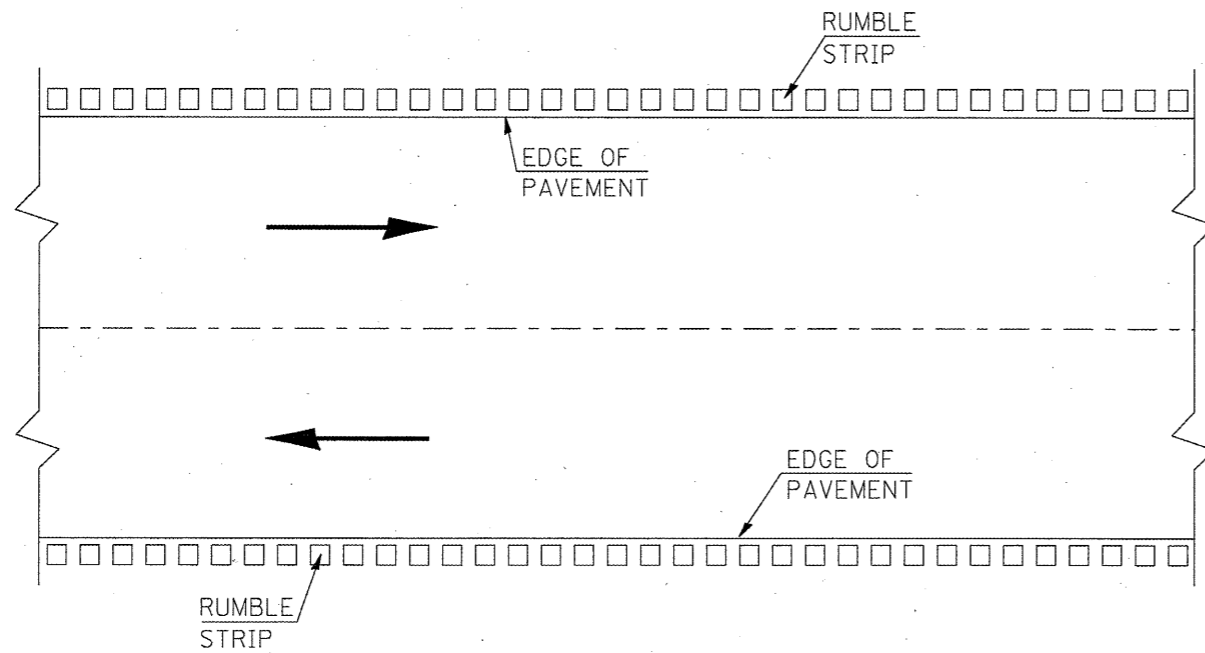
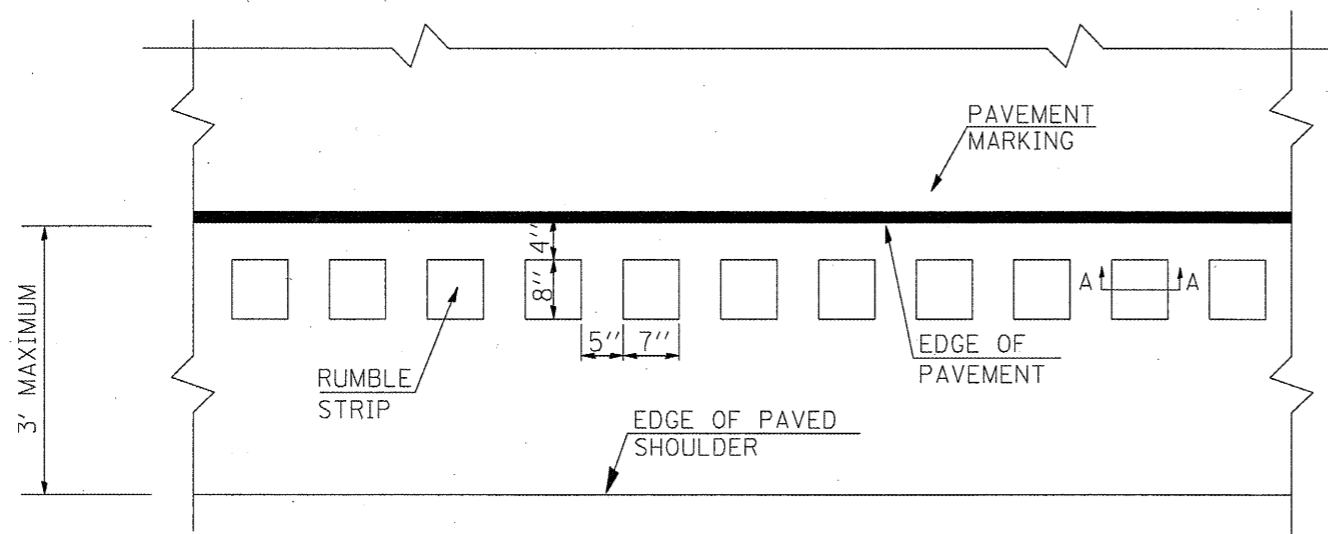


SHOULDER RUMBLE STRIP DETAIL



PLAN VIEW

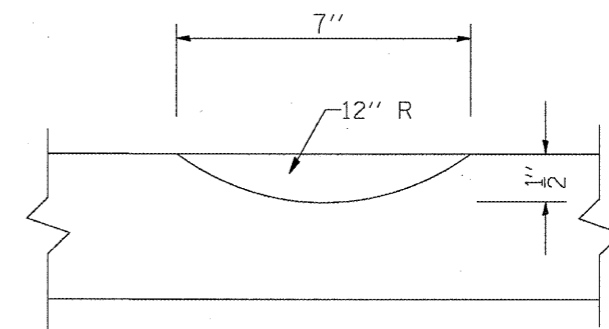


PLAN FOR RUMBLE STRIP

GENERAL NOTES

OMIT SHOULDER RUMBLE STRIPS ACROSS STRUCTURES AND SIDE ROADS.

ON PORTLAND CEMENT CONCRETE SHOULDERS, NO SHOULDER RUMBLE STRIP SHALL BE LOCATED CLOSER THAN 7" TO A TRANSVERSE JOINT.



SECTION A-A

FILE NAME =	USER NAME = LENZINIAD	DESIGNED -	REVISED -	STATE OF ILLINOIS DEPARTMENT OF TRANSPORTATION	SHOULDER RUMBLE STRIP DETAIL		F.A.P. RTE.	SECTION	COUNTY	TOTAL SHEETS	SHEET NO.
01\pwwork\pwwork\lenziniad\02239191\782	4-Design-rest.dgn	DRAWN -	REVISED -		NOT TO SCALE		•	(9-3,10-3,107)I-1	•	10	8
	PLOT SCALE = 1/8" = 1' / IN.	CHECKED -	REVISED -		SCALE: _____	SHEET NO. 5 OF XX SHEETS	STA. _____	ILLINOIS FED. AID PROJECT		CONTRACT NO. 78224	
	PLOT DATE = 3/8/2011	DATE -	REVISED -								