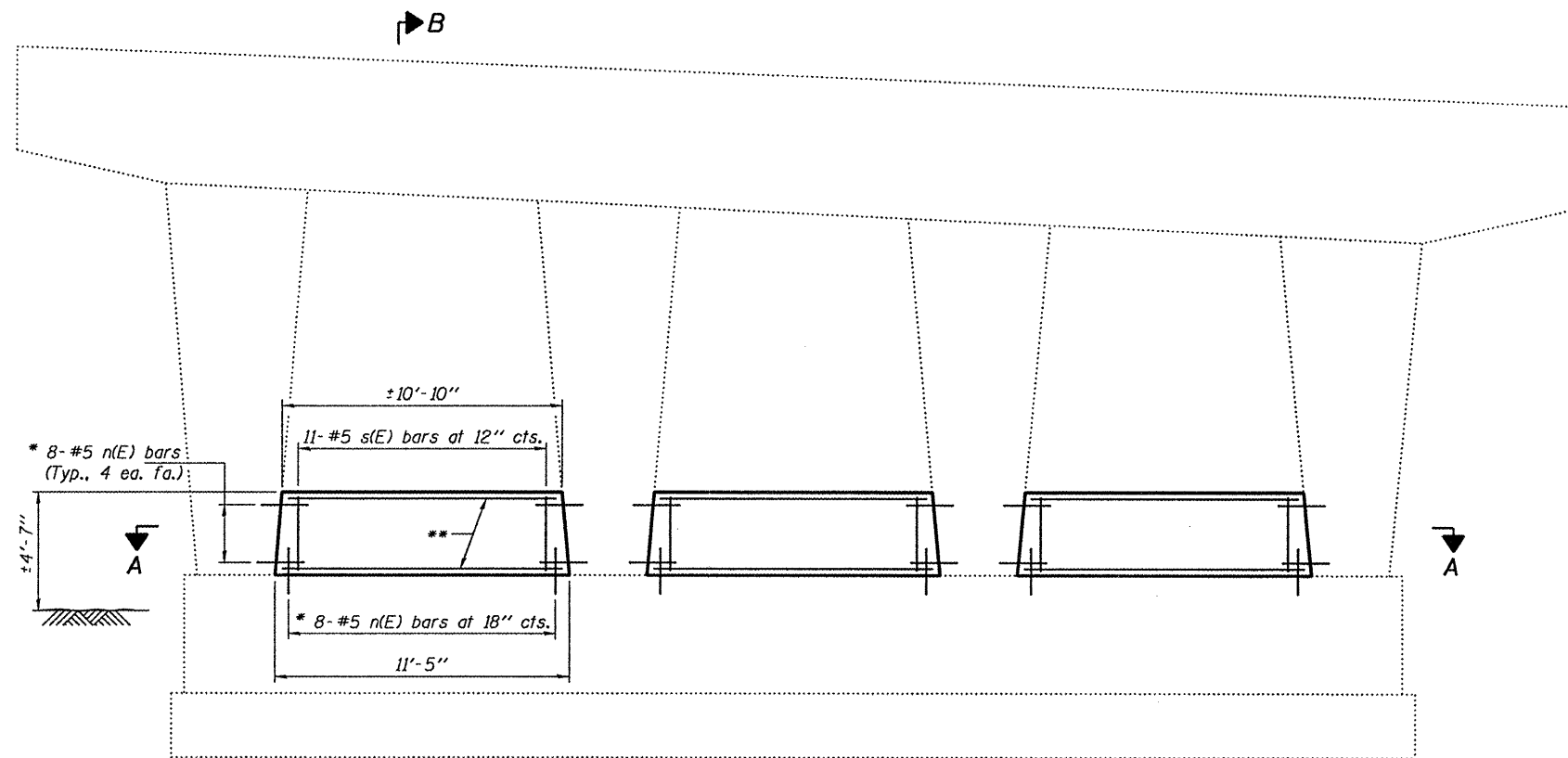


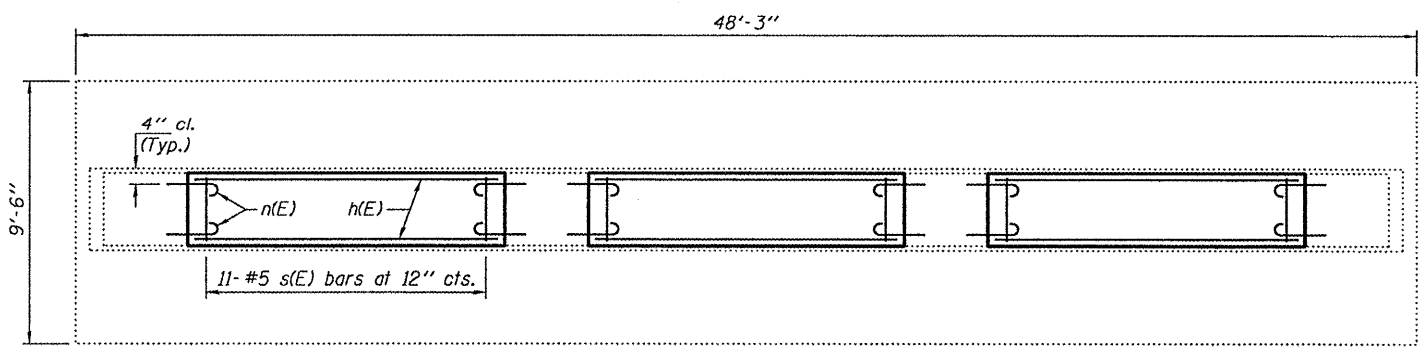
SECTION B-B



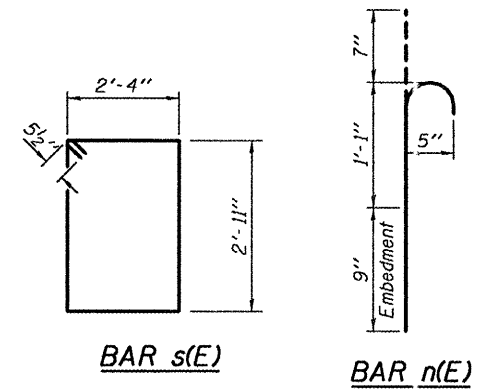
ELEVATION
Reinforcement Details typical at all locations.

* Epoxy grout n(E) bars in 9" min. holes according to Article 5B4 of the Standard Specifications.

** 9- #5 n(E) bars at 12" centers (4 ea. fa., 1 top)



SECTION A-A



BAR s(E)

BAR n(E)

BILL OF MATERIAL

Bar	No.	Size	Length	Shape	
h(E)	27	#5	11'-1"	—	
n(E)	96	#5	2'-5'	U	
s(E)	33	#5	11'-5'	□	
Concrete Structures				Cu. Yd.	10.7
Reinforcement Bars, Epoxy Coated				Pound	950

NOTES

The cost of epoxy grouting threaded rods shall be included with Reinforcement Bars, Epoxy Coated.
 Plan dimensions and details relative to existing plans are subject to nominal construction variations. The Contractor shall field verify existing dimensions and details affecting new construction and make necessary approved adjustments prior to construction or ordering of materials. Such variations shall not be cause for additional compensation for a change in scope of the work, however, the Contractor will be paid for the quantity actually furnished at the unit price bid for the work.
 Reinforcement bars shall conform to the requirements of ASTM A 706 Gr 60. See Special Provisions.
 Reinforcement bars designated (E) shall be epoxy coated.

PRE-FINAL
DATE: 2/10/2011

Expires: November 30, 2012

DESIGNED - ADY	EXAMINED	DATE - FEBRUARY 10, 2011
CHECKED - VHV	ACTING ENGINEER OF STRUCTURAL SERVICES	
DRAWN - Kyle M. Steffen	PASSED	
CHECKED - ADY VHV	ACTING ENGINEER OF BRIDGES AND STRUCTURES	

STATE OF ILLINOIS
DEPARTMENT OF TRANSPORTATION

PIER IMPROVEMENT DETAILS
SN 100-0060

F.A.I. RTE.	SECTION	COUNTY	TOTAL SHEETS	SHEET NO.
24	-	WILLIAMSON	-	43
				CONTRACT NO.
ILLINOIS FED. AID PROJECT				

SHEET NO. 1 OF 1 SHEETS