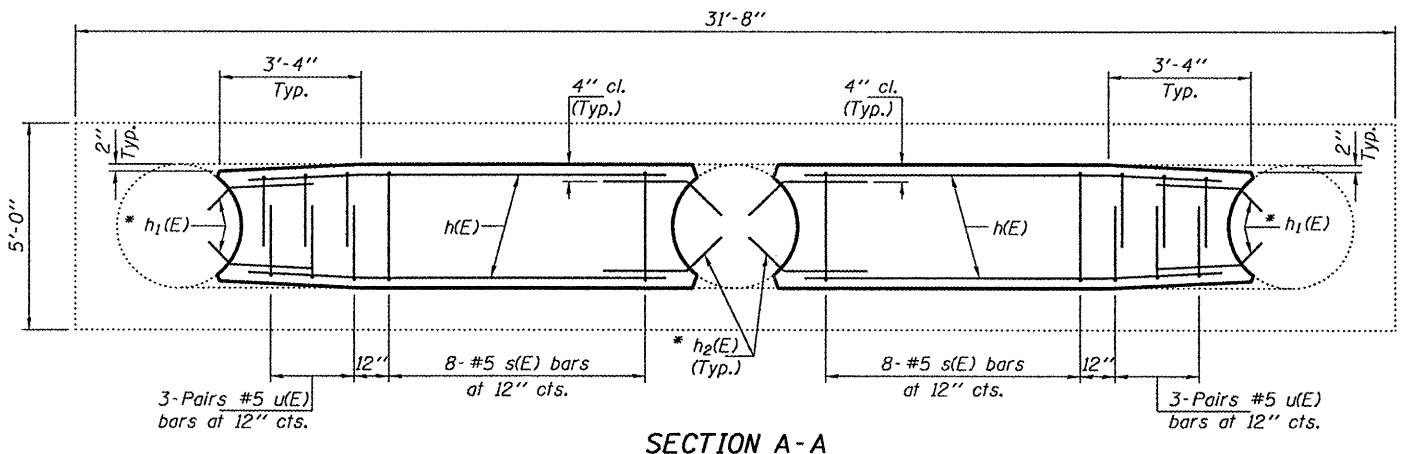


SECTION B-B

ELEVATION

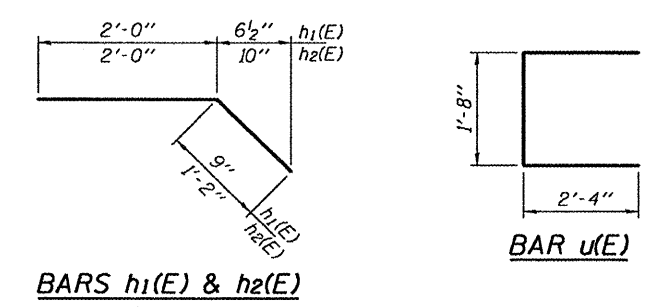
\* Epoxy grout h<sub>1</sub>(E), h<sub>2</sub>(E) & n(E) bars in 9" min. holes according to Article 584 of the Standard Specifications.



SECTION A-A

**NOTES**

The cost of epoxy grouting threaded rods shall be included with Reinforcement Bars, Epoxy Coated.  
 Plan dimensions and details relative to existing plans are subject to nominal construction variations. The Contractor shall field verify existing dimensions and details affecting new construction and make necessary approved adjustments prior to construction or ordering of materials. Such variations shall not be cause for additional compensation for a change in scope of the work, however, the Contractor will be paid for the quantity actually furnished at the unit price bid for the work.  
 Reinforcement bars shall conform to the requirements of ASTM # 706 Gr 60. See Special Provisions.  
 Reinforcement bars designated (E) shall be epoxy coated.



BARS h<sub>1</sub>(E) & h<sub>2</sub>(E)

BAR u(E)

BAR s(E)

BAR n(E)

**BILL OF MATERIAL**

Bar	No.	Size	Length	Shape
h(E)	14	#5	10'-2"	—
h <sub>1</sub> (E)	12	#5	2'-3"	—
h <sub>2</sub> (E)	12	#5	3'-2"	—
n(E)	28	#5	2'-3"	—
s(E)	16	#5	9'-"	□
u(E)	12	#5	6'-1"	□
Concrete Structures			Cu. Yd.	4.8
Reinforcement Bars, Epoxy Coated			Pound	530

**PRE-FINAL**  
 DATE: 2/10/2011

Expires: November 30, 2012

DESIGNED - ADY	EXAMINED	DATE - FEBRUARY 10, 2011	<b>STATE OF ILLINOIS DEPARTMENT OF TRANSPORTATION</b>	<b>PIER IMPROVEMENT DETAILS SN 100-0039</b>	F.A.I. RTE. 24	SECTION -	COUNTY - WILLIAMSON	TOTAL SHEETS - 44	SHEET NO. 44	
CHECKED - VHV	ACTING ENGINEER OF STRUCTURAL SERVICES									
DRAWN - Kyle M. Steffen	PASSED									
CHECKED - ADY VHV	ACTING ENGINEER OF BRIDGES AND STRUCTURES									
SHEET NO. 1 OF 1 SHEETS					ILLINOIS FED. AID PROJECT					