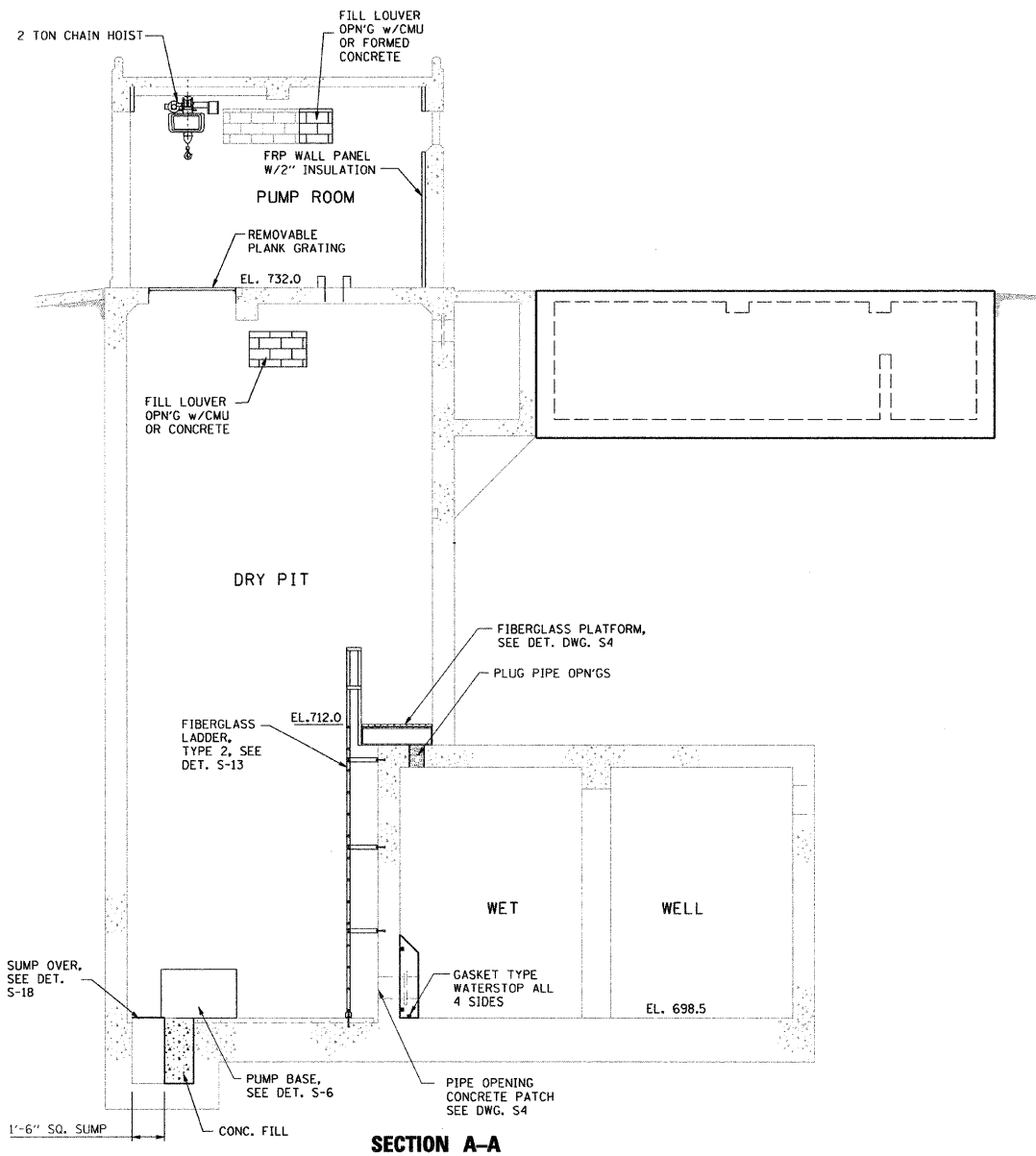
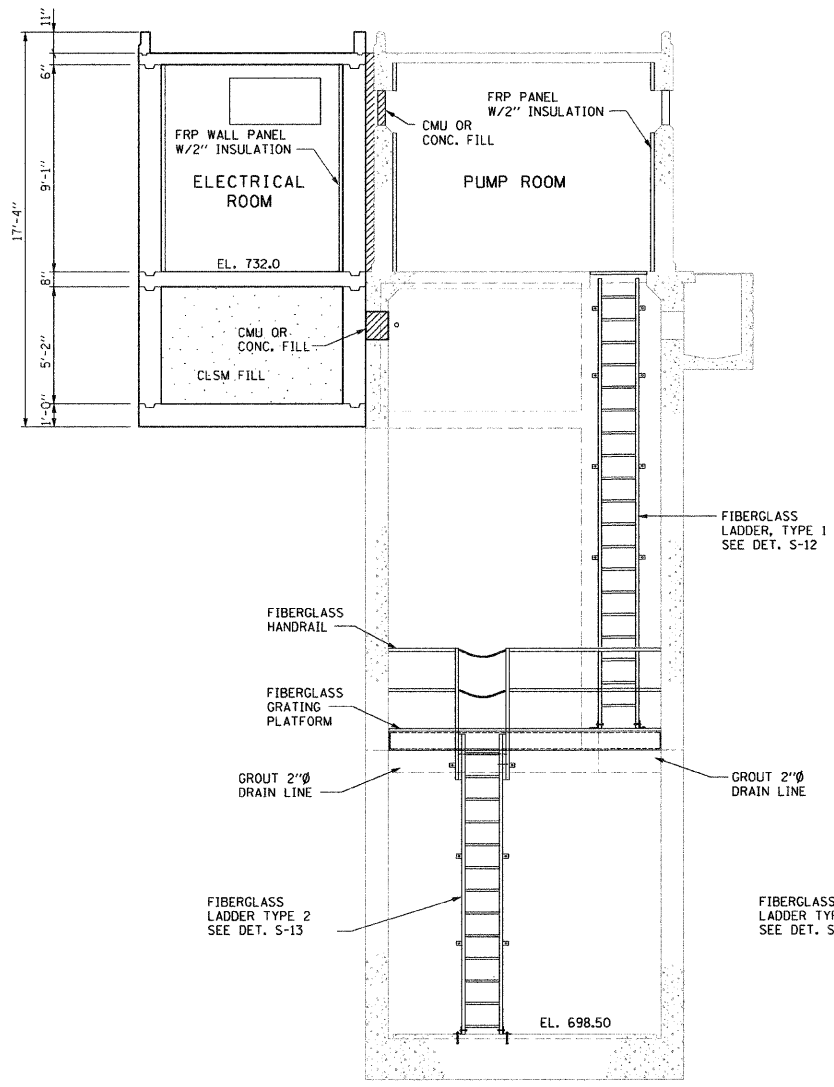


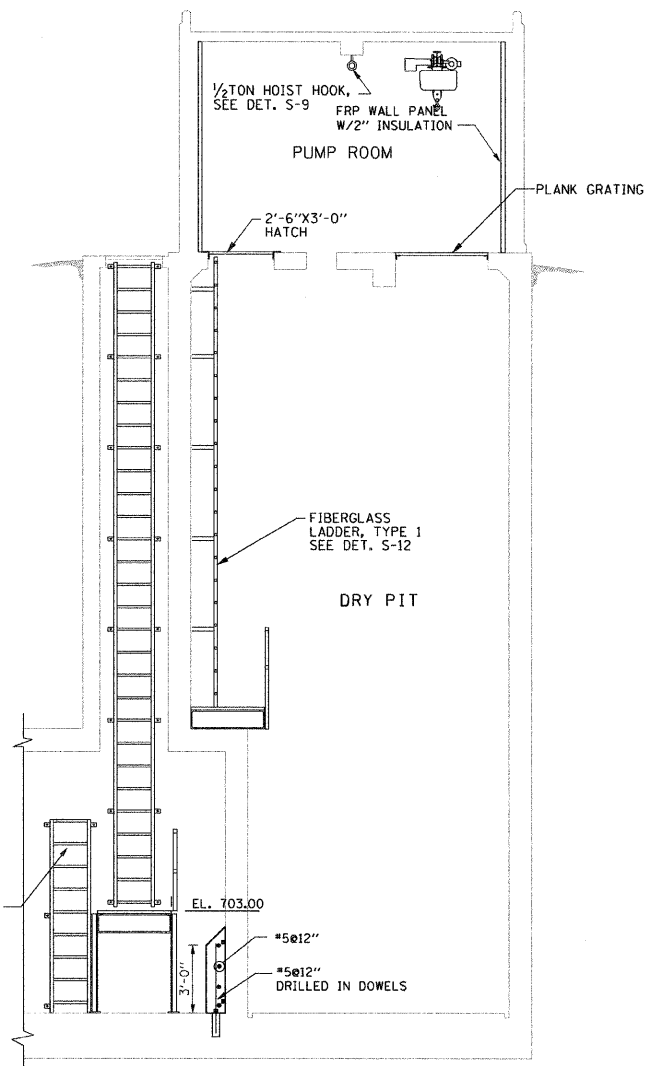
F.A.P. RTE.	SECTION	COUNTY	TOTAL SHEETS	SHEET NO.
365	59(SA, SB&SF)1	DUPAGE	39	8
FED. ROAD DIST. NO.		ILLINOIS	FED. AID PROJECT	



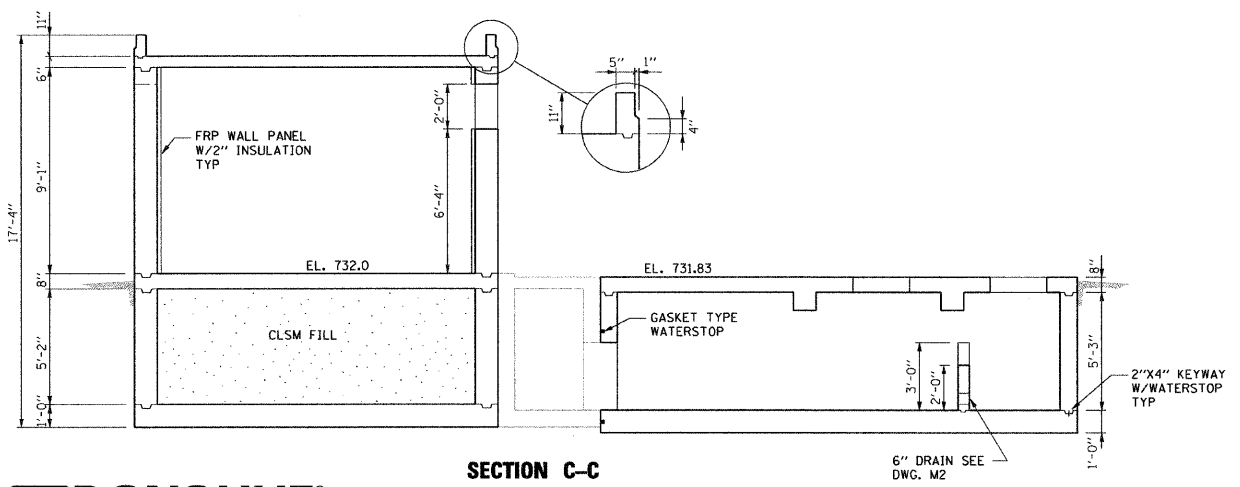
SECTION A-A



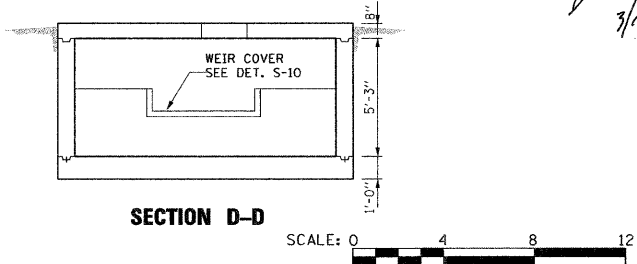
SECTION B-B



SECTION E-E



SECTION C-C



SECTION D-D



NOTE: PATCH ALL OPENINGS WHERE PIPES WERE REMOVED.

S2

REVISIONS	
NAME	DATE

ILLINOIS DEPARTMENT OF TRANSPORTATION  
PUMP STATION NO. 48  
REHABILITATION  
STRUCTURAL SECTIONS

SCALE: AS SHOWN  
DATE: 03-10-11

DRAWN BY: FL  
CHECKED BY: PJE

