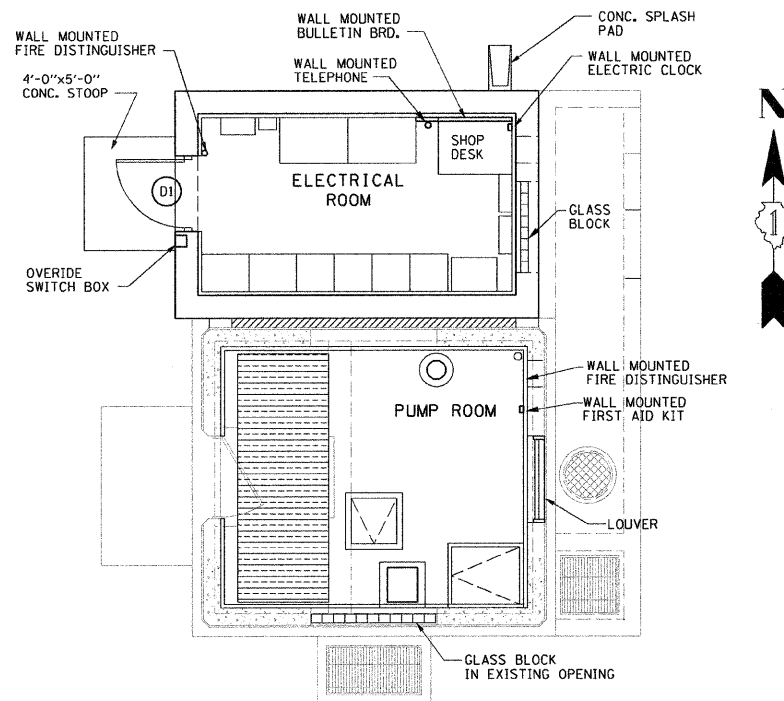


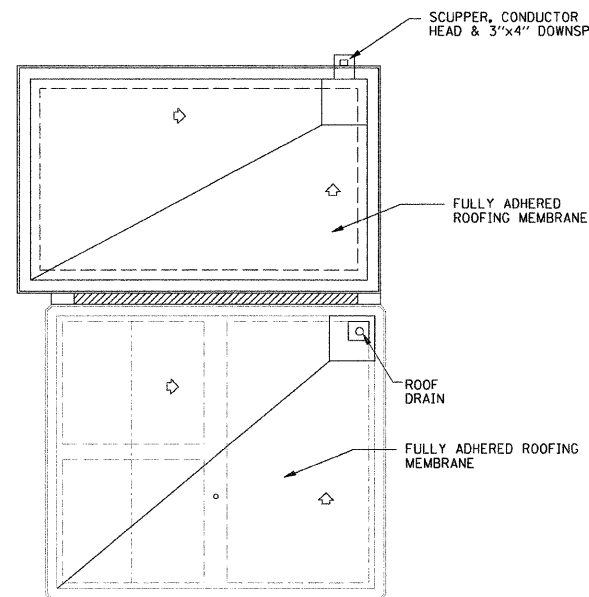
ROOM FINISH SCHEDULE					
ROOM NAME	FLOOR		CEILING		REMARKS
	FINISH	COLOR	FINISH	COLOR	
ELECTRICAL ROOM	NON-SLIP EPOXY COATING	GRAY	PAINT	WHITE	PRESENT INTERIOR/EXTERIOR PAINTED WALL AND CEILING SURFACES TO BE HAND SCRAPED OR BRUSHED TO REMOVE LOOSE PAINT. SPOT PRIME SCRAPED AREAS AND PAINT WITH COMPATIBLE PAINT. ACID WASH FLOOR BEFORE APPLYING EPOXY.
PUMP ROOM	NON-SLIP EPOXY COATING	GRAY	PAINT	WHITE	

DOOR SCHEDULE					
DOOR NO.	SIZE	MATERIAL	FRAME	FINISH	REMARKS
D1	DOOR 3'-0" W x 7'-0" H x 1-3/4" W/INSULATED TRANSOM FOR LOUVER AS REQ'D	INSULATED FLUSH ALUMINUM	2" ALUMINUM	CLEAR ANODIZED	

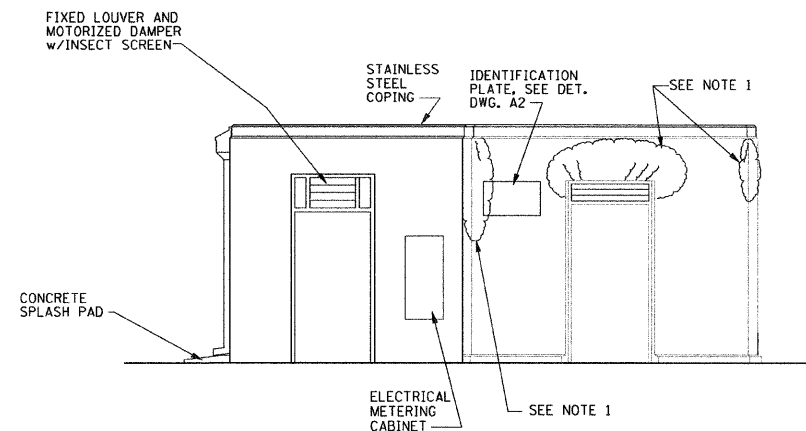
NOTE: FIELD MEASURE ALL EXISTING OPENINGS PRIOR TO FABRICATION



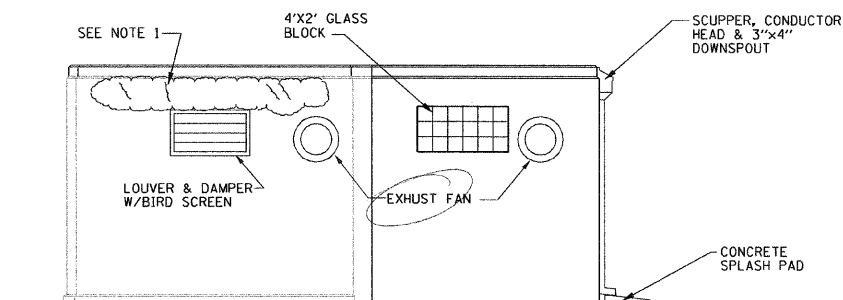
FLOOR PLAN @ EL. 732.0



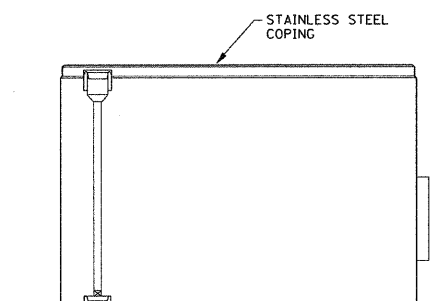
ROOF PLAN



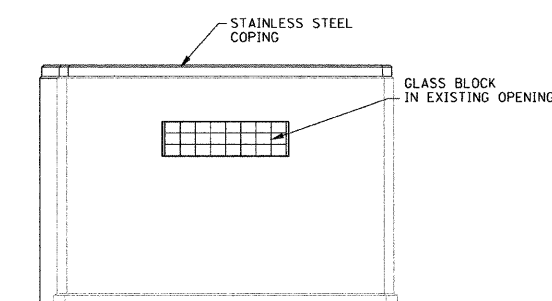
WEST ELEVATION



EAST ELEVATION



NORTH ELEVATION



SOUTH ELEVATION

NOTE:

- EPOXY GROUT REPAIR CRACKS IN EXISTING CONCRETE WALL AS INDICATED. GRIND SMOOTH SURFACE TO MATCH EXISTING.
- PAINT NEW AND EXISTING EXTERIOR CONCRETE WALL SURFACES. COLOR AS SPECIFIED IN PAINTING SECTION.

A1

REVISIONS	
NAME	DATE

ILLINOIS DEPARTMENT OF TRANSPORTATION
PUMP STATION NO. 48
REHABILITATION
ARCHITECTURAL PLANS,
ELEVATIONS & SCHEDULES

SCALE: AS SHOWN
DATE: 03-10-11

DRAWN BY: FL
CHECKED BY: PJE

