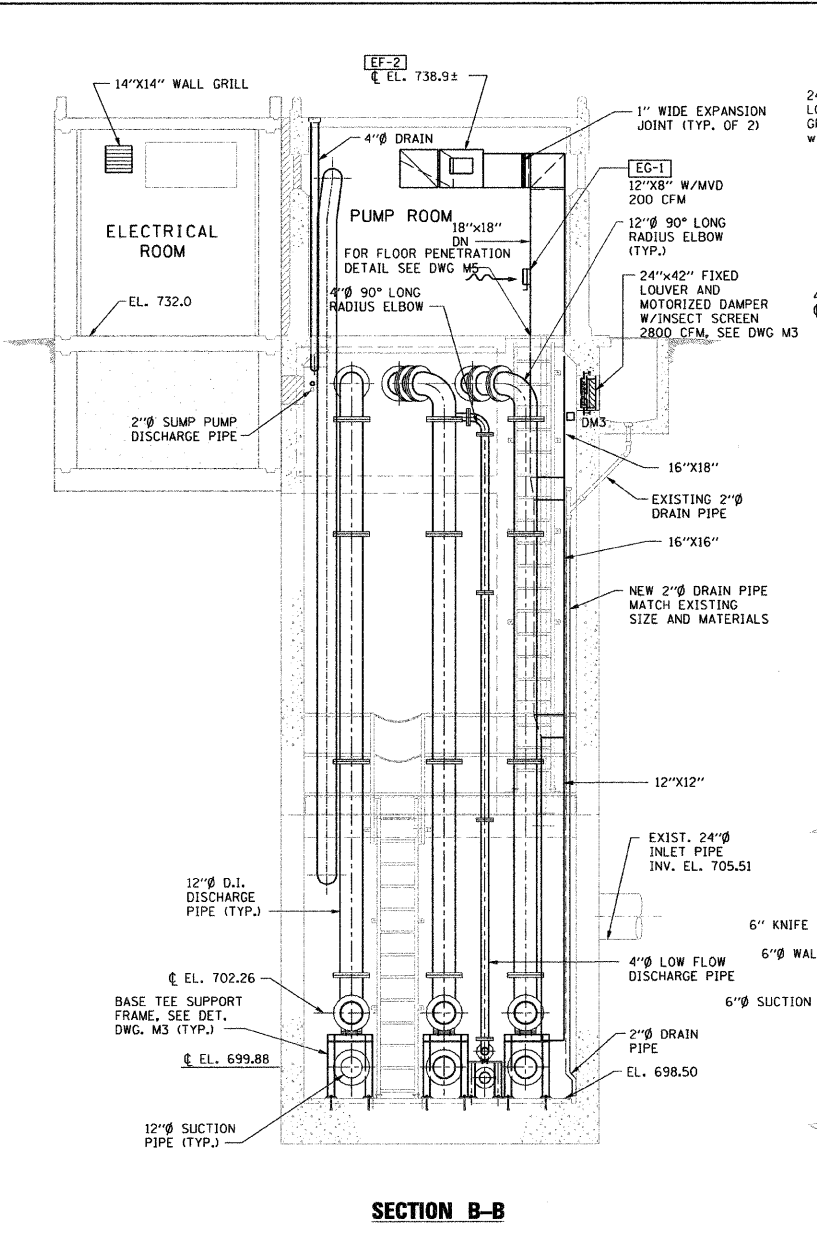
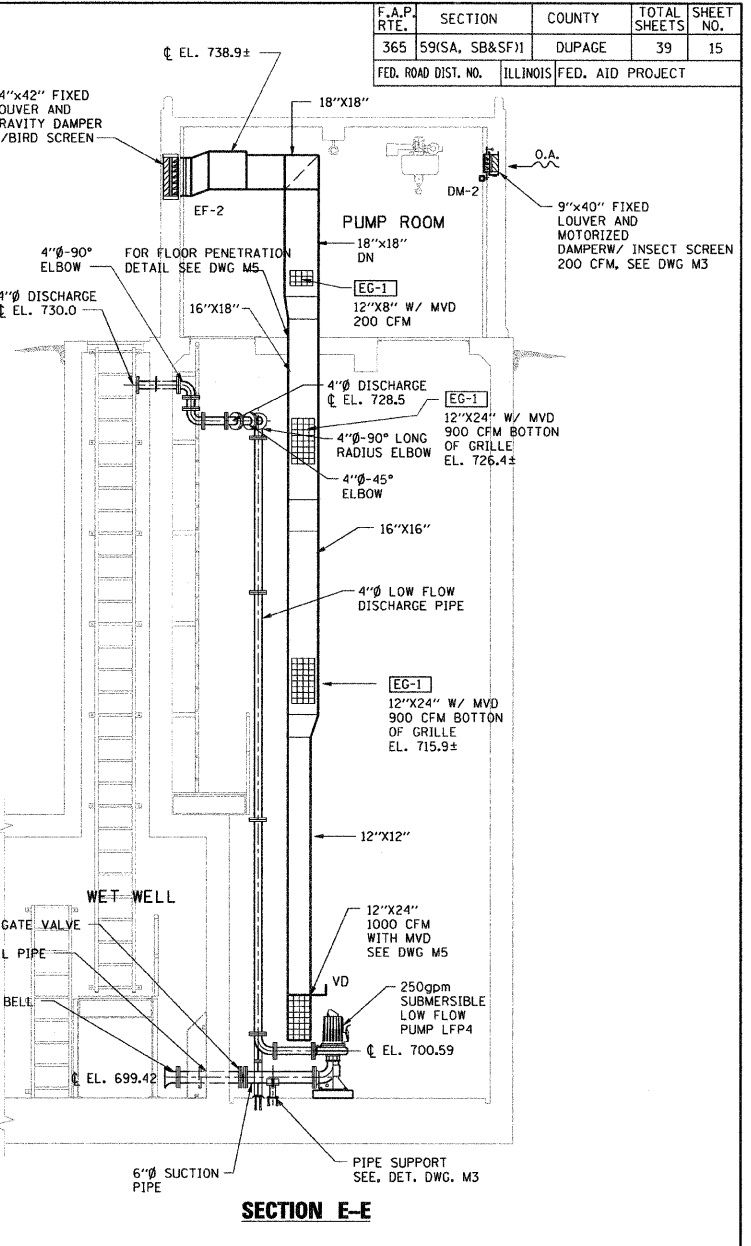


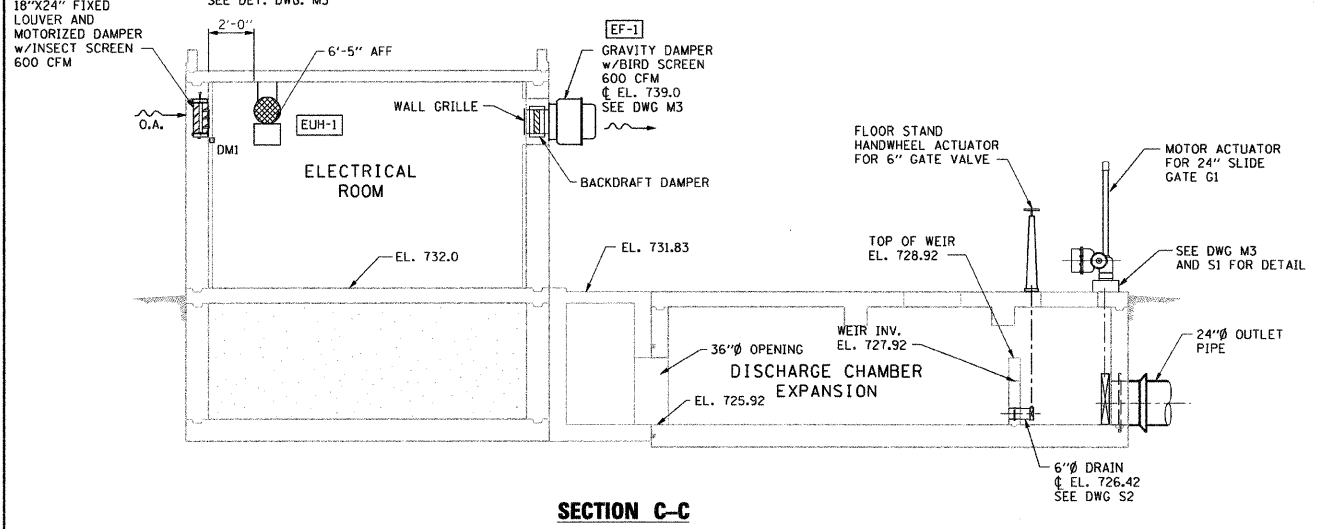
SECTION A-A



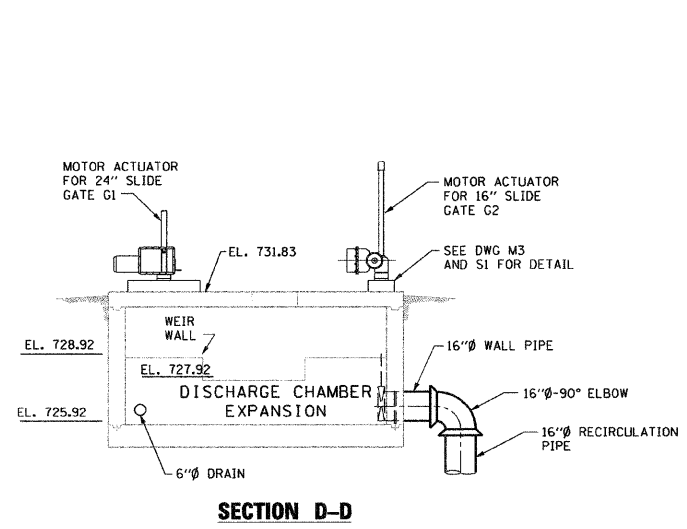
SECTION B-B



SECTION E-E



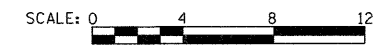
SECTION C-C



SECTION D-D

HEAD OVER WEIR IN INCH	LEVEL ABOVE BOTTOM IN FOOT (FT.)	FLOW RATE IN GPM
0	2.00	0
1	2.08	144.62
2	2.17	409.05
3	2.25	756.00
4	2.33	1162.19
5	2.42	1622.75
6	2.50	2138.29
7	2.58	2692.25
8	2.67	3287.18
9	2.75	3928.29
10	2.83	4598.11
11	2.92	5310.87
12	3.00	6048.00

- NOTE:**
1. WET WELL SHALL BE CLASS 1, DIVISION 1 GROUP D EXPLOSION PROOF.
 2. ALL STAINLESS STEEL FEILD WELDING SHOULD BE PASSIVATED.



M2

REVISIONS	
NAME	DATE

ILLINOIS DEPARTMENT OF TRANSPORTATION
**PUMP STATION NO. 48
 REHABILITATION**
MECHANICAL SECTIONS
 SCALE: AS SHOWN
 DATE: 03-10-11
 DRAWN BY: HFF
 CHECKED BY: KHC