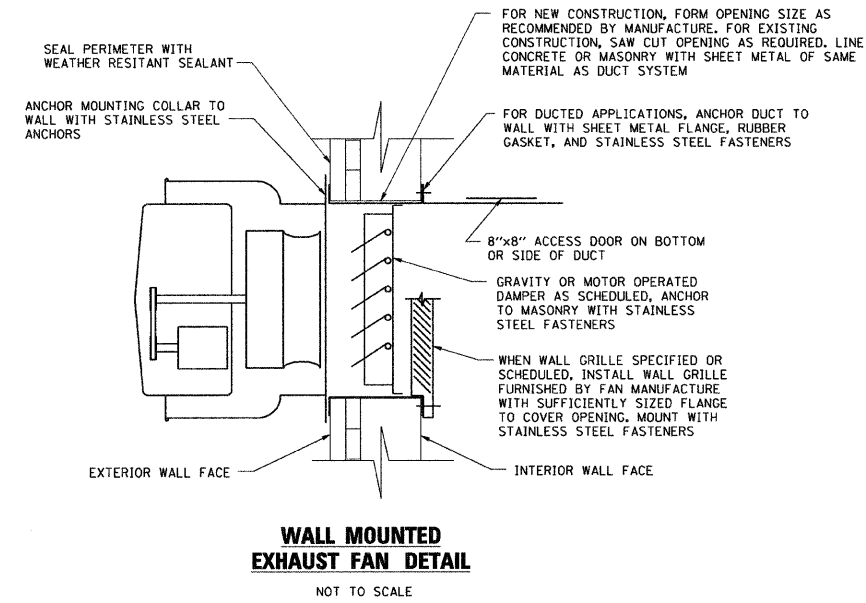
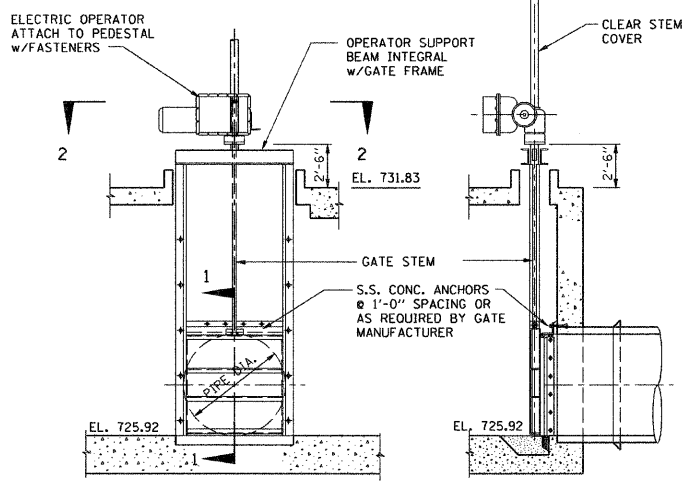


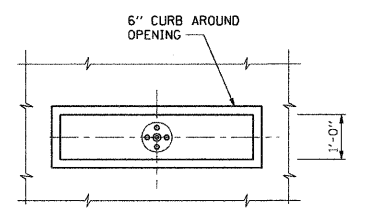
F.A.P. RTE.	SECTION	COUNTY	TOTAL SHEETS	SHEET NO.
365	59(SA, SB&SF)1	DUPAGE	39	16
FED. ROAD DIST. NO.		ILLINOIS FED. AID PROJECT		



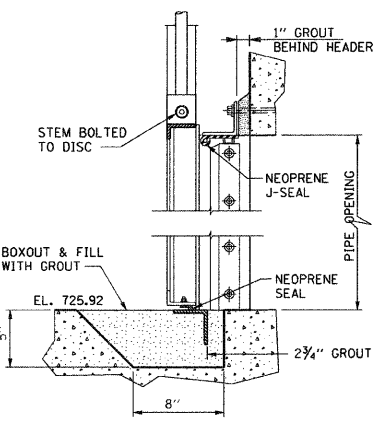
WALL MOUNTED EXHAUST FAN DETAIL
NOT TO SCALE



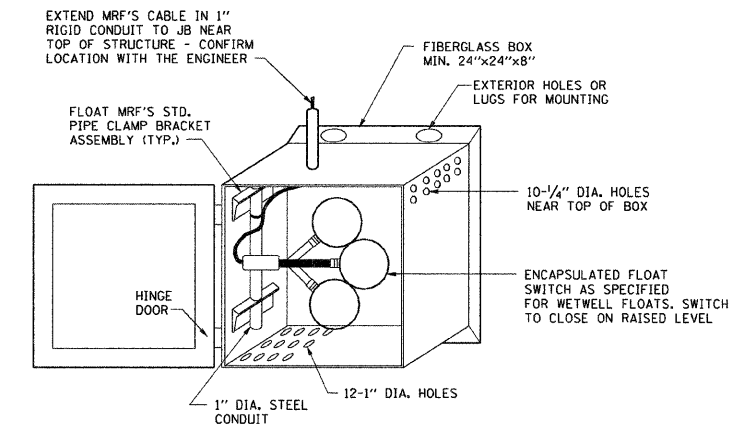
FRONT ELEVATION SIDE ELEVATION
24\"/>



SECTION 2-2

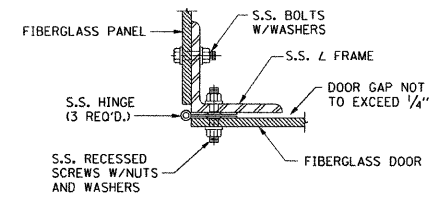


SECTION 1-1

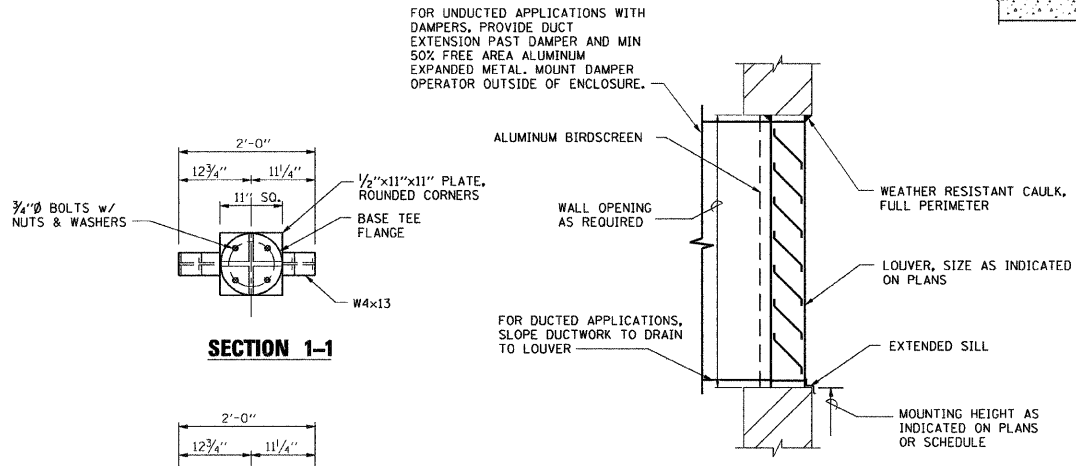


FLOAT ALARM BOX

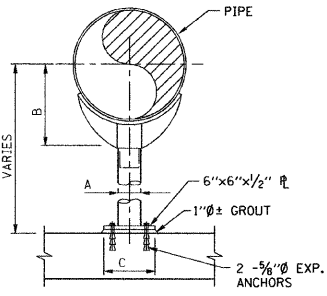
NOT TO SCALE



STAINLESS STEEL DOOR HINGE DETAIL
N.T.S.

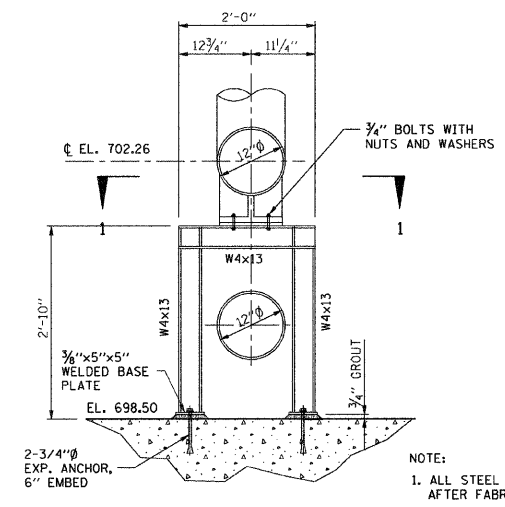


TYPICAL LOUVER DETAIL
NOT TO SCALE

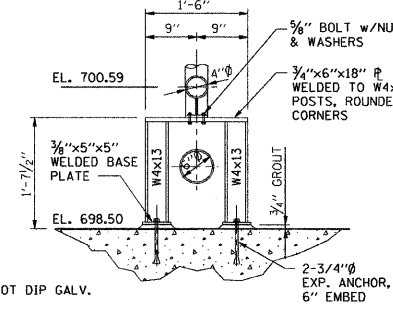


TYPICAL PIPE SUPPORT
NOT TO SCALE

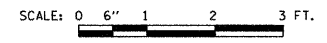
PIPE SIZE	SUPPORT DIMENSION		
	A	B	C
6"	3"	5 1/2"	6"
12"	3"	9 3/4"	6"



12\"/>

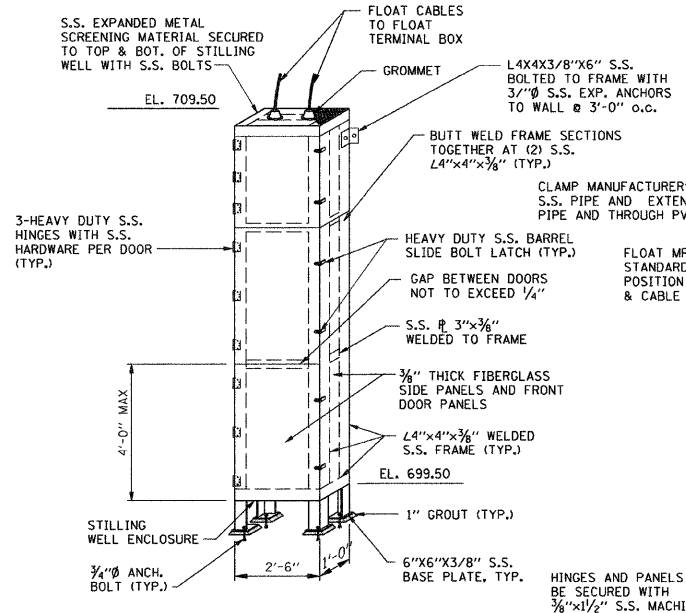


4\"/>

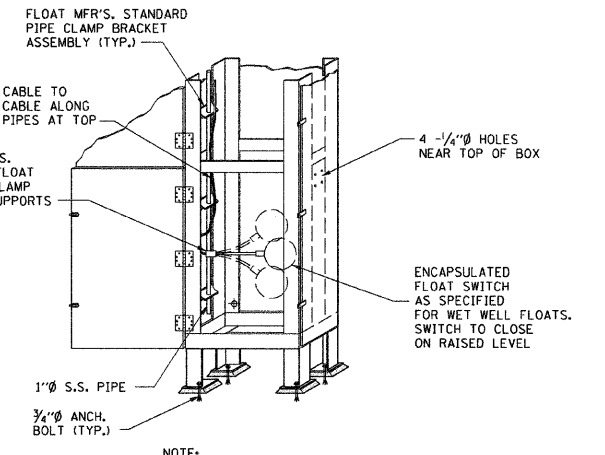


NOTE:
1. ALL STEEL SHALL BE HOT DIP GALV. AFTER FABRICATION.

NOTE:
1. SUPPORTS SHALL BE CUSTOM FABRICATED FOR LOW FLOW AND HIGH FLOW PUMP.



FLOAT STILLING WELL DETAIL FOR PUMP FLOAT CONTROL
N.T.S.



ENLARGED FLOAT DETAIL IN STILLING WELL ENCLOSURES
N.T.S.

NOTE:
CONTRACTOR SHALL SUBMIT DETAILED SHOP DRAWING FOR ENGINEER APPROVAL.

M3

REVISIONS	
NAME	DATE

ILLINOIS DEPARTMENT OF TRANSPORTATION
PUMP STATION NO. 48
REHABILITATION
MECHANICAL DETAILS
SCALE: AS SHOWN
DATE: 03-10-11
DRAWN BY: HFF
CHECKED BY: KHC

