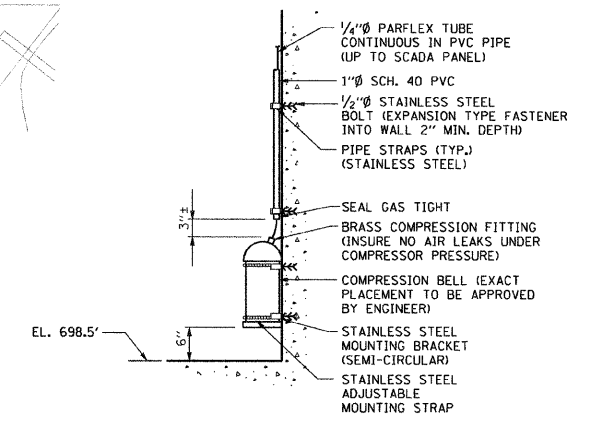
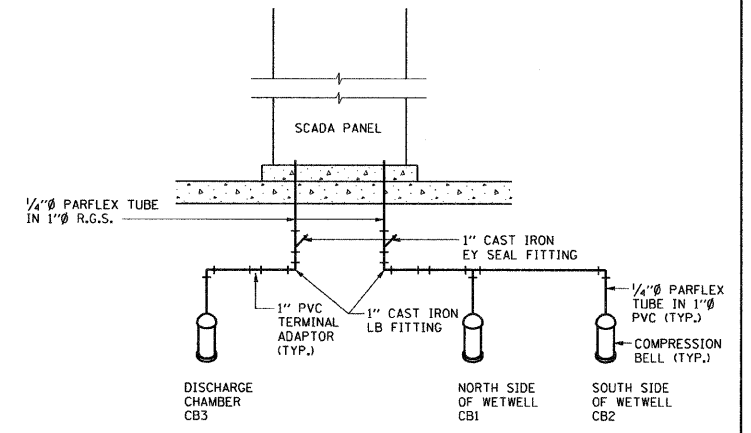
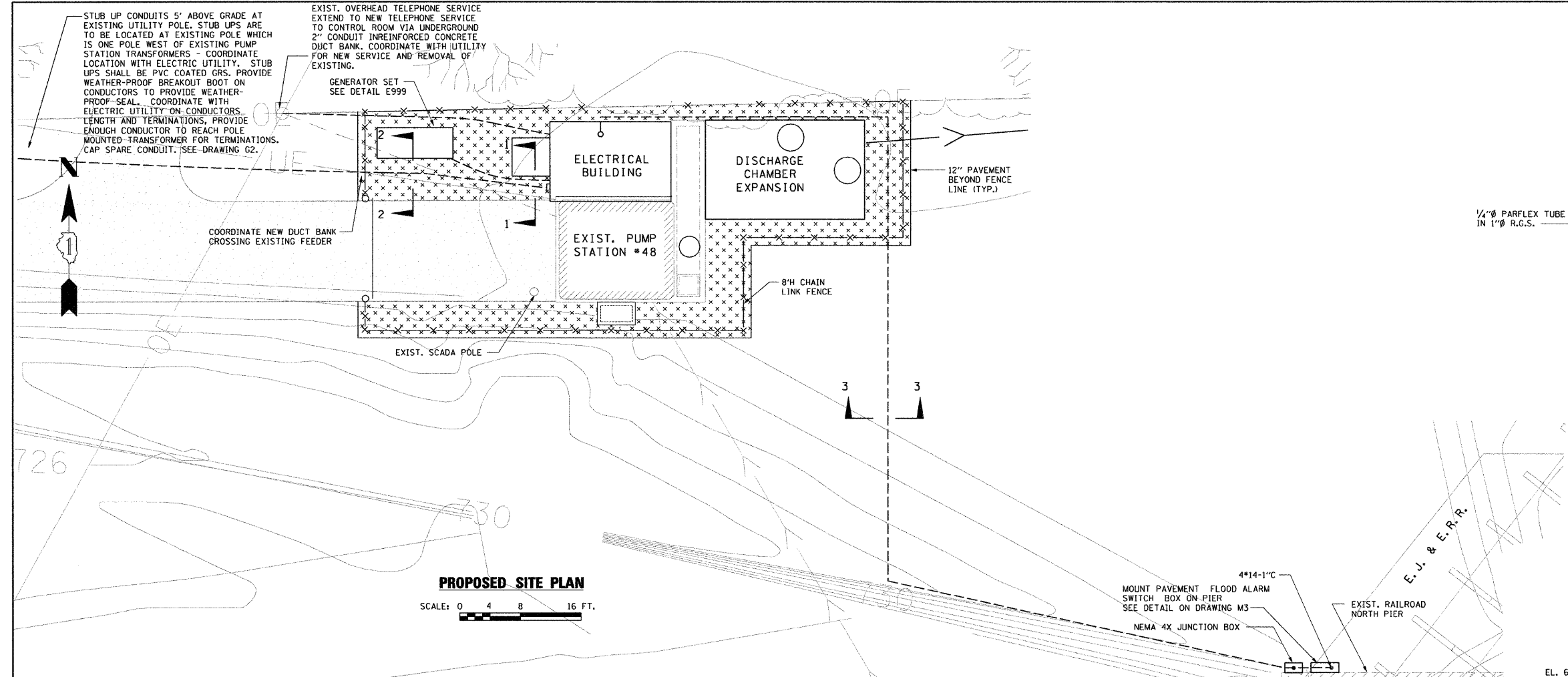
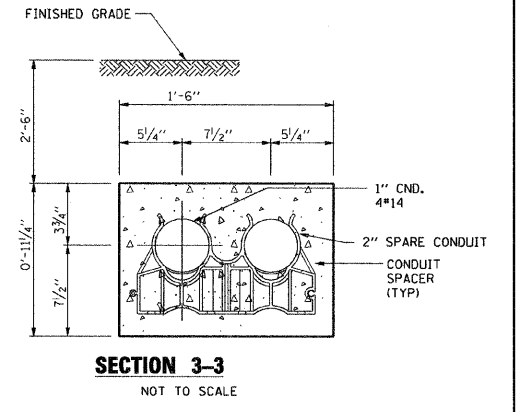
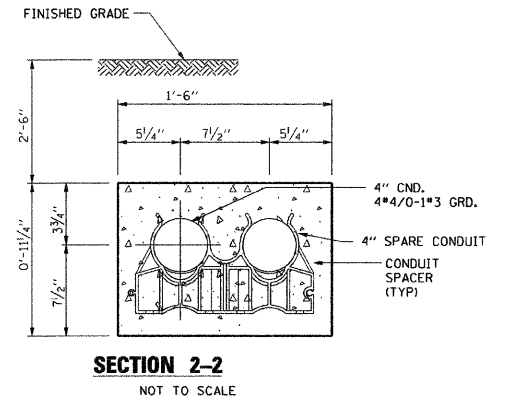
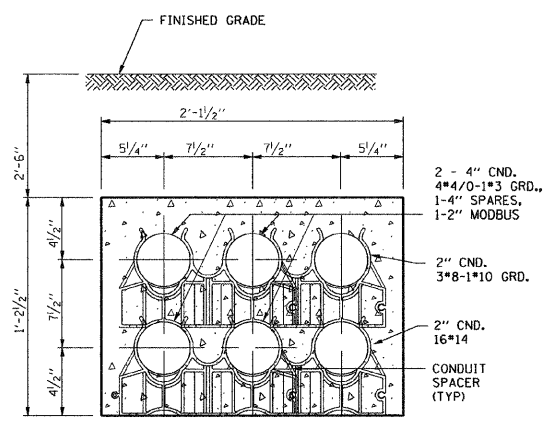
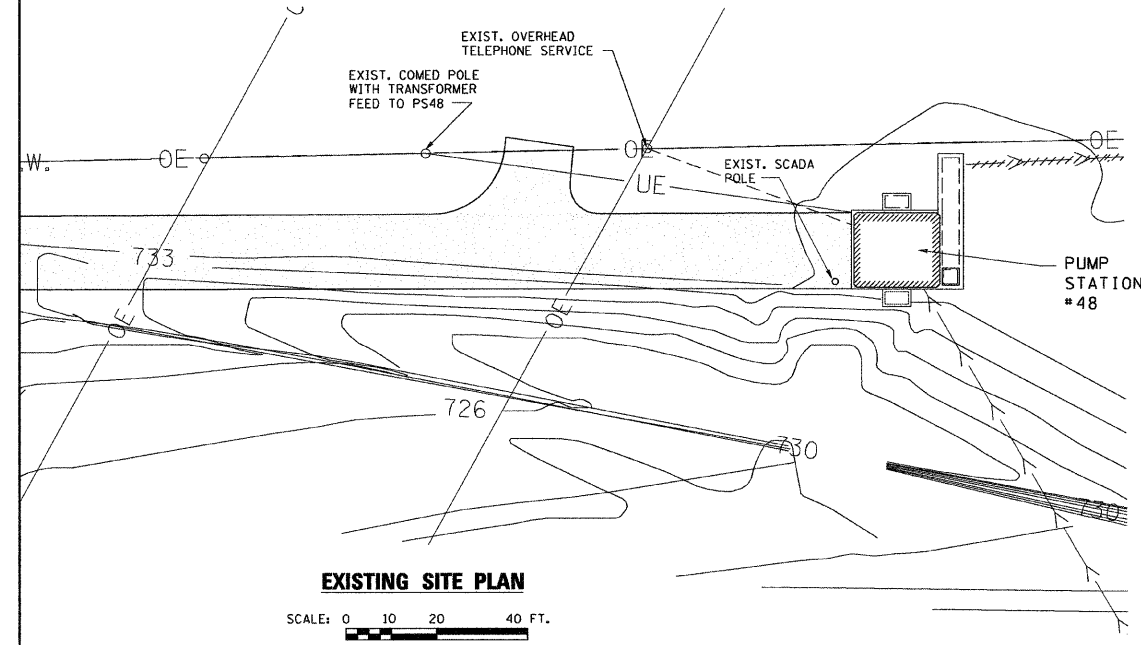


F.A.P. RTE.	SECTION	COUNTY	TOTAL SHEETS	SHEET NO.
365	59(SA, SB&SF)1	DUPAGE	39	20
FED. ROAD DIST. NO.		ILLINOIS FED. AID PROJECT		



- NOTE:
- FOR ADDITIONAL INFORMATION SEE G DWGS.
 - ALL STEEL SUPPORT FRAMING MEMBERS AND PLATES SHALL BE HOT DIP GALVANIZED AFTER FABRICATION. FIELD CUT EDGES SHALL BE COLD GALVANIZED. ALL CONNECTING BOLTS AND HARDWARES SHALL BE STAINLESS STEEL.
 - THE LOCATION OF ALL SCADA COMPRESSION BELLS MUST BE SUBMITTED TO THE ENGINEER PRIOR TO INSTALLATION FOR REVIEW AND COMMENT. THE COMPRESSION BELL SHALL NOT BE INSTALLED WITHOUT THE APPROVAL OF THE ENGINEER.



E2

REVISIONS	
NAME	DATE

ILLINOIS DEPARTMENT OF TRANSPORTATION

PUMP STATION NO. 48
REHABILITATION

ELECTRICAL SITE PLANS

SCALE: AS SHOWN
DATE: 03-10-11

DRAWN BY: HFF
CHECKED BY: MS

