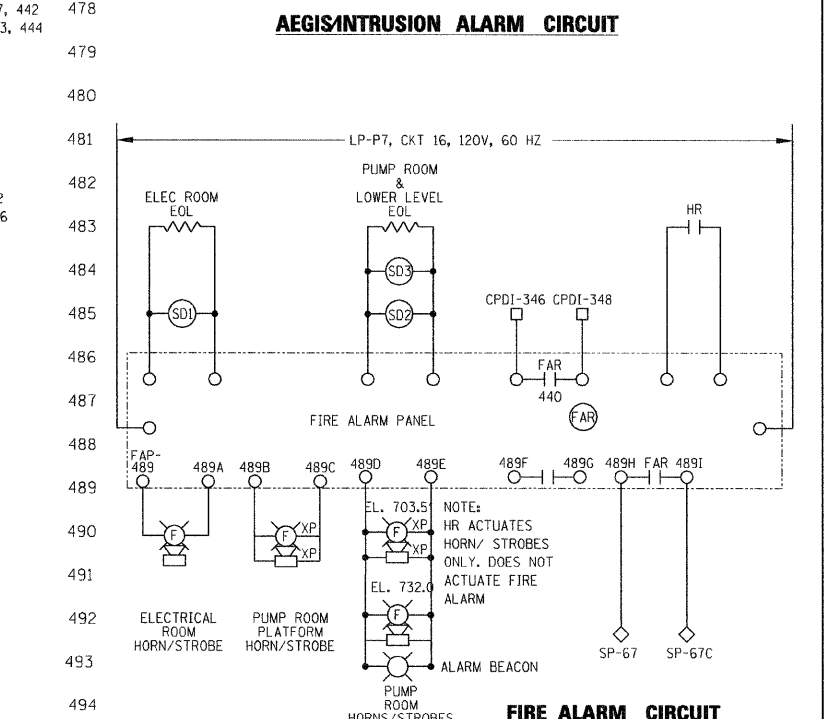
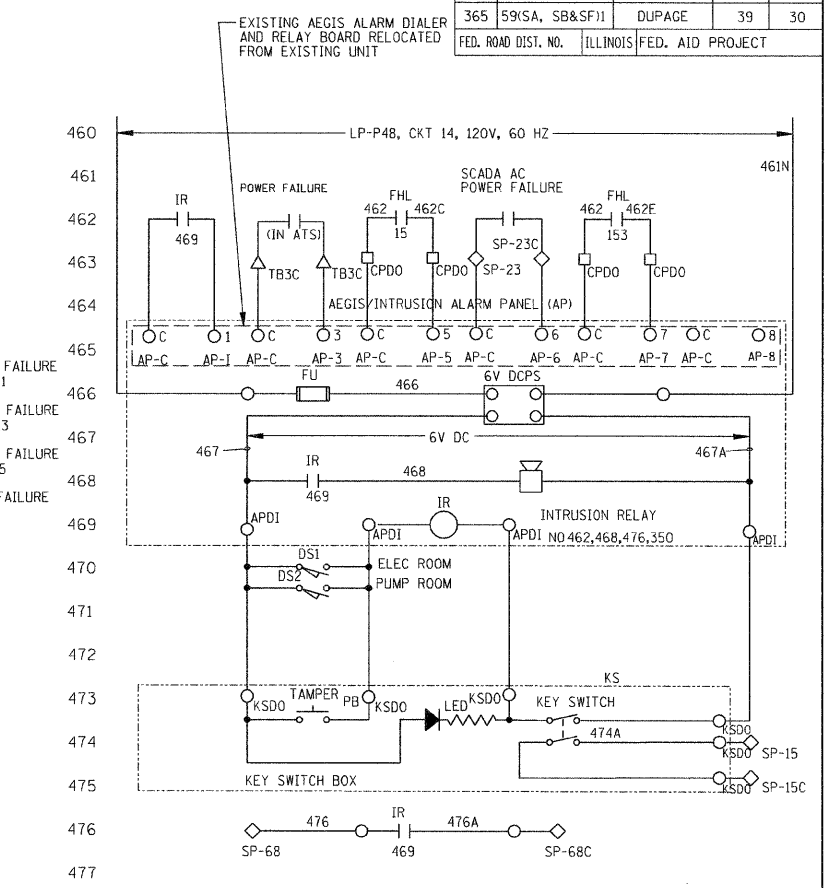
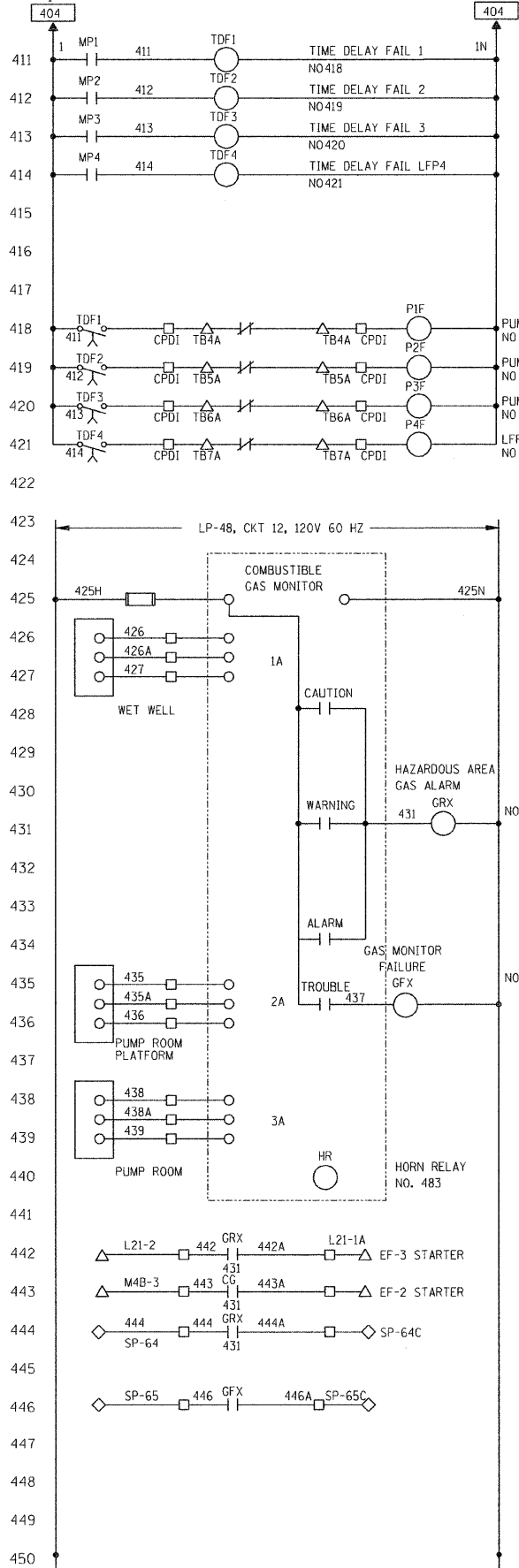
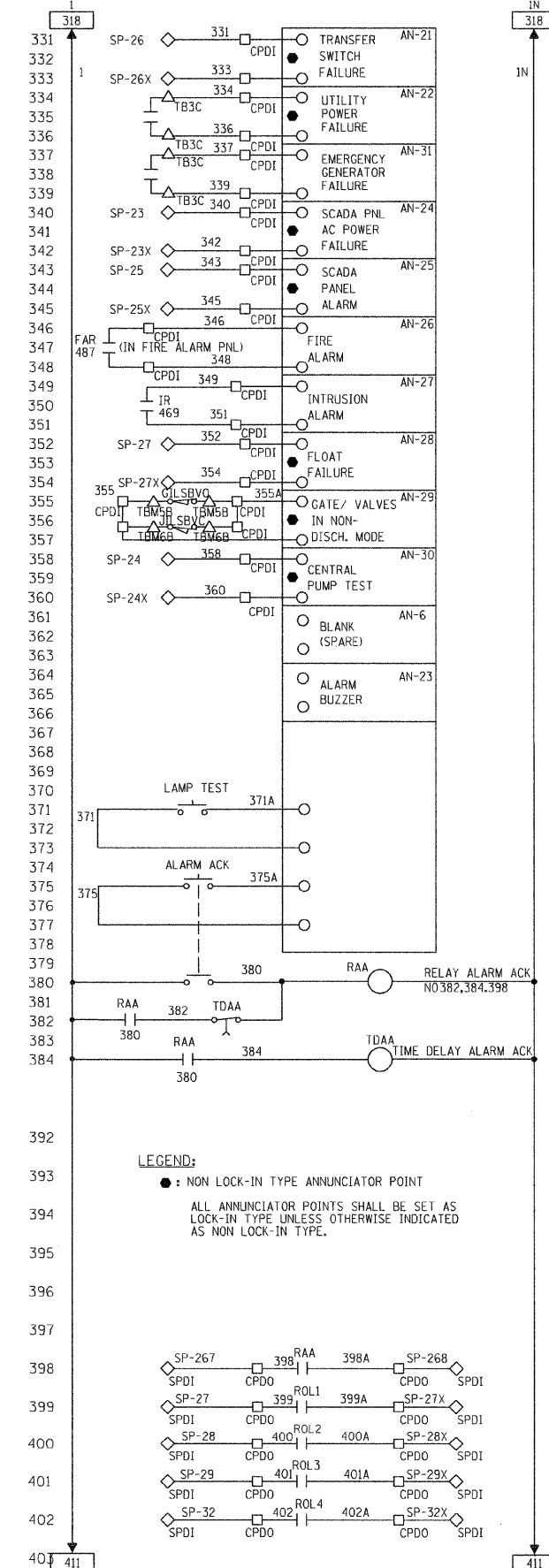
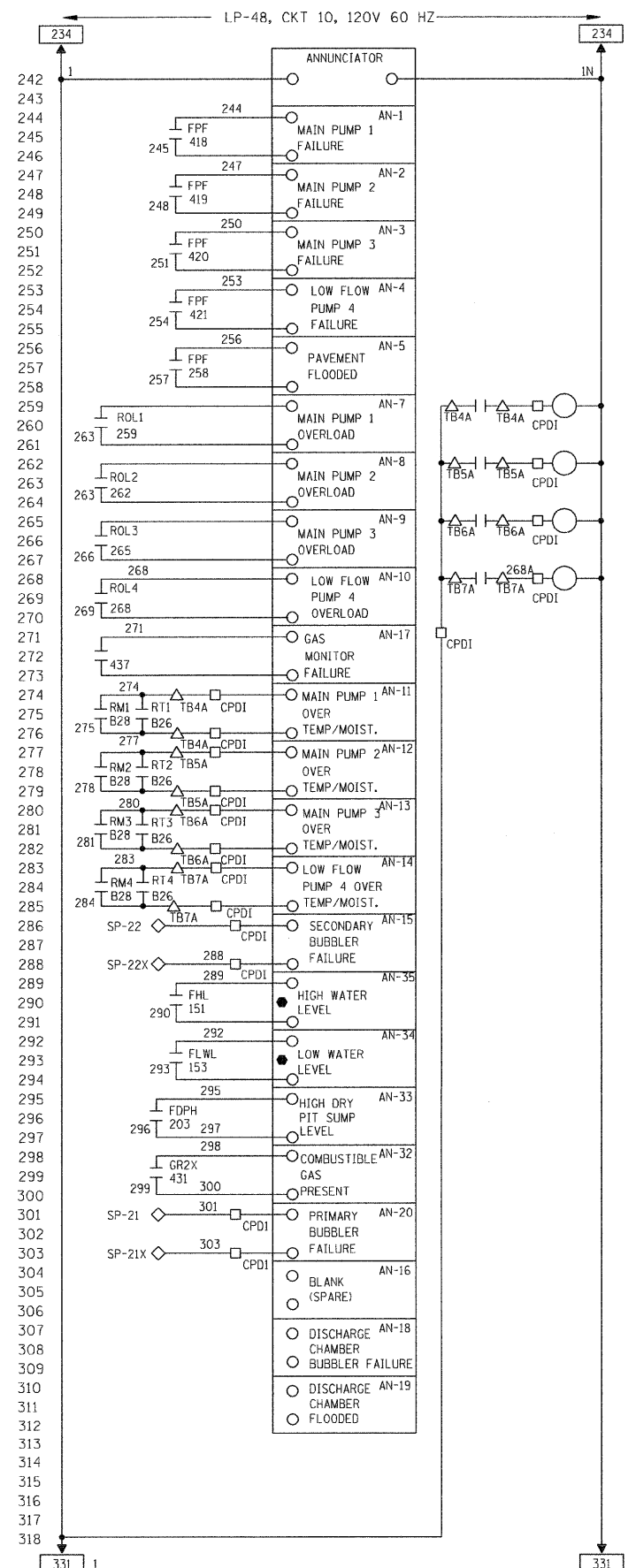


F.A.P. RTE.	SECTION	COUNTY	TOTAL SHEETS	SHEET NO.
365	59(SA, SB&SF)1	DUPAGE	39	30
FED. ROAD DIST. NO.		ILLINOIS FED. AID PROJECT		



E12

REVISIONS	
NAME	DATE

ILLINOIS DEPARTMENT OF TRANSPORTATION
 PUMP STATION NO. 48
 REHABILITATION
 CONTROL PANEL
 SCHEMATIC SHEET -2
 SCALE: N/A
 DATE: 03-10-11
 DRAWN BY: HFF
 CHECKED BY: MS

