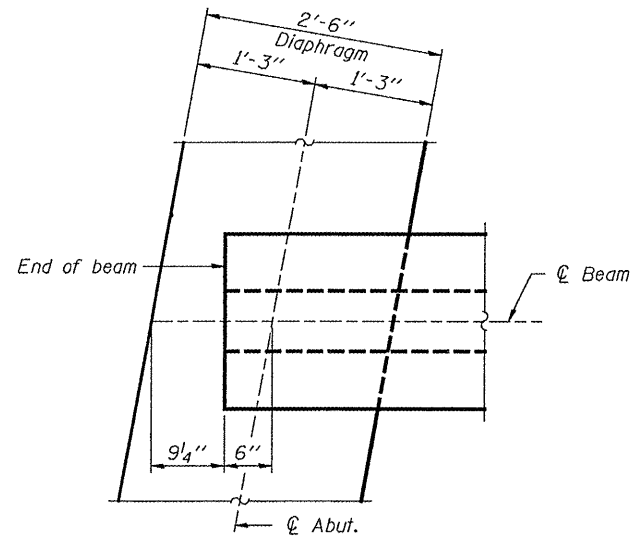


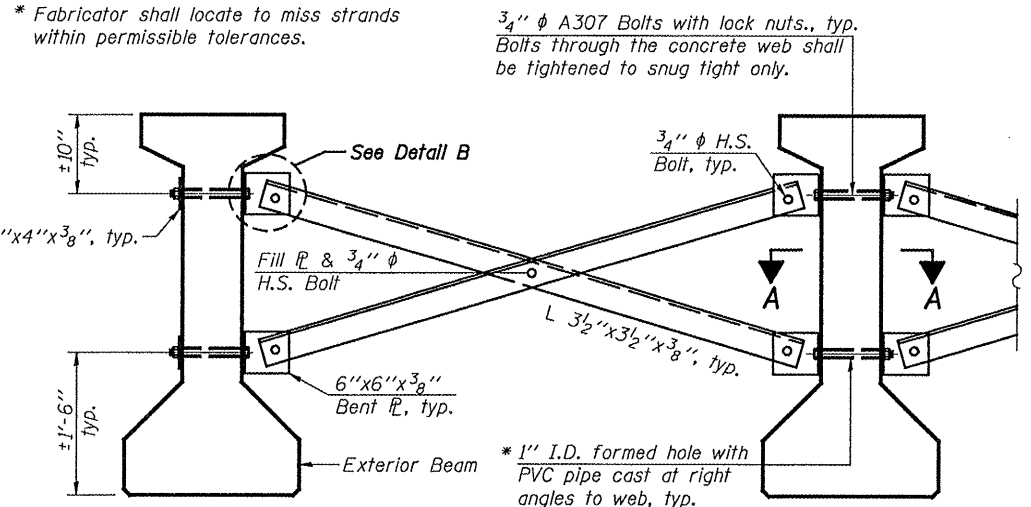
PLAN

BEAM MOMENT TABLE		
	Interior 0.5 Span	Exterior 0.5 Span
I	(in ⁴) 144,117	144,117
I'	(in ⁴) 379,283	365,134
S _b	(in ³) 6,834.1	6,834.1
S _b '	(in ³) 11,055	10,900
S _t	(in ³) 5,355.1	5,355.1
S _t '	(in ³) 27,705	25,182
DC1	(k/')	1.258
MDC1	(k)	1.136
DC2	(k/')	0.04
MDC2	(k)	36
DW	(k/')	0.313
MDW	(k)	283
M _E + IM	(k)	1,306

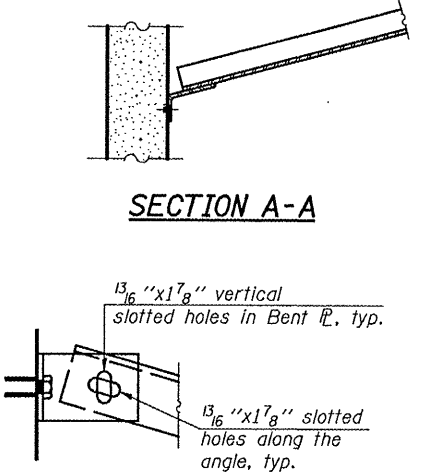
BEAM REACTION TABLE		
	Interior at Abutment	Exterior at Abutment
R _{DC1}	(k) 53.5	56.4
R _{DC2}	(k) 1.7	1.7
R _{DW}	(k) 13.3	11.9
R _E + IM	(k) 79.8	79.8
R _{Total}	(k) 148.3	149.8



DETAIL A



PERMANENT BRACING DETAILS



SECTION A-A

DETAIL B

NOTES:
 All material for bracing shall be hot dip galvanized according to AASHTO M111 unless otherwise noted.
 Two hardened washers are required for each set of oversized holes.
 All holes shall be 15/16" φ unless otherwise noted.
 5/16" x 3" x 3" plate washers are required over all slotted holes.
 All bolts shall be galvanized according to AASHTO M232.
 Bracing shall be installed as beams are erected and tightened as soon as possible during erection.
 Permanent bracing shall not be paid for separately, but shall be included in the cost of Furnishing and Erecting Precast Prestressed Concrete I-Beams, 48".

FILE NAME = S:\PROJECTS\2010\1183010_JodaviesCountyBethelRoad\DESIGN\STRUCT\Drawings\1183010Framing.dgn

USER NAME =	DESIGNED - M. C. WAGNER	REVISED -
PLOT SCALE =	CHECKED - B. K. CONVERSE	REVISED -
PLOT DATE =	DRAWN - F. D. LACHAT	REVISED -
	CHECKED - M. A. CACKLEY	REVISED -

JODAVIESS COUNTY
F.A.S. 72 (E. BETHEL RD.) OVER LITTLE RUSH CREEK
STATION 20 + 15

FRAMING PLAN
STRUCTURE NO. 043-3277
 STRUCTURAL SHEET NO. 6 OF 17 SHEETS

F.A.S. RTE.	SECTION	COUNTY	TOTAL SHEETS	SHEET NO.
72	10-00134-00-BR	JODAVIESS	34	16
	WHA* 1183010	CONTRACT NO. 85536		
[ILLINOIS] FED. AID PROJECT ER-00721033				