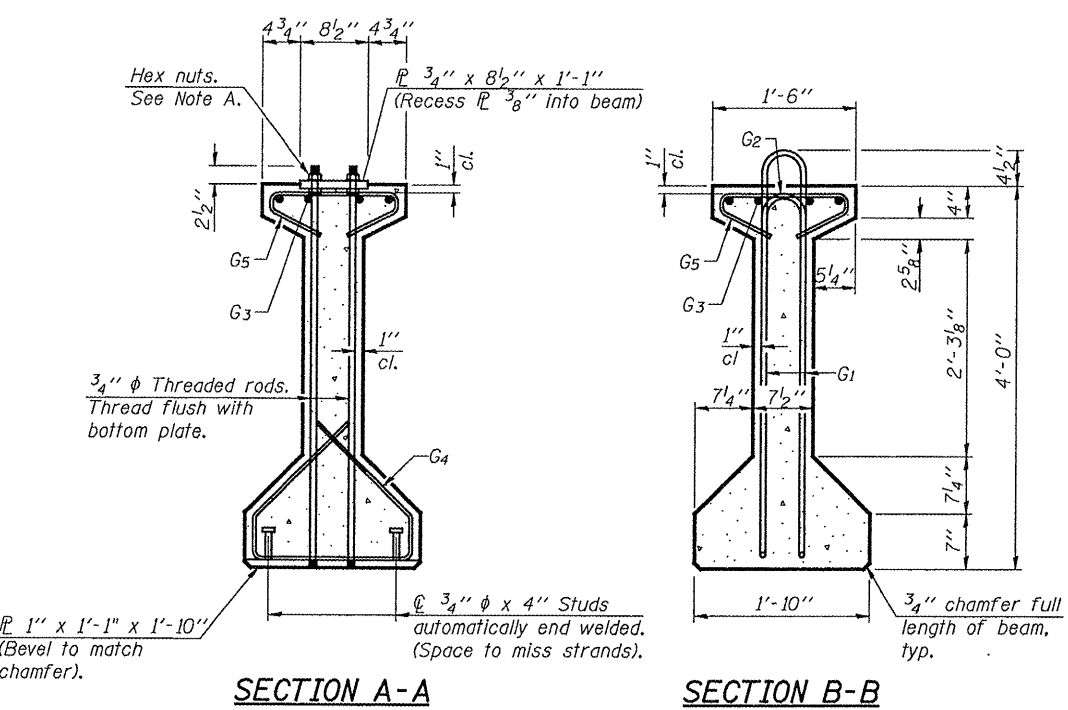


ELEVATION OF BEAM
(Showing reinforcement & dimensions)

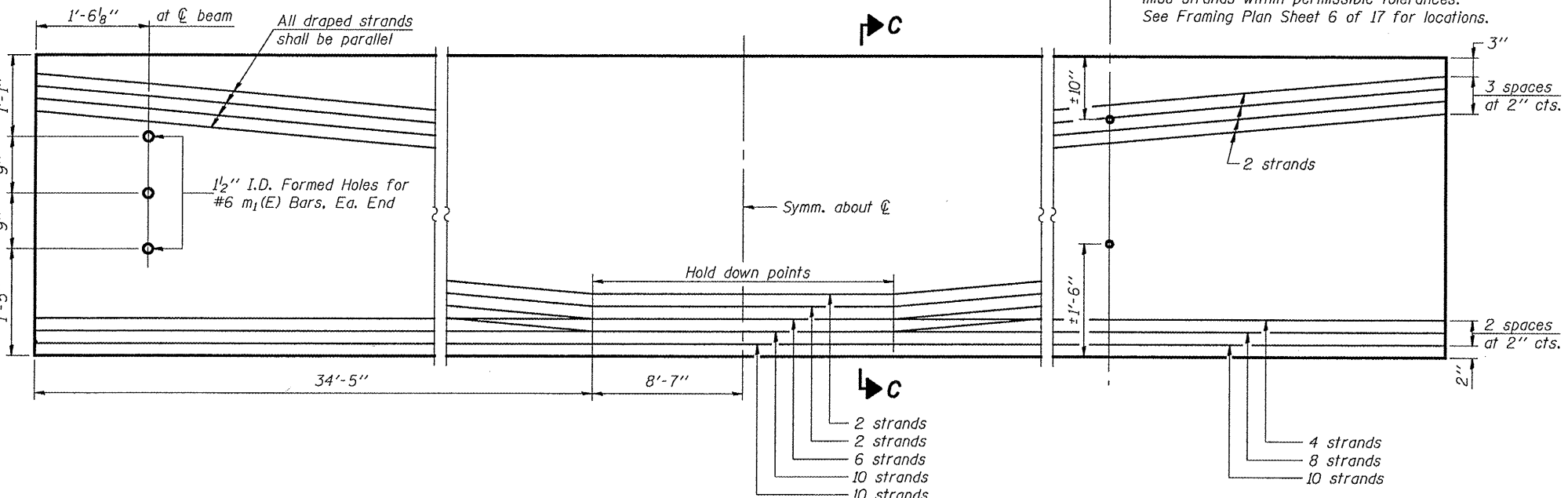
*3 spaces at 3" = 9"
**4-3/4" φ threaded dowel rods at 3" cts., Each Face.

Note A:
Hex nuts (top and bottom) with lock washers (top). Only tighten sufficiently to compress lock washers.



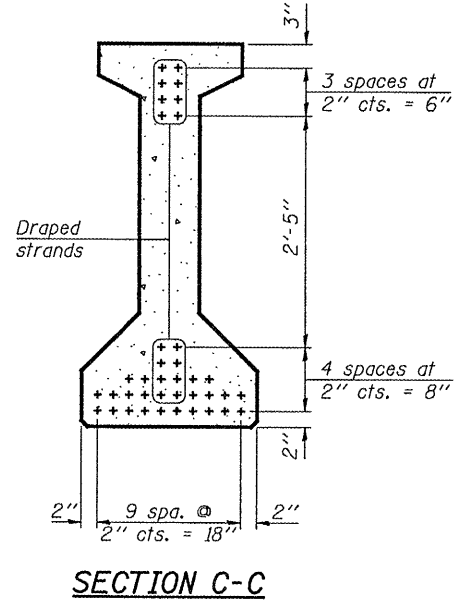
SECTION A-A

SECTION B-B



ELEVATION OF BEAM
(Showing prestressing steel)

1/2" I.D. formed hole with PVC pipe cast at right angles to web for permanent bracing, typ. Fabricator shall locate to miss strands within permissible tolerances. See Framing Plan Sheet 6 of 17 for locations.



SECTION C-C

*****BAR LIST
ONE BEAM ONLY**

Bar	No.	Size	Length	Shape
G1	135	#4	9'-6"	∩ L
G2	12	#4	7'-11"	∩
G3	8	#7	44'-6"	—
G4	38	#3	5'-3"	∩
G5	86	#3	2'-9"	∩

***For information only

NOTES:

See Structural Sheet 11 of 17 for additional details and Bill of Material.
Required release strength, f'ci, shall be 6,000 psi.

FILE NAME = S:\PROJECTS\2010\1183D10_JoDavies.County_Bethel.Road\DESIGN\STRUCT\Drawings\1183D101-Beam.dgn

USER NAME =	DESIGNED - M. C. WAGNER	REVISED -
	CHECKED - B. K. CONVERSE	REVISED -
PLOT SCALE =	DRAWN - F. D. LACHAT	REVISED -
PLOT DATE =	CHECKED - M. A. CACKLEY	REVISED -

JODAVIESS COUNTY
F.A.S. 72 (E. BETHEL RD.) OVER LITTLE RUSH CREEK
STATION 20 + 15

48" PCC I-BEAM
STRUCTURE NO. 043-3277
STRUCTURAL SHEET NO. 10 OF 17 SHEETS

F.A.S. RTE.	SECTION	COUNTY	TOTAL SHEETS	SHEET NO.
72	10-00134-00-BR	JODAVIESS	34	20
	WHA# 1183D10	CONTRACT NO.	85536	

[ILLINOIS] FED. AID PROJECT ER-00721031