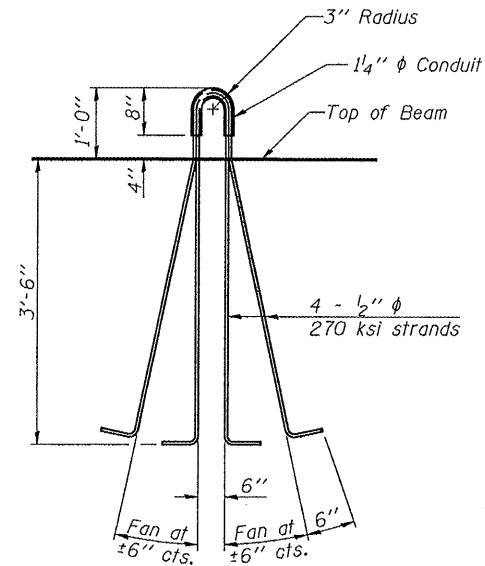


FILE NAME = S:\PROJECTS\2010\1183D10_Job\Business-County\Bethel.Road\DESIGN\STRUCT\Drawings\1183D101-Beam.dgn



LIFTING LOOP DETAIL

NOTES:

Inserts for 3/4" ϕ threaded dowel rods, when specified, are to be two strut, ferrule type for interior beams and single ferrule, flared loop type for exterior beams.

Prestressing steel shall be uncoated high strength, low relaxation 7-wire strand, Grade 270. The nominal diameter shall be 1/2" and the nominal cross-sectional area shall be 0.153 sq. in.

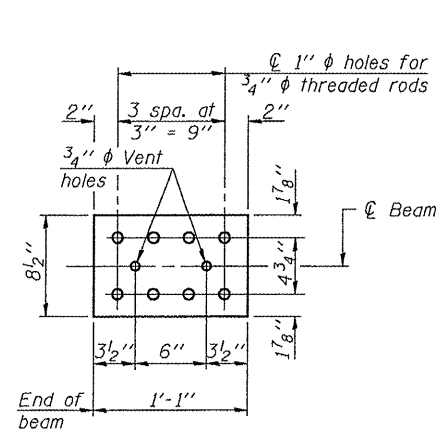
Reinforcement bars shall conform to ASTM A 706, Grade 60. (See Special Provisions)

A minimum 2 1/2" ϕ lifting pin shall be used to engage the lifting loops during handling.

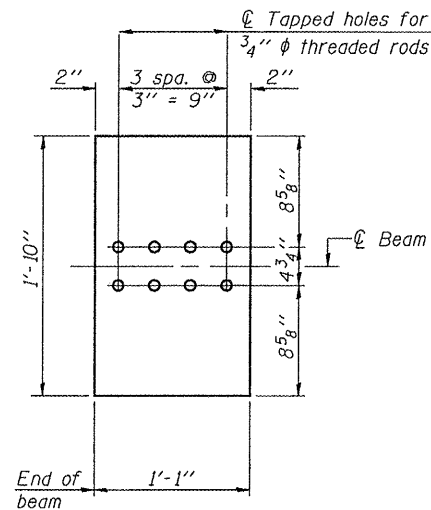
The top and bottom plates shall be AASHTO M270 Grade 50.

The bottom plates and studs shall be galvanized according to AASHTO M111. Top plates and threaded rods need not be galvanized.

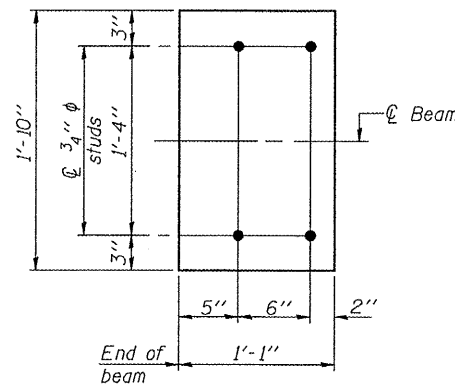
Threaded rods shall be ASTM F 1554 Grade 55.



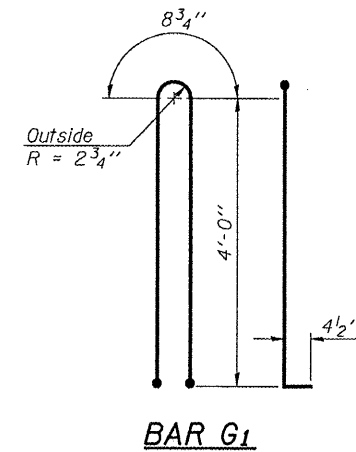
TOP PLATE



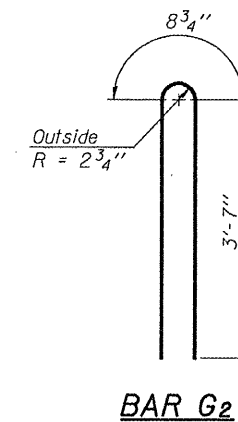
BOTTOM PLATE
(Showing threaded rods)



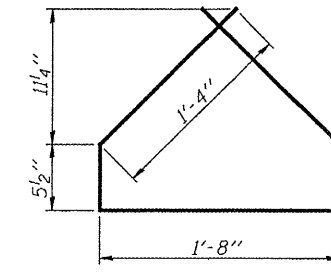
BOTTOM PLATE
(Showing studs)



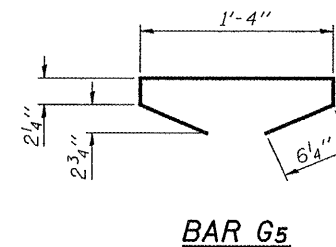
BAR G1



BAR G2



BAR G4



BAR G5

BILL OF MATERIAL

Item	Unit	Total
Furnishing and Erecting Precast Prestressed Concrete I-Beams, 48"	Foot	430

USER NAME =	DESIGNED - M. C. WAGNER	REVISED -
	CHECKED - B. K. CONVERSE	REVISED -
PLOT SCALE =	DRAWN - F. D. LACHAT	REVISED -
PLOT DATE =	CHECKED - M. A. CACKLEY	REVISED -

JODAVIESS COUNTY
F.A.S. 72 (E. BETHEL RD.) OVER LITTLE RUSH CREEK
STATION 20 + 15

48" PPC I-BEAM DETAILS
STRUCTURE NO. 043-3277

STRUCTURAL SHEET NO. 11 OF 17 SHEETS

F.A.S. RTE.	SECTION	COUNTY	TOTAL SHEETS	SHEET NO.
72	10-00134-00-BR	JODAVIESS	34	21
	WHA* 1183D10	CONTRACT NO. 85536		
ILLINOIS FED. AID PROJECT ER-0072(103)				