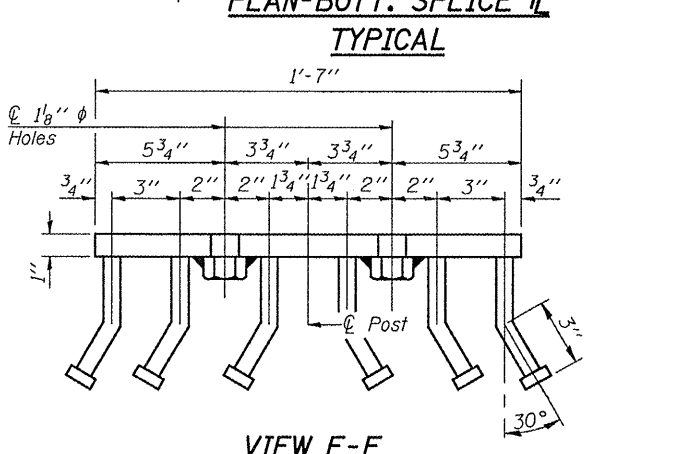
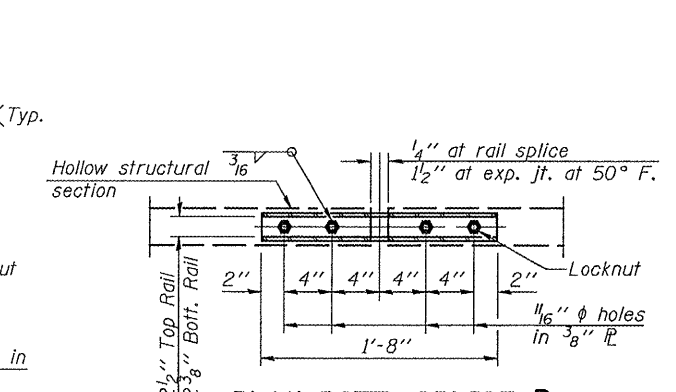
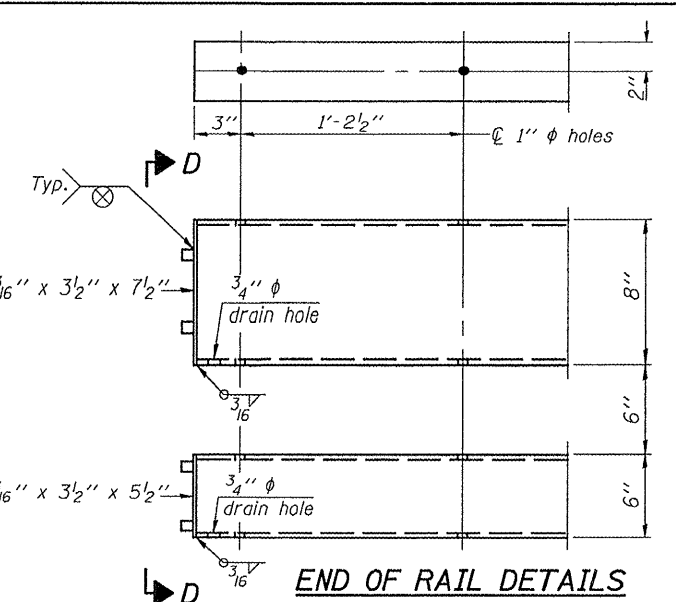
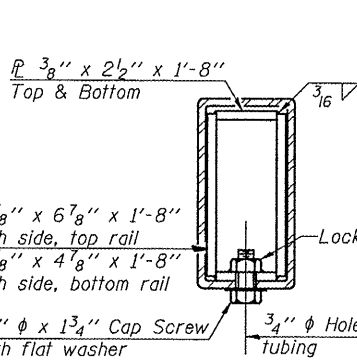
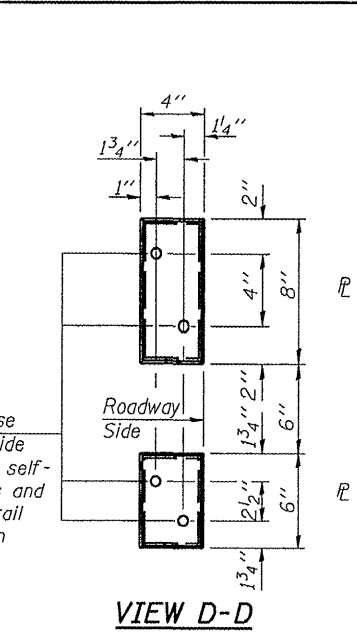
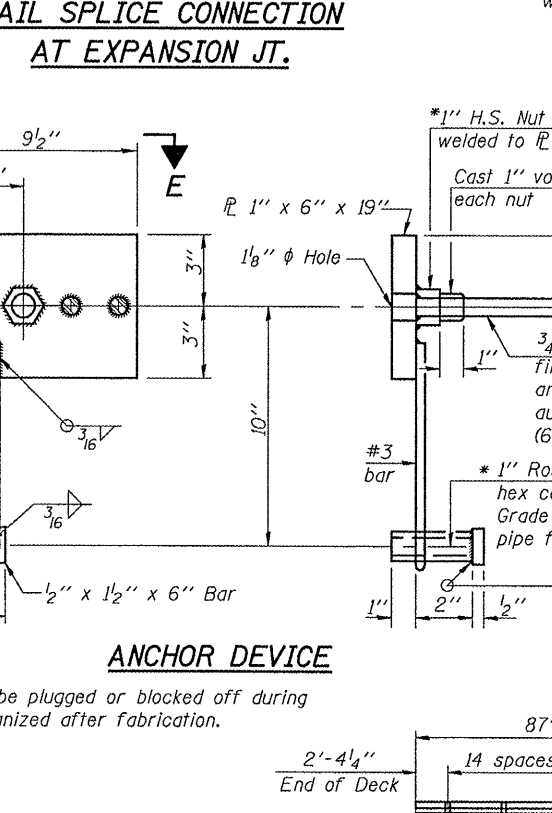
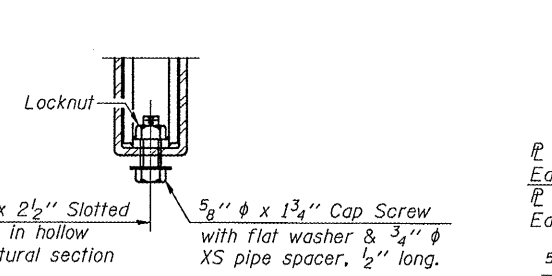
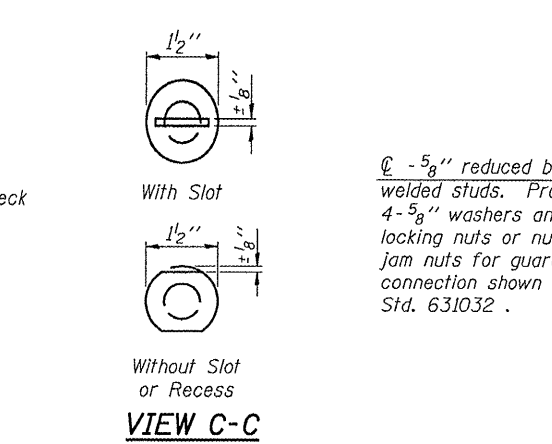
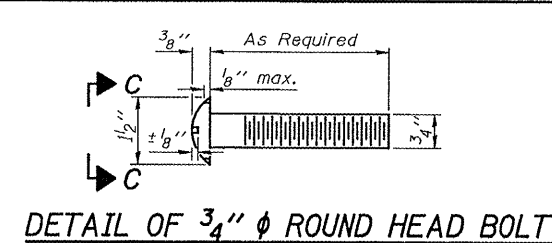
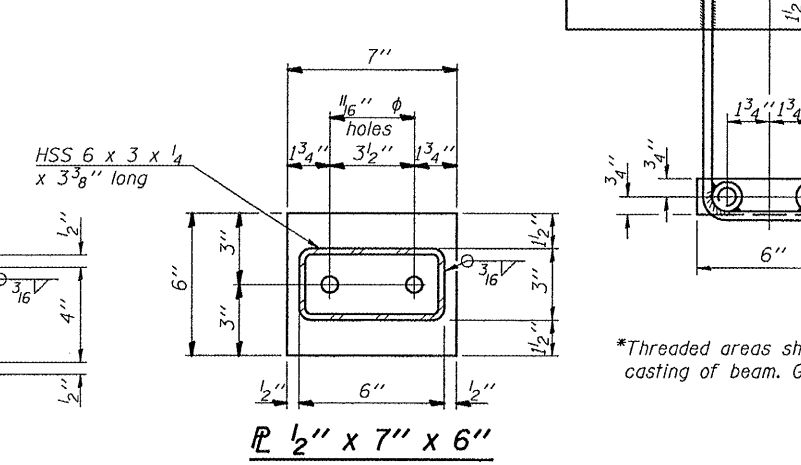
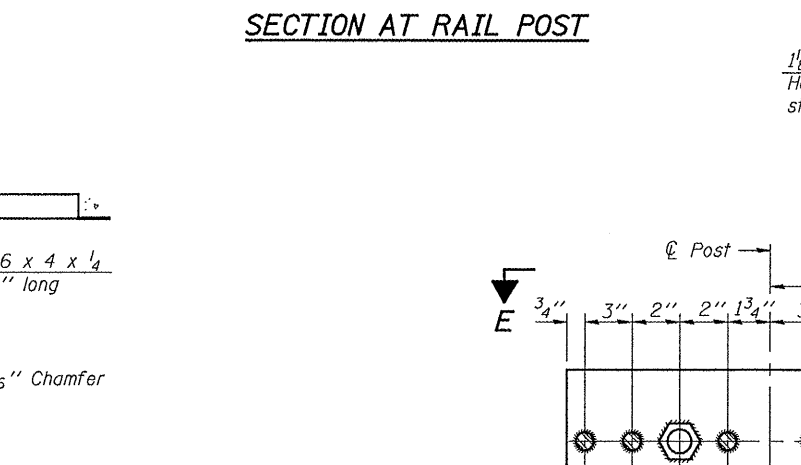
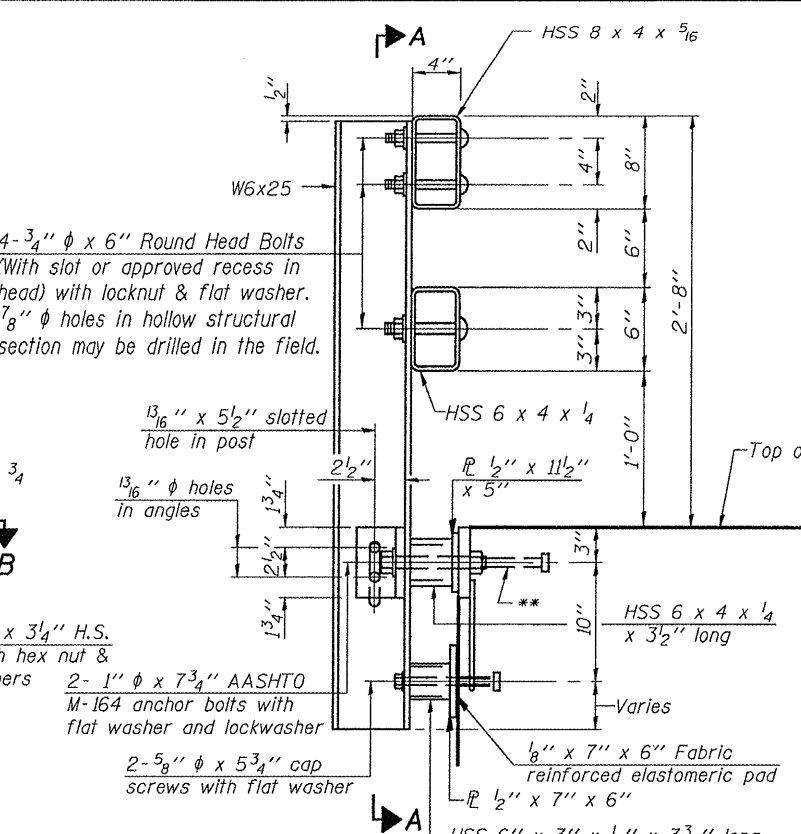
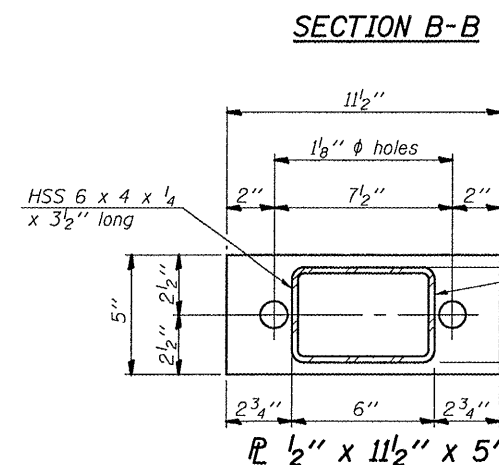
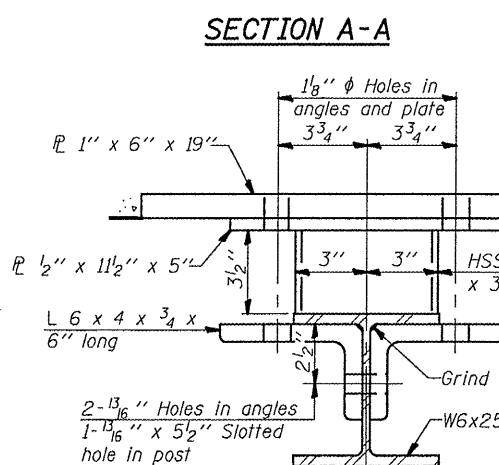
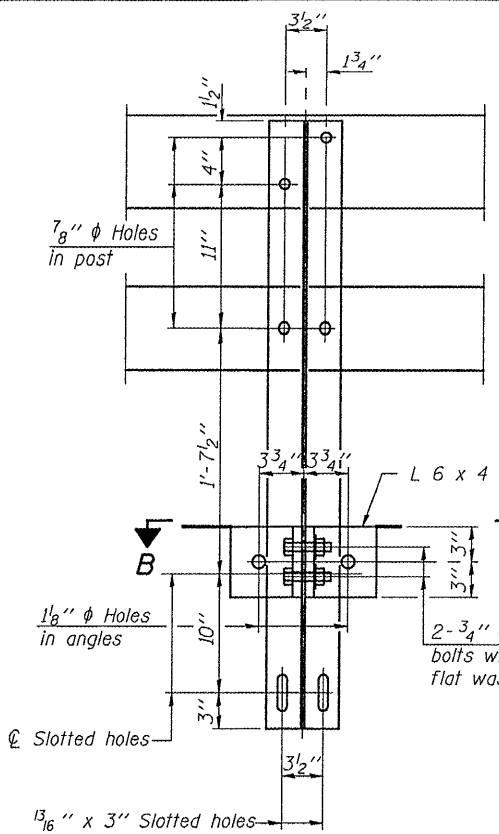
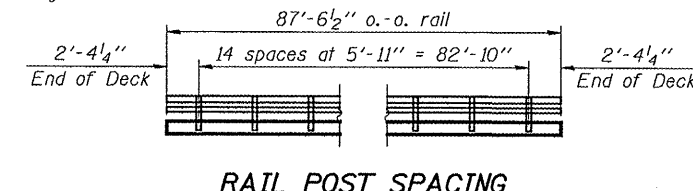


FILE NAME = S:\PROJECTS\2010\1183D10 - Jodavess County Bethel_Road\DESIGN\STRUCT\Drawings\1183D10SMRail.dgn



Notes:
 All field drilled holes shall be coated with an approved zinc rich paint before erection.
 For multi-span bridges, sufficient 1/4" x 6" x 1'-2" galvanized steel shims shall be provided to align rail between adjacent spans. Cost included with Steel Railing, Type SM.
 Steel rail elements shall be galvanized according to Article 509.05 of the Standard Specifications.
 ** The studs of the anchor devices shall be placed below the top reinforcement bars and the outermost longitudinal reinforcement bar shall be placed directly above the studs of the rail post anchor device.



BILL OF MATERIAL

Item	Unit	Quantity
Steel Railing, Type SM	Foot	175'-0"

USER NAME =	DESIGNED - M. C. WAGNER	REVISED -
PLOT SCALE =	CHECKED - B. K. CONVERSE	REVISED -
PLOT DATE =	DRAWN - F. D. LACHAT	REVISED -
	CHECKED - M. A. CACKLEY	REVISED -

JODAVIESS COUNTY
F.A.S. 72 (E. BETHEL RD.) OVER LITTLE RUSH CREEK
STATION 20 + 15

STEEL RAILING, TYPE SM DETAILS
STRUCTURE NO. 043-3277
 STRUCTURAL SHEET NO. 14 OF 17 SHEETS

F.A.S. RTE. 72	SECTION 10-00134-00-BR	COUNTY JODAVIESS	TOTAL SHEETS 34	SHEET NO. 24
WHA # 1183D10			CONTRACT NO. 85536	
ILLINOIS FED. AID PROJECT ER-0072(103)				