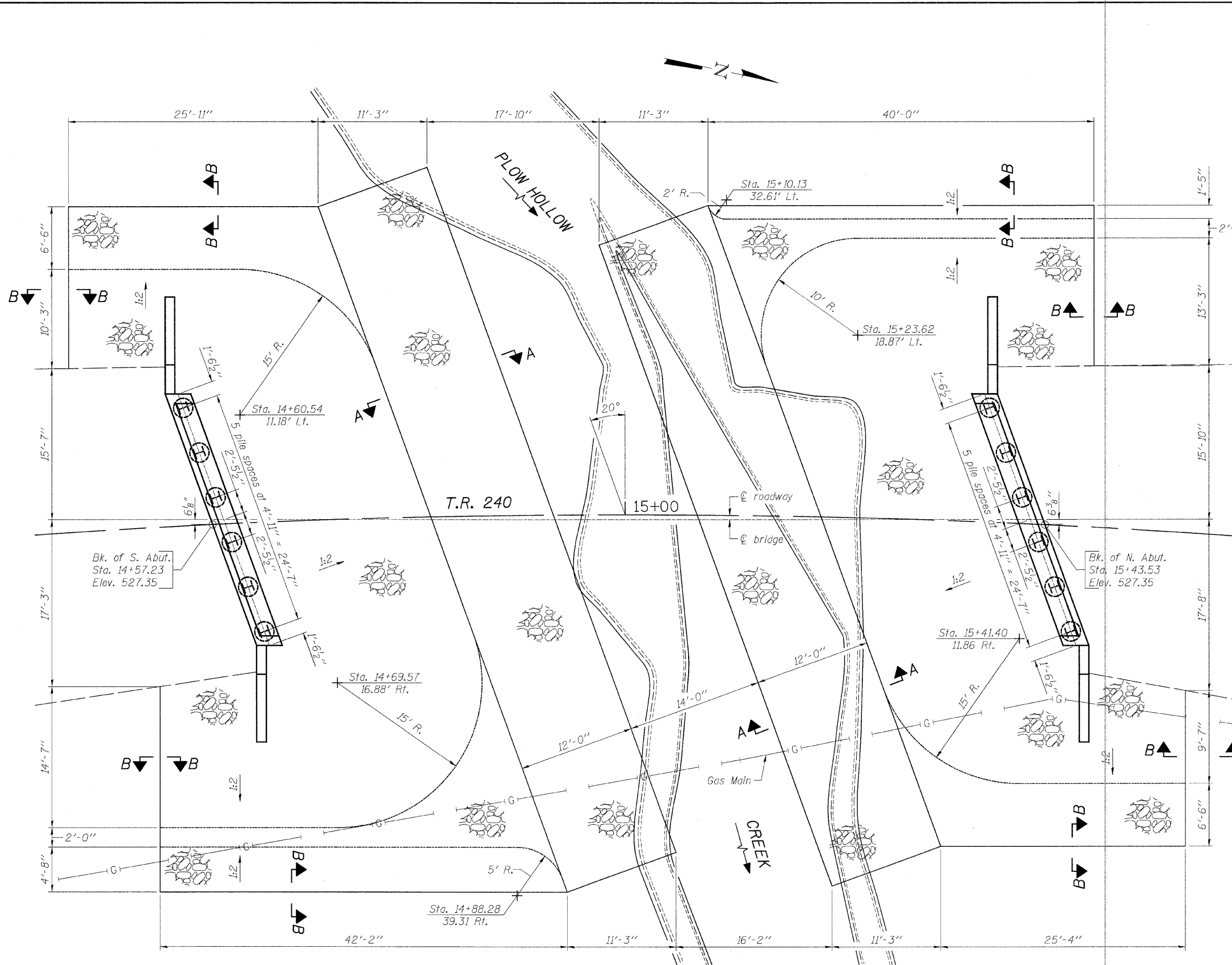
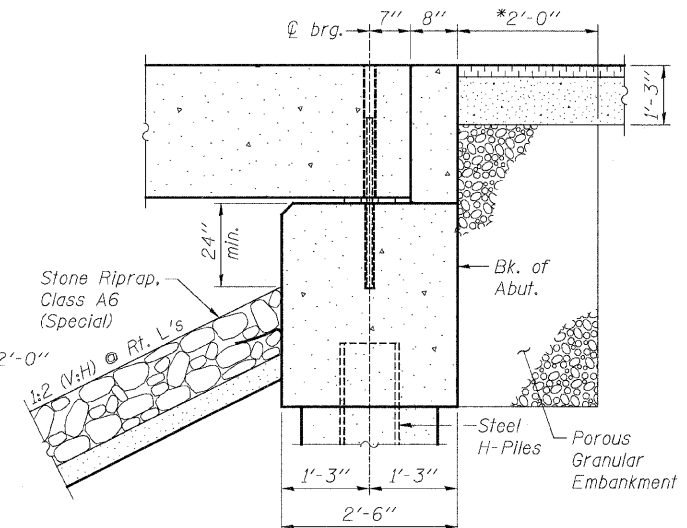


FILE NAME = S:\PROJECTS\2010\1285010\_BureauCo\_TR240\DESIGN\STRUCTURE Drawings\1285010R\_proprietary.dgn

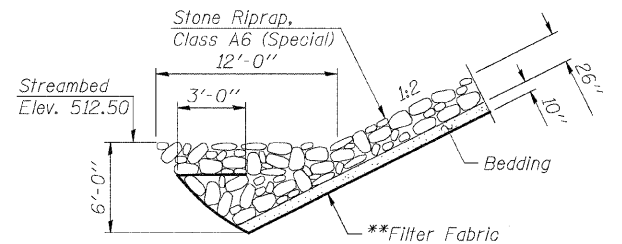


PLAN VIEW

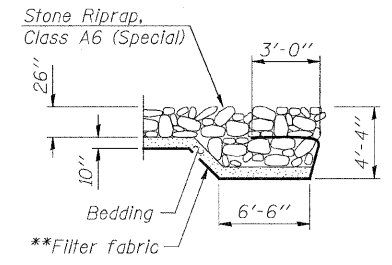


SECTION THRU ABUTMENT

(Horiz. dim. @ Rt. L's)  
\*Pay Limits of Porous Granular Embankment



SECTION A-A



SECTION B-B

BILL OF MATERIAL

Item	Unit	Quantity
Stone Riprap, Class A6 (Special)	Ton	909

\*\*Included in the cost of Stone Riprap, Class A6 (Special).

USER NAME =	DESIGNED - B.S.K.	REVISED -
PLOT SCALE =	CHECKED - B.K.C.	REVISED -
PLOT DATE =	DRAWN - F.D.L.	REVISED -
	CHECKED - M.A.C.	REVISED -

**BUREAU COUNTY**  
**T.R. 240 OVER PLOW HOLLOW CREEK**  
**STATION 15+00**

**RIPRAP AND PILE LAYOUT**  
**STRUCTURE NO. 006-4012**

STRUCTURAL SHEET NO. 2 OF 9 SHEETS

TWP. RTE.	SECTION	COUNTY	TOTAL SHEETS	SHEET NO.
240	10-01121-00-BR	BUREAU	23	11
WHA# 1285010		CONTRACT NO. 87483		
ILLINOIS FED. AID PROJECT BROS-0011(075)				