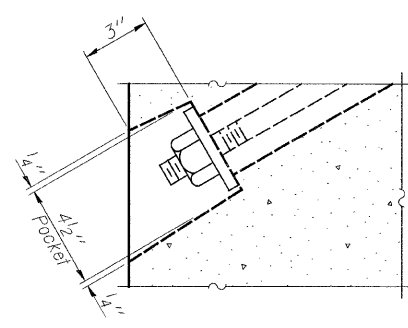


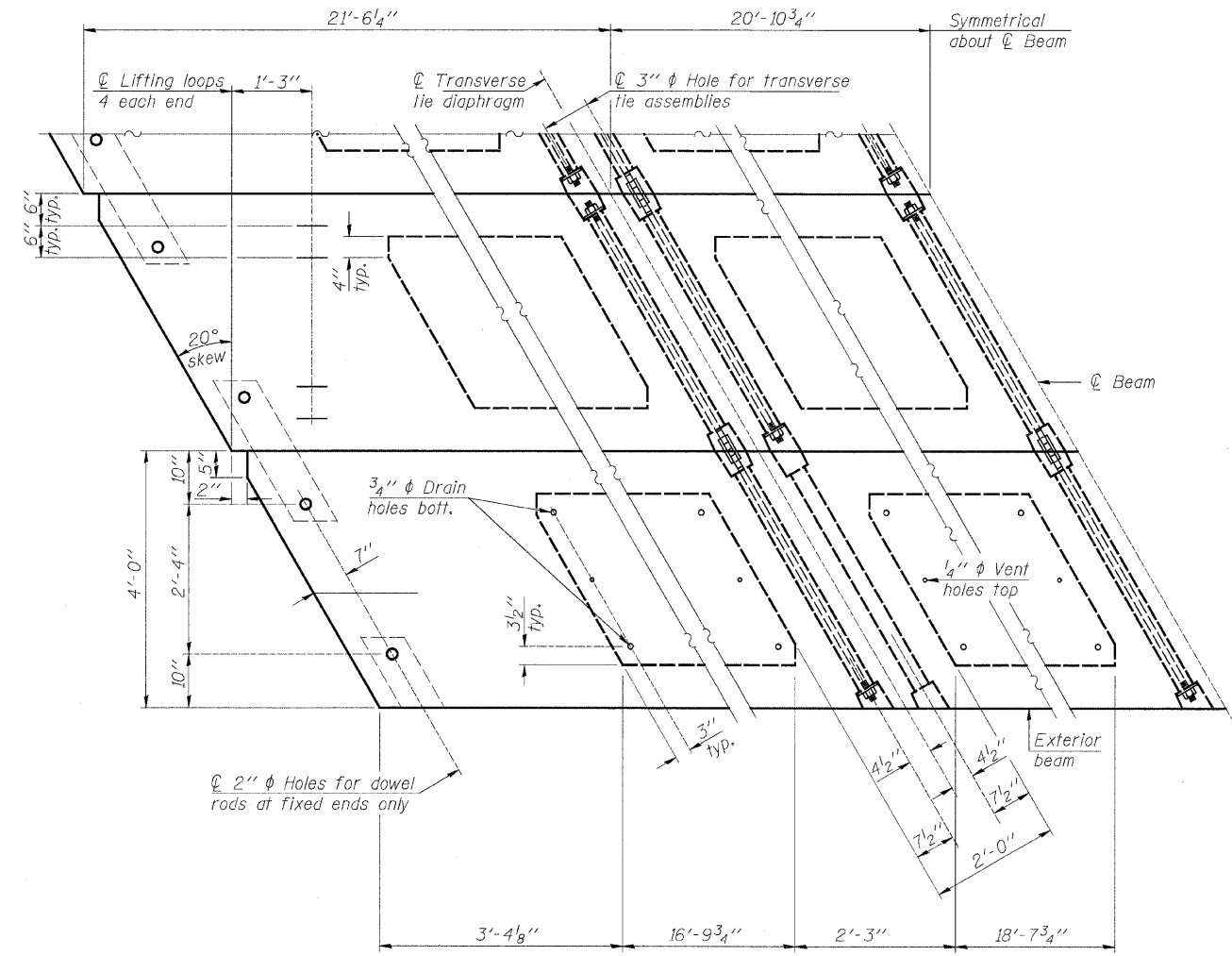
**FABRIC BEARING PAD (Interior)**  
**FABRIC BEARING PAD (Exterior)**

Notes:  
 All bearing pads shall be 1" thick.

**FIXED**

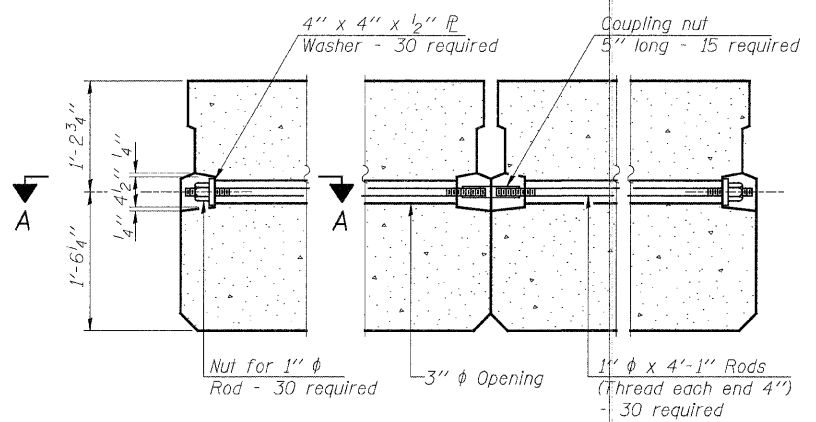


**SECTION A-A**

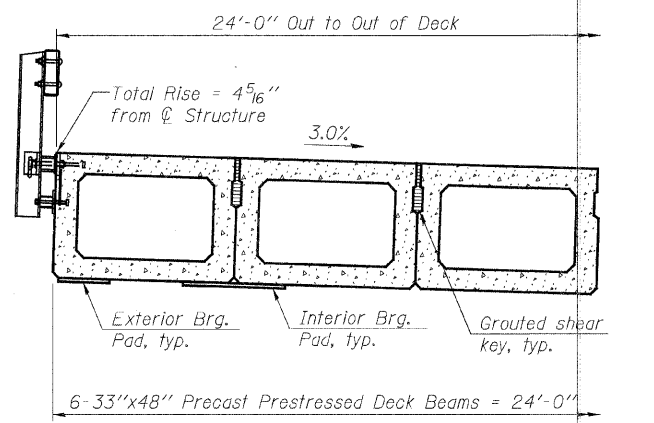


**PLAN VIEW**

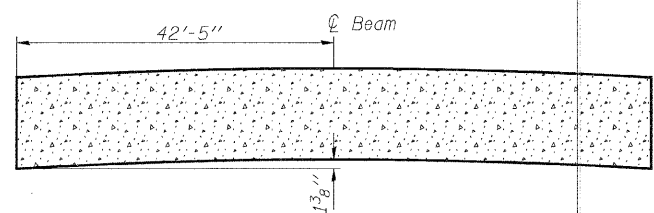
Note: Connect beams in pairs with the transverse tie configuration shown.  
 Unused transverse tie holes on exterior beams can be omitted.



**TYPICAL TRANSVERSE TIE ASSEMBLY**



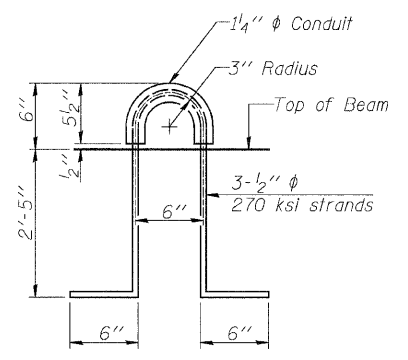
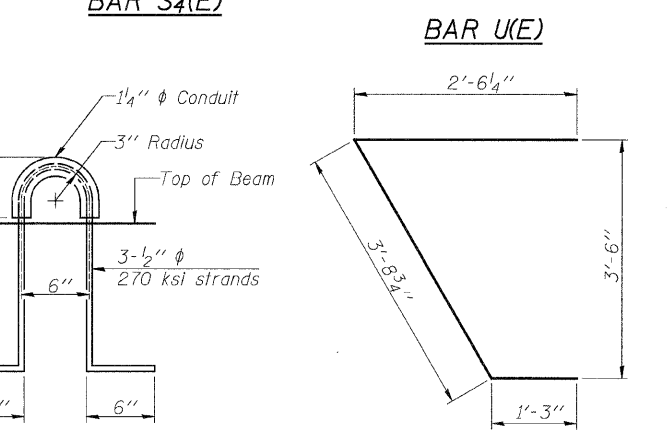
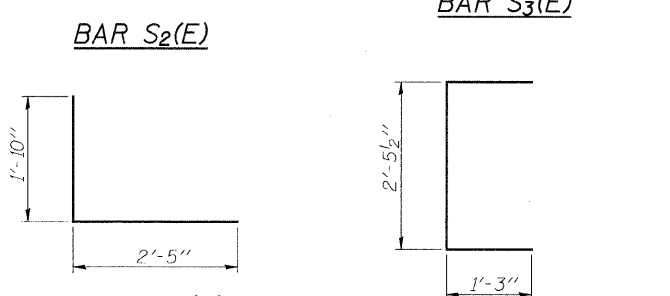
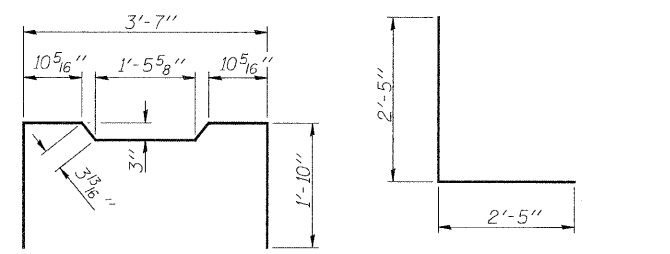
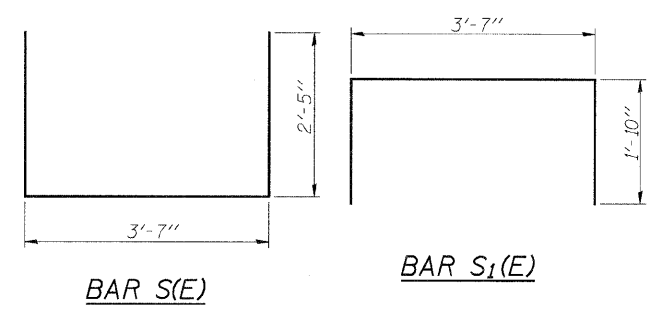
**HALF PROPOSED BRIDGE CROSS SECTION (Looking North)**



**CAMBER DIAGRAM**

**NOTES**

Prestressing steel shall be uncoated high strength, low relaxation 7-wire strand, Grade 270. The nominal diameter shall be 1/2" and the nominal cross-sectional area shall be 0.153 sq. in. The 1" diameter rods in the transverse tie assembly shall be tightened to a snug fit and the threads set. Pockets on exterior faces of bridge shall be filled with grout after transverse tie assembly is in place.  
 Reinforcement bars shall conform to ASTM A 706, Grade 60. (See Special Provisions). Two 1/8" fabric adjusting shims of the dimensions of the exterior bearing pad shall be provided for each bearing pad location.  
 A minimum 2 1/2" diameter lifting pin shall be used to engage the lifting loops during handling.  
 Corrosion Inhibitor, per Article 1020.05(b)(12) and 1021.06 of the Standard Specifications, shall be used in the concrete for precast prestressed concrete deck beams.  
 Compressive strength of prestressed concrete, f'c, shall be 6000 psi.  
 Compressive strength of prestressed concrete at release, f'ci, shall be 5000 psi.



**LIFTING LOOP DETAIL**

**BILL OF MATERIAL**

Item	Unit	Quantity
Precast Prestressed Concrete Deck Beams (33" Depth)	Sq. Ft.	2,036

FILE NAME = S:\PROJECTS\2010\1285D10\DESIGN\STRUCTURE Drawings\1285D10Beam.dgn

USER NAME =	DESIGNED - B.S.K.	REVISED -
PLOT SCALE =	CHECKED - B.K.C.	REVISED -
PLOT DATE =	DRAWN - F.D.L.	REVISED -
	CHECKED - M.A.C.	REVISED -

**BUREAU COUNTY**  
**T.R. 240 OVER PLOW HOLLOW CREEK**  
**STATION 15 + 00**

**33" x 48" PPC DECK BEAM DETAILS**  
**STRUCTURE NO. 006-4012**  
 STRUCTURAL SHEET NO. 4 OF 9 SHEETS

TWP. RITE. 240	SECTION 10-01121-00-BR	COUNTY BUREAU	TOTAL SHEETS 23	SHEET NO. 13
WHA# 1285D10		CONTRACT NO. 87483		
[ILLINOIS] FED. AID PROJECT BROS-0011(075)				