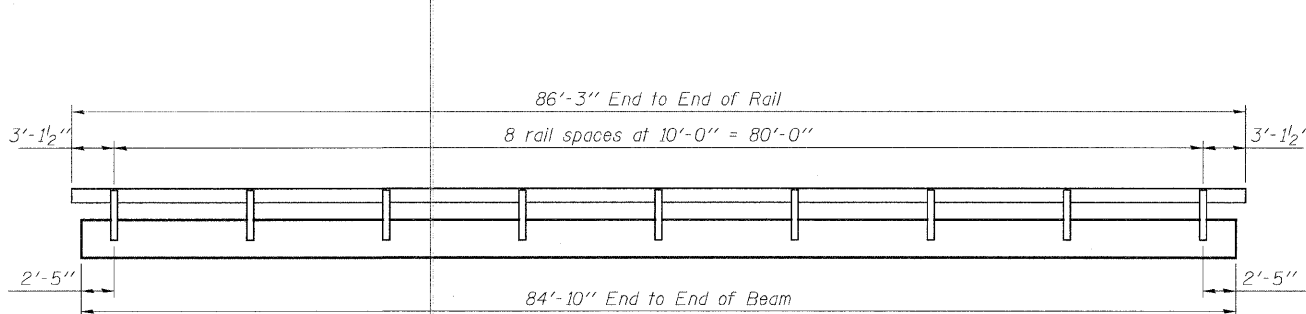
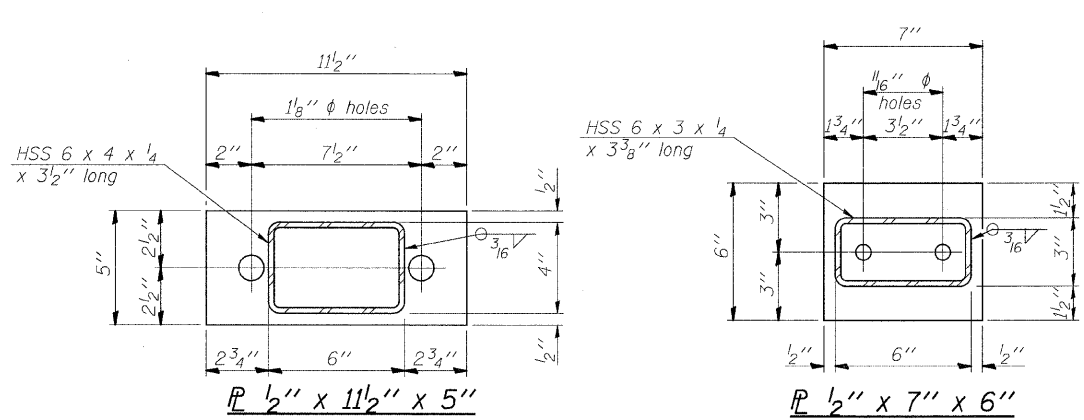
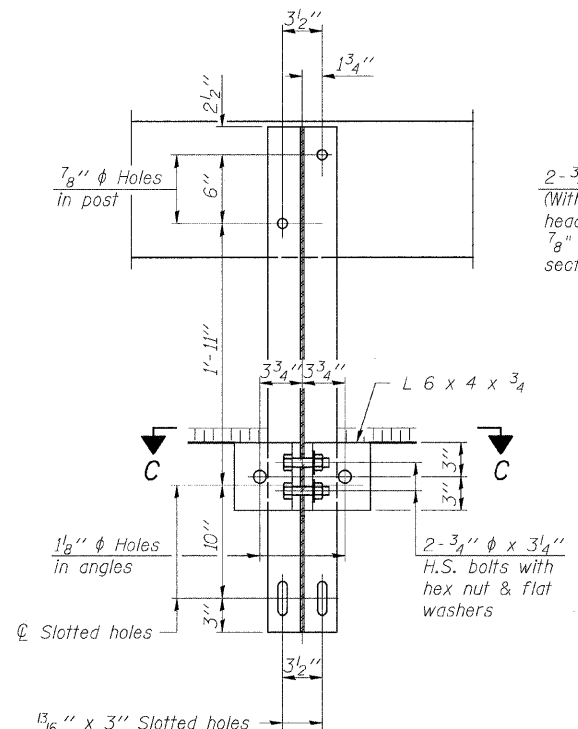


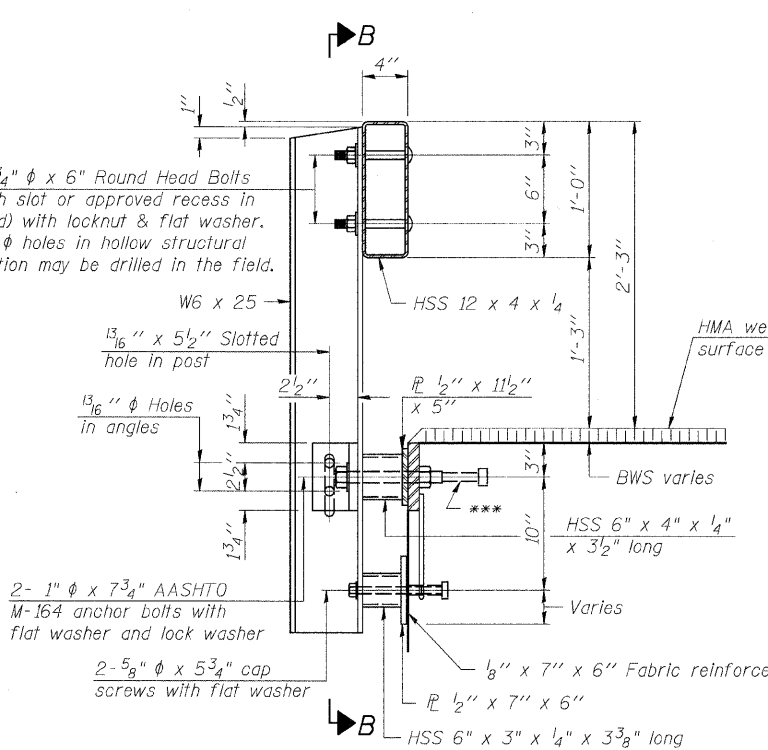
**VIEW A-A
ROUND HEAD BOLT**



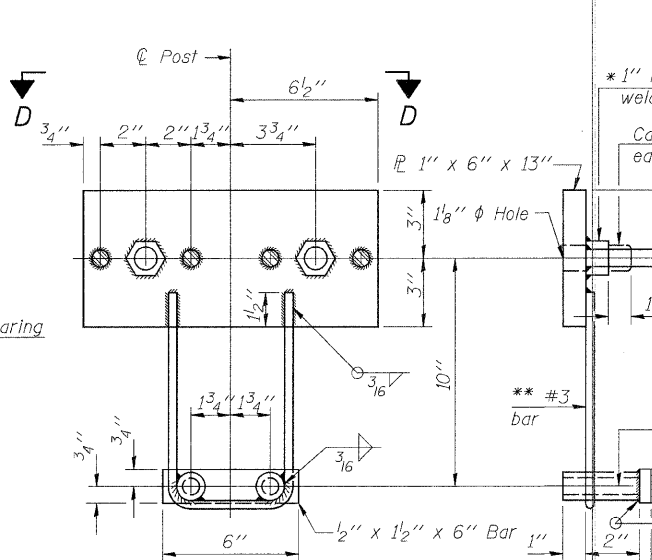
ELEVATION VIEW



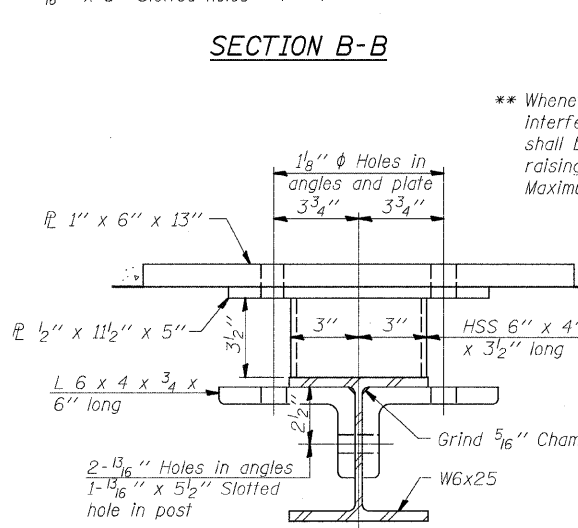
SECTION B-B



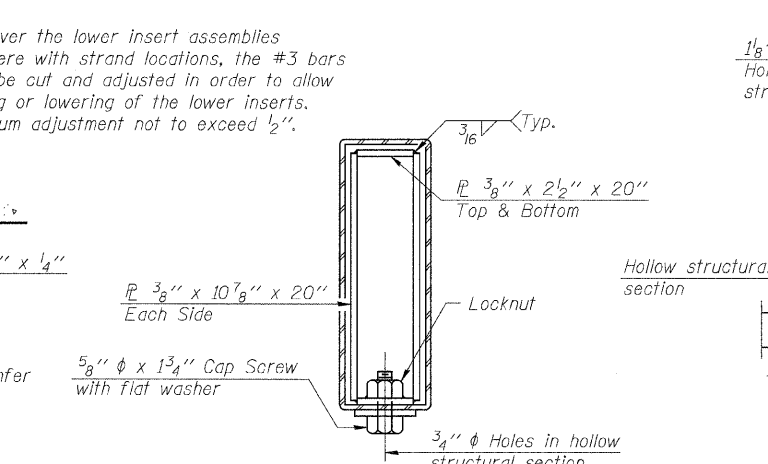
SECTION AT RAILING POST



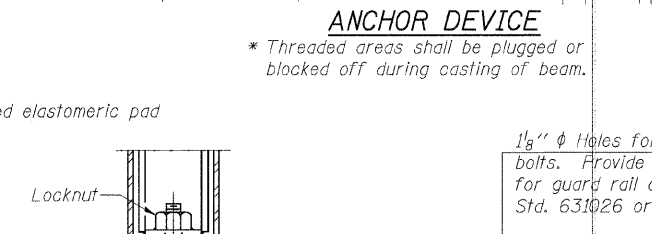
ANCHOR DEVICE



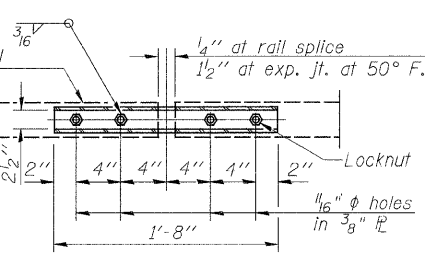
SECTION C-C



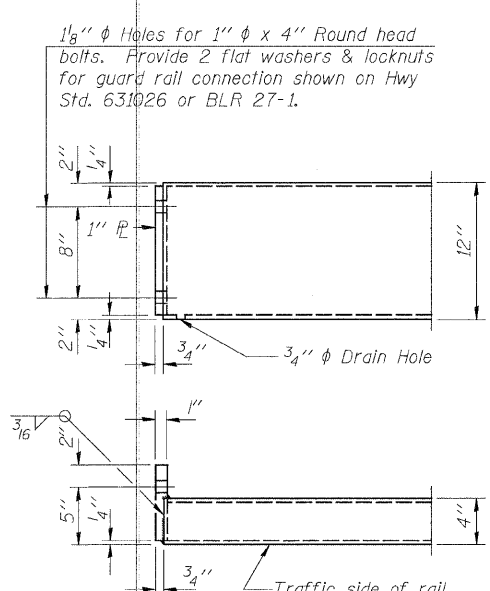
SECTIONS AT RAIL SPLICE



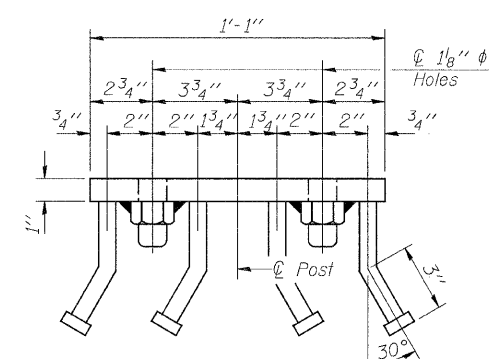
**RAIL SPLICE CONNECTION
AT EXPANSION JT.**



**PLAN-BOTT. SPLICE P
TYPICAL**



END OF RAIL DETAILS



VIEW D-D

BILL OF MATERIAL

Item	Unit	Quantity
Steel Railing, Type S-1	Foot	173

Notes:
All field drilled holes shall be coated with an approved zinc rich paint before erection.

For multi-span bridges, sufficient 1/4 inch x 6 inch x 1'-2 inch galvanized steel shims shall be provided to align rail between adjacent spans. Cast included with Steel Railing, Type S-1.

All steel rail elements shall be galvanized according to Article 509.05 of the Standard Specifications.

*** The studs of the anchor devices shall be placed below the top reinforcement bars and the outermost longitudinal reinforcement bar shall be placed directly above the studs of the rail post anchor device.

FILE NAME = S:\PROJECTS\2010\1285010_Bureau\Co.-TR240\DESIGN\STRUCTURE Drawings\1285010S1Rail.dgn

USER NAME =	DESIGNED - B.S.K.	REVISED -
PLOT SCALE =	CHECKED - B.K.C.	REVISED -
PLOT DATE =	DRAWN - F.D.L.	REVISED -
	CHECKED - M.A.C.	REVISED -

**BUREAU COUNTY
T.R. 240 OVER PLOW HOLLOW CREEK
STATION 15 + 00**

**STEEL RAILING, TYPE S1 DETAILS
STRUCTURE NO. 006-4012**

TWP. RTE. 240	SECTION 10-01121-00-BR	COUNTY BUREAU	TOTAL SHEETS 23	SHEET NO. 16
WHA# 1285010		CONTRACT NO. 87483		
ILLINOIS FED. AID PROJECT BROS-001(075)				

STRUCTURAL SHEET NO. 7 OF 9 SHEETS