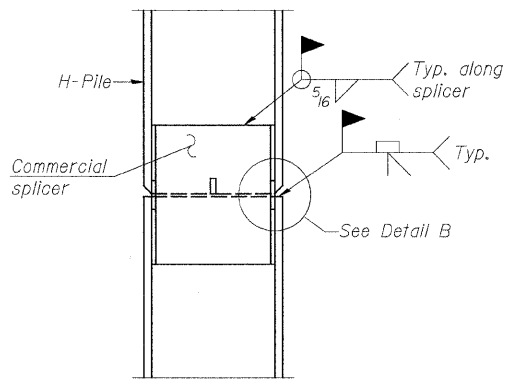
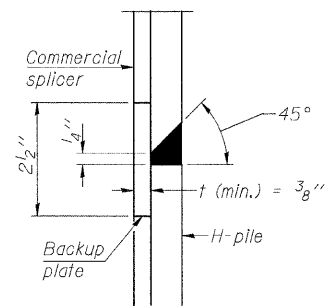


STEEL PILE TABLE

| Designation | Depth d | Flange width b _f | Web and Flange thickness t | Encasement diameter A |
|-------------|---------|-----------------------------|----------------------------|-----------------------|
| HP 14x117 | 14 1/4" | 14 7/8" | 13/16" | 30" |
| x102 | 14" | 14 3/4" | 1/16" | 30" |
| x89 | 13 7/8" | 14 3/4" | 5/8" | 30" |
| x73 | 13 5/8" | 14 5/8" | 1/2" | 30" |
| HP 12x84 | 12 1/4" | 12 1/4" | 1/16" | 24" |
| x74 | 12 1/8" | 12 1/4" | 5/8" | 24" |
| x63 | 12" | 12 1/8" | 1/2" | 24" |
| x53 | 11 3/4" | 12" | 7/16" | 24" |
| HP 10x57 | 10" | 10 1/4" | 9/16" | 24" |
| x42 | 9 3/4" | 10 1/8" | 7/16" | 24" |
| HP 8x36 | 8" | 8 1/8" | 7/16" | 18" |

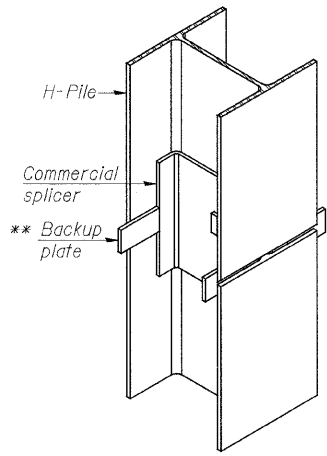


ELEVATION

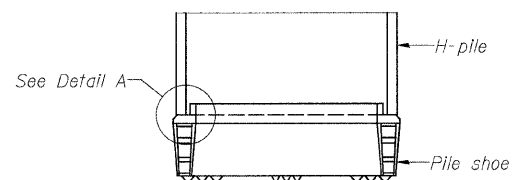


DETAIL "B"

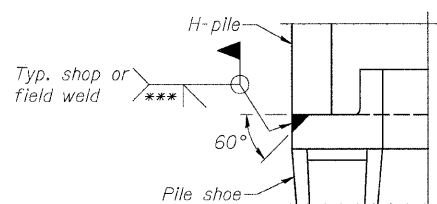
WELDED COMMERCIAL SPLICE



ISOMETRIC VIEW

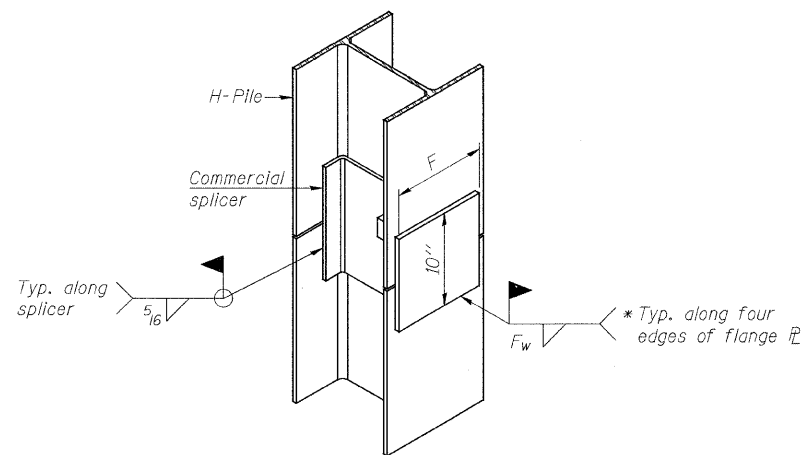


ELEVATION



DETAIL A

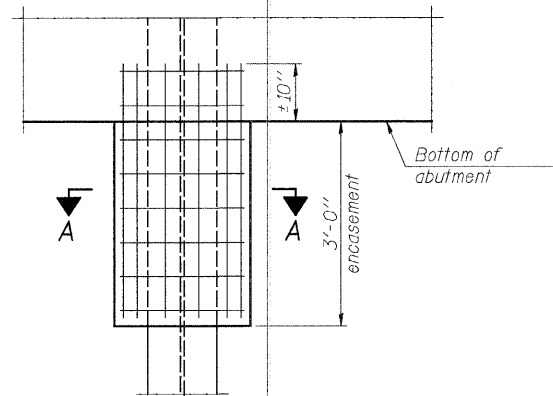
H-PILE SHOE ATTACHMENT



ISOMETRIC VIEW

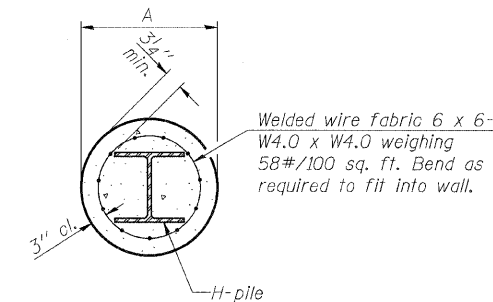
WELDED COMMERCIAL SPLICE ALTERNATE

- * Interrupt welds 1/4" from end of web and/or each flange.
- ** Remove portions of backup plates that extend outside the flanges.
- *** Weld size per pile shoe manufacturer (5/16" min.).



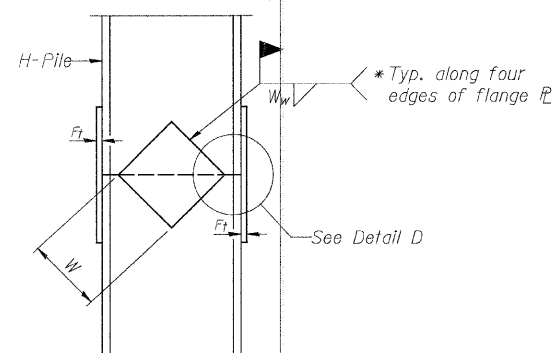
ELEVATION

PILE ENCASEMENT

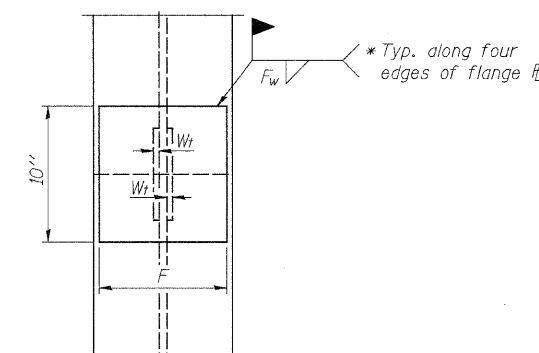


SECTION A-A

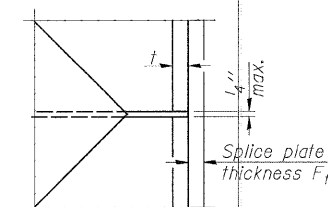
Note:
Forms for encasement may be omitted when soil conditions permit.



ELEVATION



END VIEW



DETAIL D

WELDED PLATE FIELD SPLICE

| Designation | F | F _t | F _w | W | W _t | W _w |
|-------------|---------|----------------|----------------|--------|----------------|----------------|
| HP 14x117 | 12 1/2" | 1" | 7/8" | 7 3/4" | 5/8" | 1/2" |
| x102 | 12 1/2" | 7/8" | 3/4" | 7 3/4" | 5/8" | 1/2" |
| x89 | 12 1/2" | 3/4" | 1/16" | 7 3/4" | 5/8" | 1/2" |
| x73 | 12 1/2" | 5/8" | 9/16" | 7 3/4" | 5/8" | 1/2" |
| HP 12x84 | 10" | 7/8" | 1/16" | 6 1/2" | 5/8" | 1/2" |
| x74 | 10" | 7/8" | 1/16" | 6 1/2" | 5/8" | 1/2" |
| x63 | 10" | 5/8" | 1/2" | 6 1/2" | 1/2" | 3/8" |
| x53 | 10" | 5/8" | 1/2" | 6 1/2" | 1/2" | 3/8" |
| HP 10x57 | 8" | 3/4" | 9/16" | 5 1/4" | 1/2" | 3/8" |
| x42 | 8" | 5/8" | 9/16" | 5 1/4" | 1/2" | 3/8" |
| HP 8x36 | 7" | 5/8" | 7/16" | 4 1/4" | 1/2" | 3/8" |

Note:
The steel H-piles shall be according to AASHTO M270 Grade 50.

FILE NAME = S:\PROJECTS\2010\1285010_BureauCo.TR240\DESIGN\STRUCTURE Drawings\1285010Steel\HP11ing.dgn

| | | |
|--------------|-------------------|-----------|
| USER NAME = | DESIGNED - B.S.K. | REVISED - |
| PLOT SCALE = | CHECKED - B.K.C. | REVISED - |
| PLOT DATE = | DRAWN - F.D.L. | REVISED - |
| | CHECKED - M.A.C. | REVISED - |

BUREAU COUNTY
T.R. 240 OVER PLOW HOLLOW CREEK
STATION 15 + 00

HP PILE DETAILS
STRUCTURE NO. 006-4012

STRUCTURAL SHEET NO. 8 OF 9 SHEETS

| | | | | |
|---|------------------------|--------------------|-----------------|--------------|
| TWP. R.T.E. 240 | SECTION 10-01121-00-BR | COUNTY BUREAU | TOTAL SHEETS 23 | SHEET NO. 17 |
| WHA# 1285010 | | CONTRACT NO. 87483 | | |
| ILLINOIS FED. AID PROJECT 8ROS-001(075) | | | | |