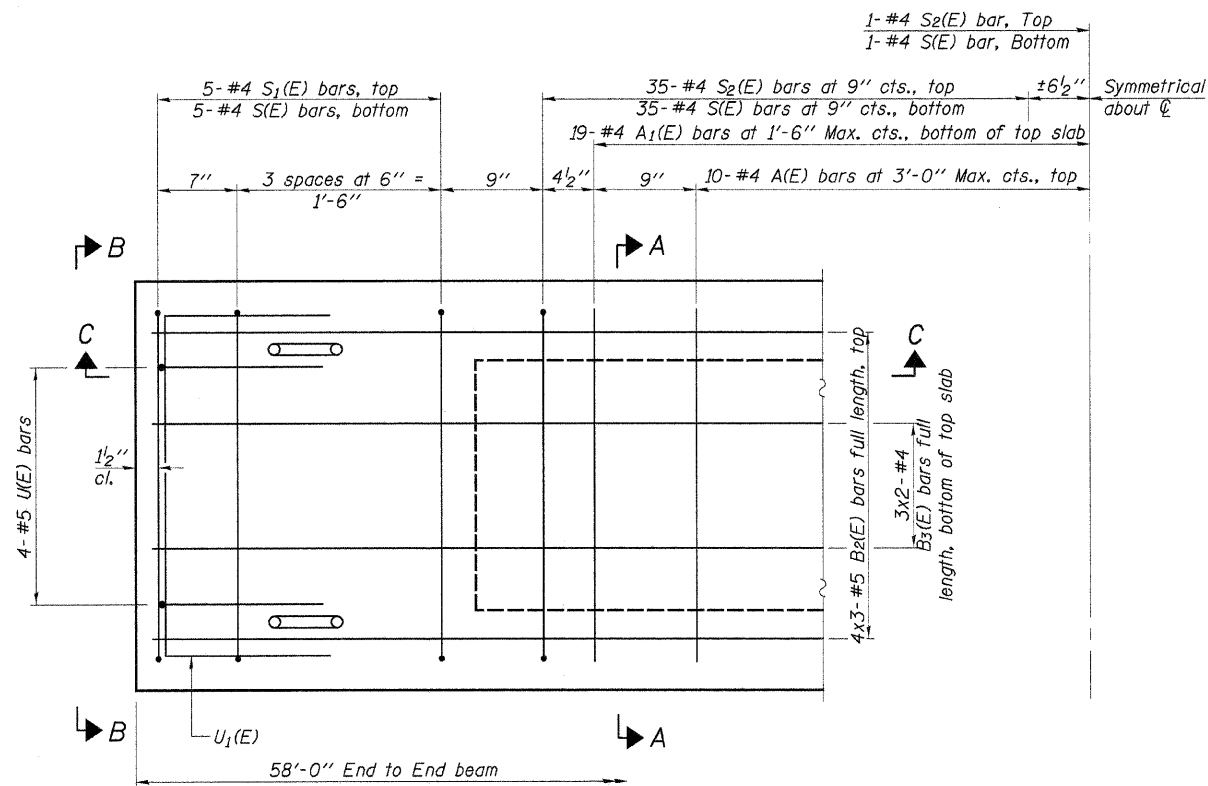


SECTION C-C



PLAN VIEW

Note: Spacing of S(E) and S₂(E) bars may be adjusted up to 4" in the immediate area of the transverse tie diaphragms to miss the block outs for the transverse ties.

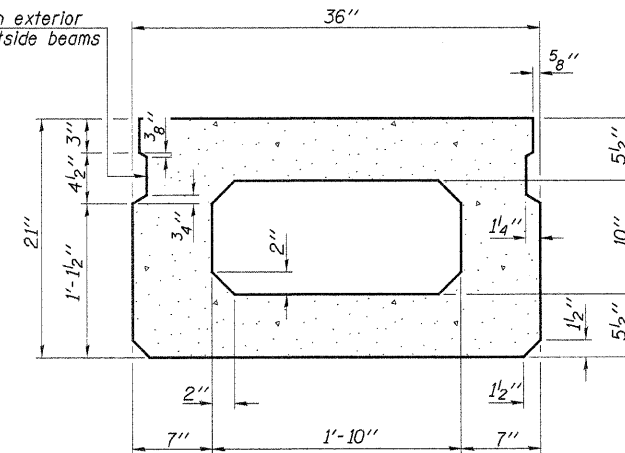
Bars indicated thus, 4x3-#5 bars etc., indicates 4 lines of bars with 3 lengths per line.

DESIGNED -	A.L.S.
CHECKED -	A.R.K.
DRAWN -	S.A.P.
CHECKED -	A.L.S. & A.R.K.

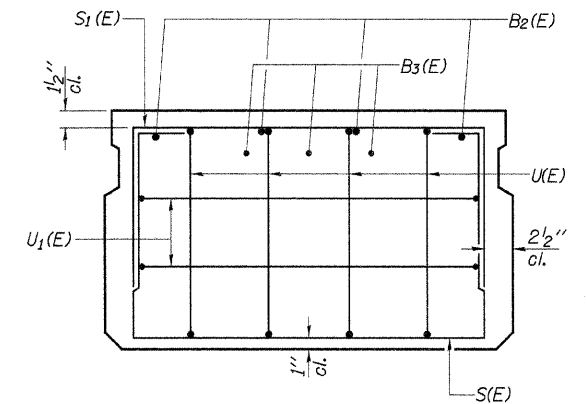
PDB-2136-0

03-12-10

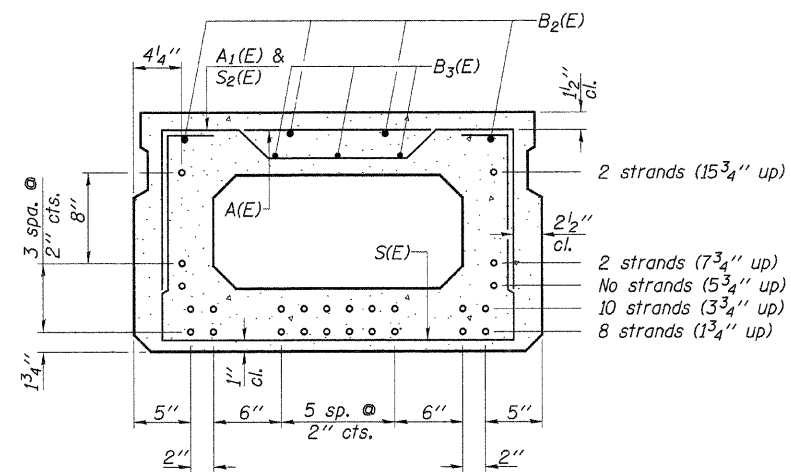
Omit key on exterior face of outside beams



SECTION A-A
(Showing dimensions)



VIEW B-B



Use 22-1/2" φ strands at the locations shown.

SECTION A-A

(Showing reinforcement and permissible strand locations)

Note: Place the number of strands specified in each row symmetrically about the centerline of beam in the permissible strand locations shown.

MIN. BAR LAPS

#4	2'-0"
#5	2'-6"

BAR LIST

ONE BEAM ONLY - SPAN 2

(For information only)

Bar	No.	Size	Length	Shape
A(E)	19	#4	2'-7"	—
A ₁ (E)	37	#4	2'-10"	—
B ₂ (E)	12	#5	20'-11"	—
B ₃ (E)	6	#4	30'-0"	—
S(E)	81	#4	6'-5"	□
S ₁ (E)	10	#4	4'-11"	□
S ₂ (E)	71	#4	5'-2"	□
UK(E)	8	#5	4'-0"	□
U ₁ (E)	4	#4	5'-0"	□

Note: See sheet 9 for additional details and Bill of Material. Reinforcement bars designated (E) shall be epoxy coated.

21" X 36" PPC DECK BEAM - SPAN 2

S.N. 021-4307

 FEHR-GRAHAM & ASSOCIATES, LLC ENGINEERING AND SCIENCE CONSULTANTS FREEPORT, IL ROCKFORD, IL ROCHELLE, IL MONROE, WI SPRINGFIELD, IL 4440 ASH GROVE SPRINGFIELD, IL 62711 (217)-793-8600 www.fehr-graham.com	TWP. RTE.	SECTION	COUNTY	TOTAL SHEETS	SHEET NO.
	56	09-05123-01-BR	DOUGLAS	19	8
			CONTRACT NO. 91433		
GARRETT ROAD DIST. ILLINOIS					