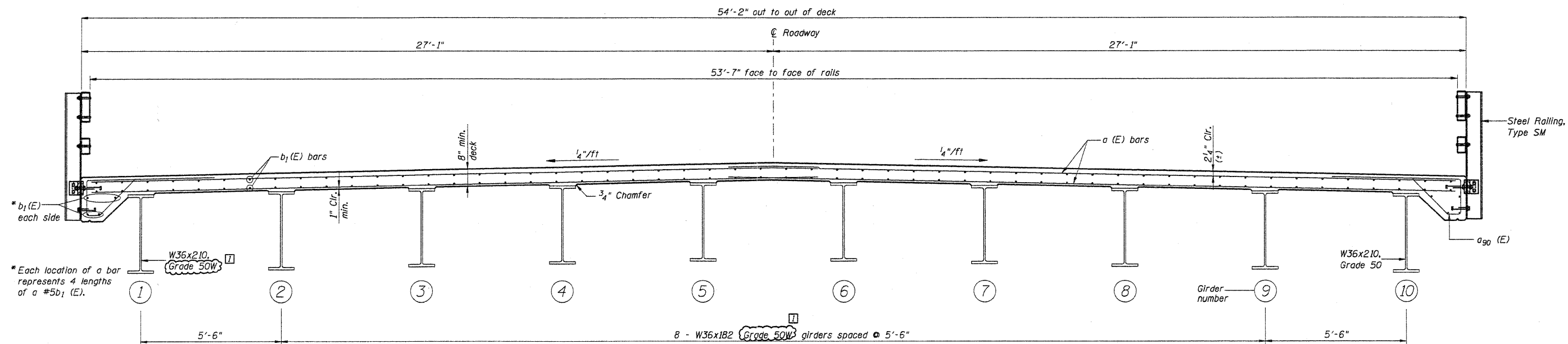
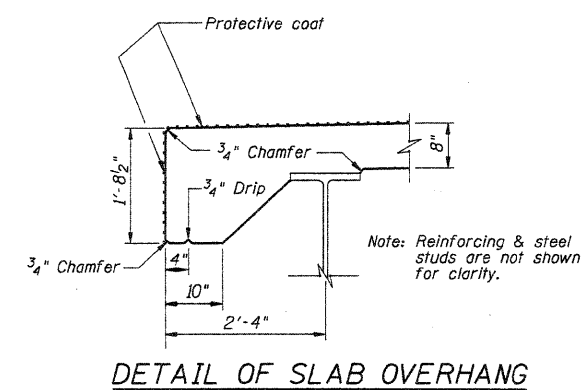
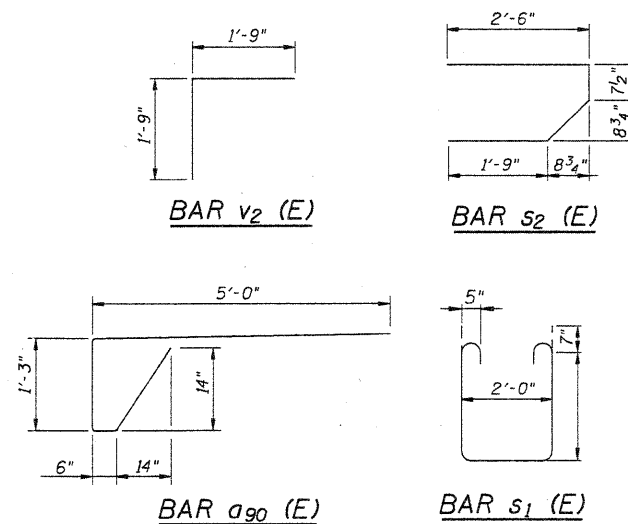


ROUTE NO.	SECTION	COUNTY	TOTAL SHEETS	SHEET NO.
FAS1523	#	CHAMPAIGN	38	28
FED. ROAD DIST. NO. 7	ILLINOIS	FED. AID PROJECT-		

* 09-00956-00-BR
Contract No. 91452



SUPERSTRUCTURE SECTION
looking upstation



Work Sheets 27 & 28 together.

DSGN	J. Hoffmann	5/11	Correct Steel Type		
DR	B.A. Clark				
CHK	J.R. Wolf				
APVD	J.A. Frauenhoffer	NO.	DATE	REVISION	BY

FRAUENHOFFER & ASSOCIATES
A Division of Engineering Resource Associates, Inc.
Consulting Engineers, Scientists, & Surveyors

3002 CROSSING COURT
CHAMPAIGN, IL 61822
PHONE (217) 351-5266
FAX (217) 355-1902

SUPERSTRUCTURE (SHEET 2 OF 2)
FAS 1523 (CH 55) OVER UPPER SALT FORK
SEC 09-00956-00-BR
CHAMPAIGN COUNTY

SHEET	28
DWG NO.	7052sup.dgn
DATE	FEB 2011
PROJ NO.	7052