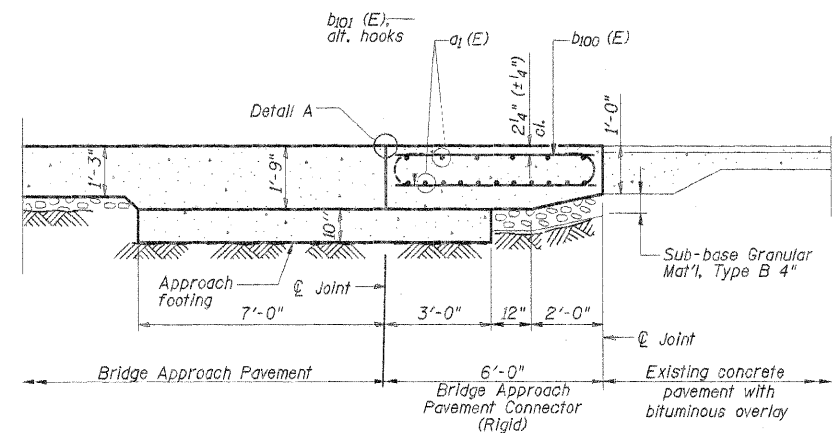
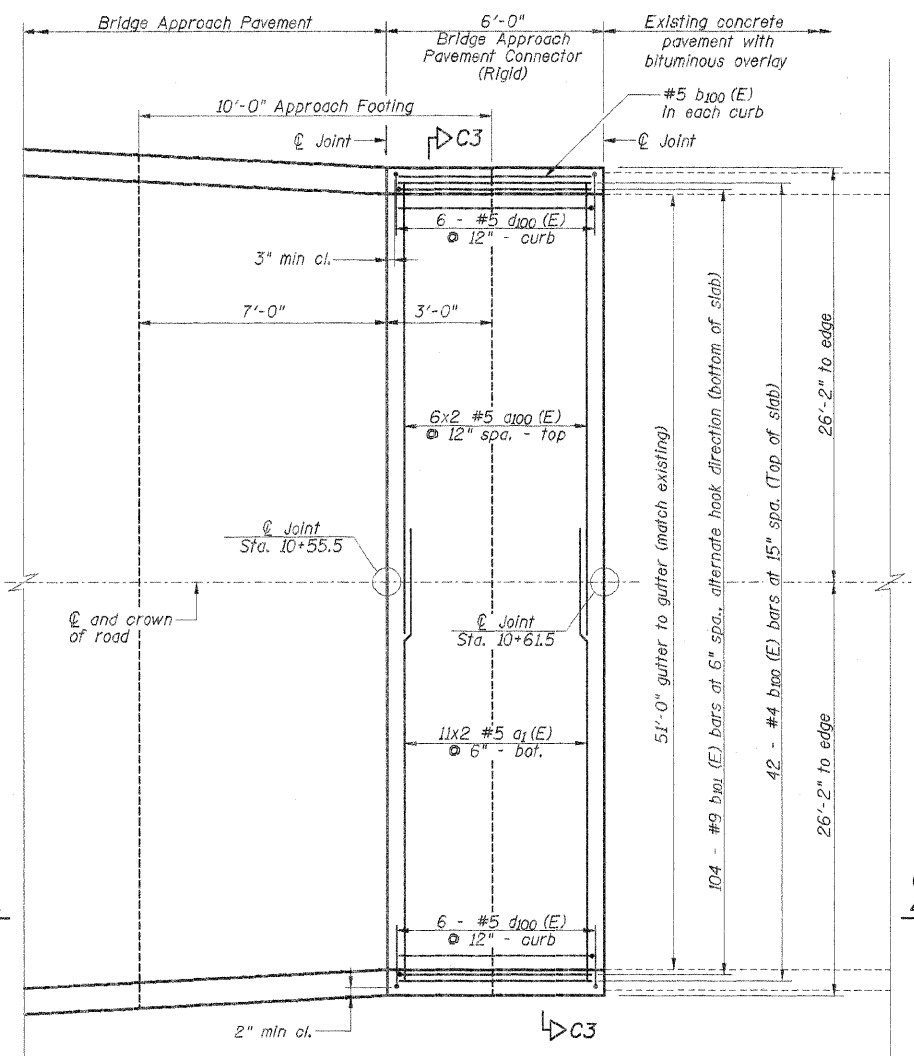


ROUTE NO.	SECTION	COUNTY	TOTAL SHEETS	SHEET NO.
FAS1523	#	CHAMPAIGN	38	13
FED. ROAD DIST. NO. 7		ILLINOIS FED. AID PROJECT		

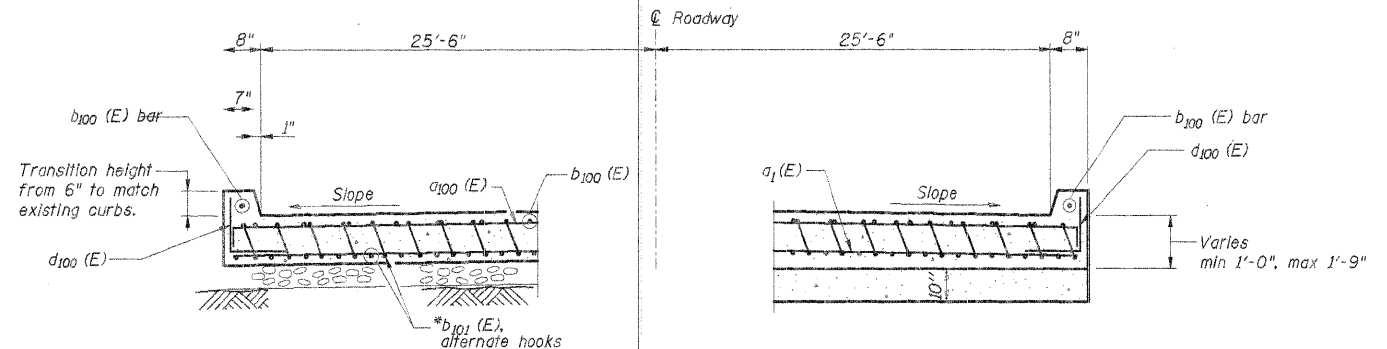
* 09-00956-00-BR
Contract No. 91452



SECTION C1-C1

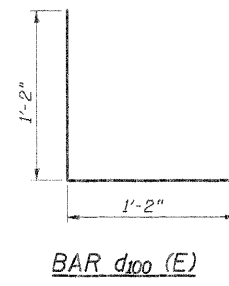


PLAN

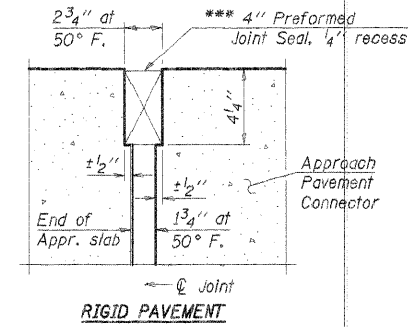


SECTION C3-C3

* Tilt hooked #9b101(E) bars as required to maintain clearance.

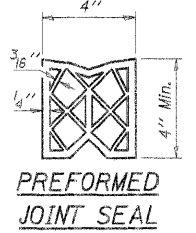


BAR d100(E)



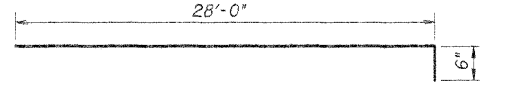
DETAIL A

*** Cost is incidental to Concrete Superstructure.

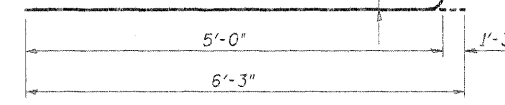


PREFORMED JOINT SEAL

NOTE: Contractor shall cut 6" leg in field to accommodate variable curb height. Maintain 2" clear.



BAR a100(E)



BAR b101(E)

**BILL OF MATERIAL
NORTH BRIDGE APPROACH
PAVEMENT CONNECTOR (RIGID)**

Bar	No.	Size	Length	Shape
a1(E)	22	# 5	29'-0"	—
d100(E)	12	# 5	29'-2"	—
b100(E)	44	# 4	5'-6"	—
b101(E)	104	# 9	6'-3"	—
d100(E)	12	#5	2'-4"	—
Reinforcement Bars, Epoxy Coated			Lbs.	3440
Concrete Superstructure			Cu. Yds.	21.5
Bridge Deck Grooving			Sq. Yds.	34
Protective Coat			Sq. Yds.	36
Sub-base Granular Mat'l Type B, 4"			Sq. Yds.	18

DSGN	K.J. Hoffmann				
DR	B.A. Clark				
CHK	J.R. Wolf				
APVD	J.A. Fraunhoffer				
NO.	DATE	REVISION	BY	APVD	

FRAUNHOFER & ASSOCIATES
A Division of Engineering Resource Associates, Inc.
Consulting Engineers, Scientists, & Surveyors

3002 CROSSING COURT
CHAMPAIGN, IL 61822
PHONE (217) 351-6268
FAX (217) 355-1802

N. BRIDGE APPROACH PAV'T CONNECTOR (RIGID)
FAS 1523 (CH 55) OVER UPPER SALT FORK
SEC 09-00956-00-BR
CHAMPAIGN COUNTY

SHEET	13
DWG NO.	7052acor.dgn
DATE	FEB 2011
PROJ NO.	7052