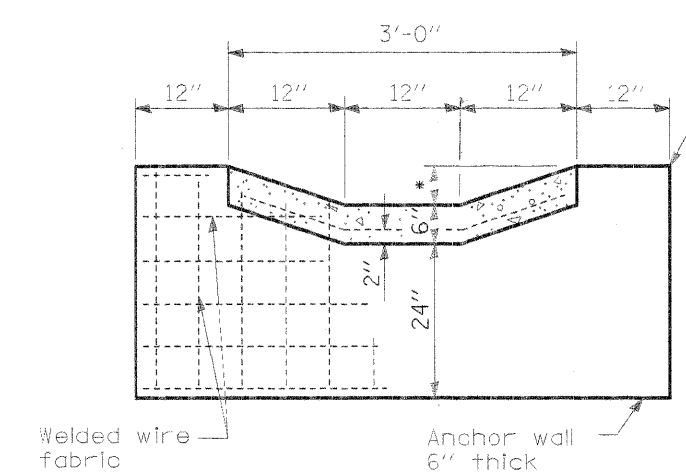


ROUTE ID	SECTION	COUNTY	SHEET NO.	TOTAL SHEETS
FAS1523	#	CHAMPAIGN	38	16
FED. ROAD DES. NO. 7		ILL. 308 FED. AID PROJECT		

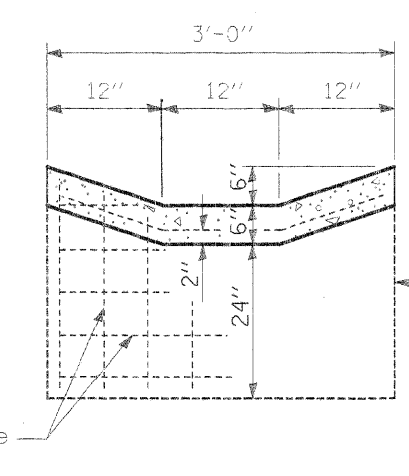
* 09-00956-00-BR
Contract No. 91452

* = Equal to curb height where abuts against the approach pavement. Transition to a height of 6 inches.



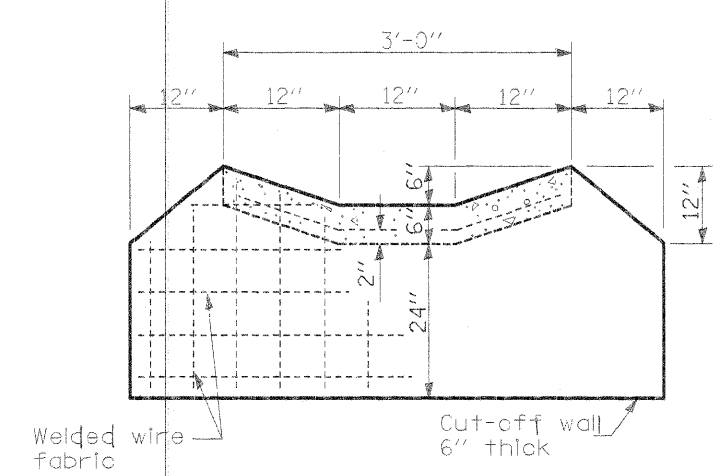
ELEVATION
PAVED DITCH - UPSTREAM END

Top of anchor wall shall conform to the top of the adjacent curb line.



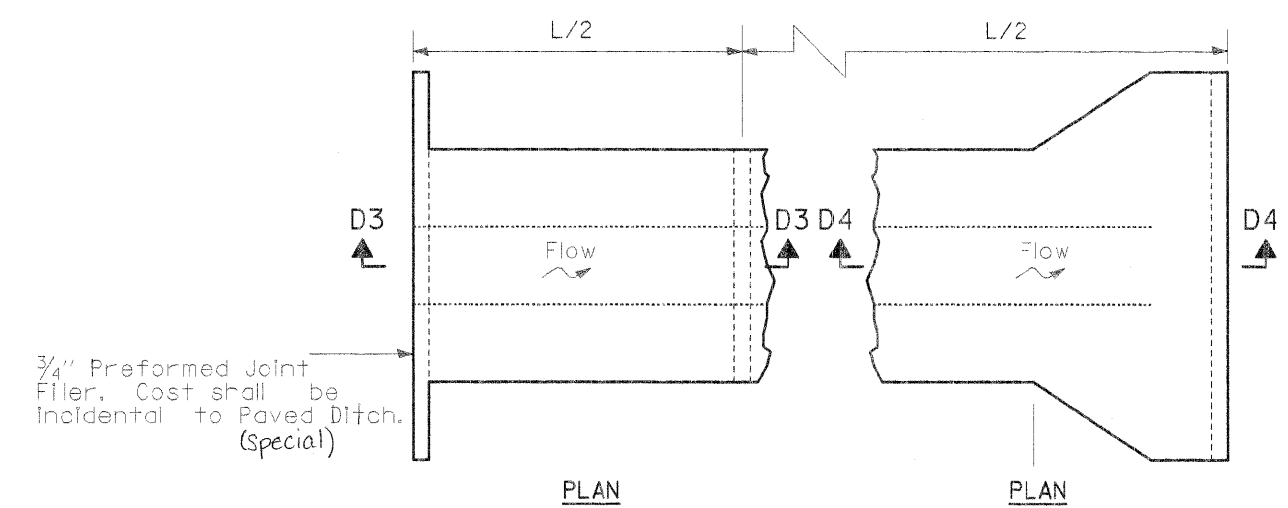
ELEVATION
PAVED DITCH

Anchor wall 6" thick



ELEVATION
PAVED DITCH - DOWNSTREAM END

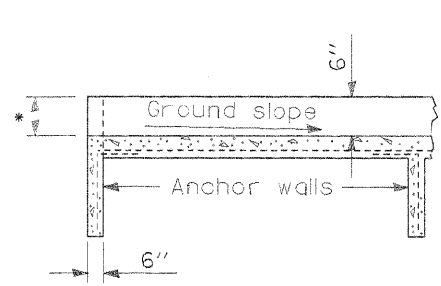
Cut-off wall 6" thick



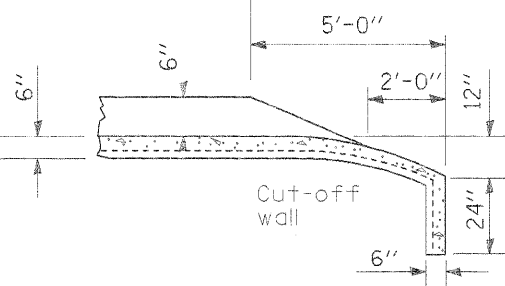
3/4" Preformed Joint Filer. Cost shall be incidental to Paved Ditch. (Special)

PLAN

PLAN



SECTION D3-D3



SECTION D4-D4

DETAIL OF UPSTREAM END

DETAIL OF DOWNSTREAM END

PAVED DITCH - GENERAL NOTES

- Approximate Concrete Areas:
- Paved Ditch (Special) = 0.36 Sq. Yds./Ft. wall
 - Anchor Wall (upstream) = 1.39 Sq. Yds.
 - Anchor Wall (at L/2) = 0.72 Sq. Yds.
 - Cut-off Wall & Flare = 17.35 Sq. Yds.

The cost of concrete & welded wire fabric is incidental to the cost of "PAVED DITCH (SPECIAL)".

DSGN	K.J. Hoffmann				
DR	N.J. Liggett				
CHK	J.R. Wolf				
APVD	A. Fraenhoffer	NO.	DATE	REVISION	BY

FRAUENHOFER & ASSOCIATES
A Division of Engineering Resource Associates, Inc.
Consulting Engineers, Scientists, & Surveyors

3002 CROSSING COURT
CHAMPAIGN, IL 61822
PHONE (217) 351-6268
FAX (217) 355-1902

PAVED DITCH (SPECIAL) (SHEET 1 OF 2)
FAS 1523 (CH 55) OVER UPPER SALT FORK
SEC 09-00956-00-BR
CHAMPAIGN COUNTY

SHEET	16
DWG NO.	7052ditch.dgn
DATE	FEB 2011
PROJ NO.	7052