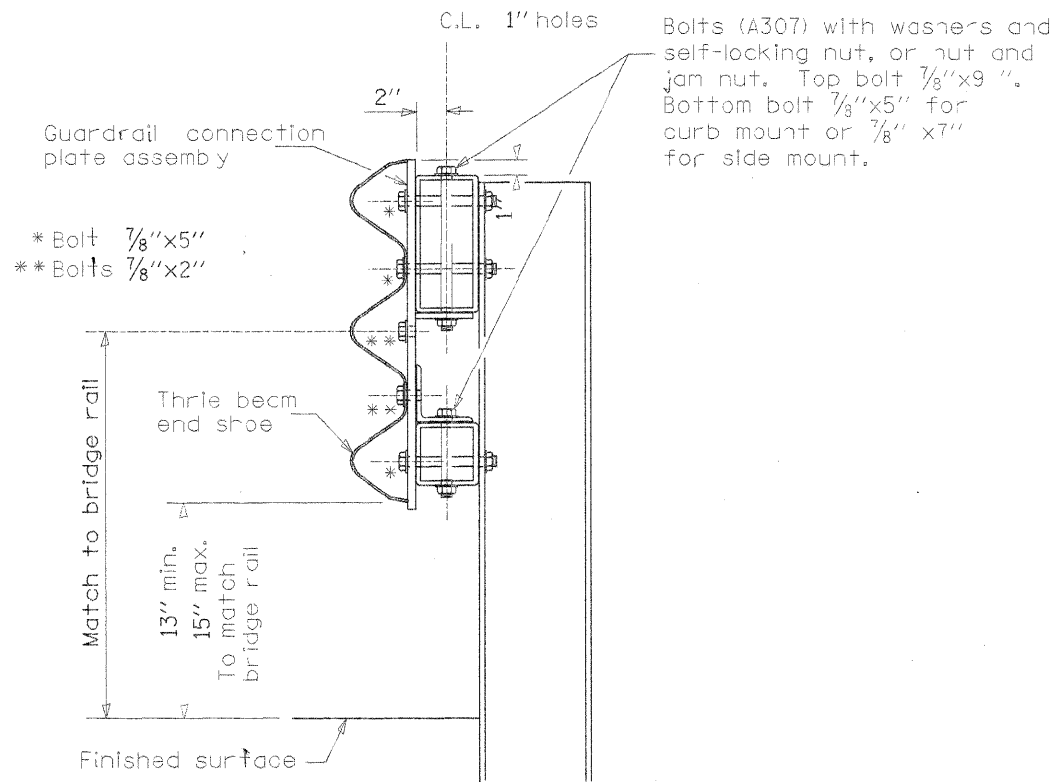


ROUTE NO.	SECTION	COUNTY	SHEET NO.	SHEET NO.
FAS1523	*	CHAMPAIGN	38	19
FED. ROAD DIST. NO. 7		ILLINOIS FED. AID PROJECT		

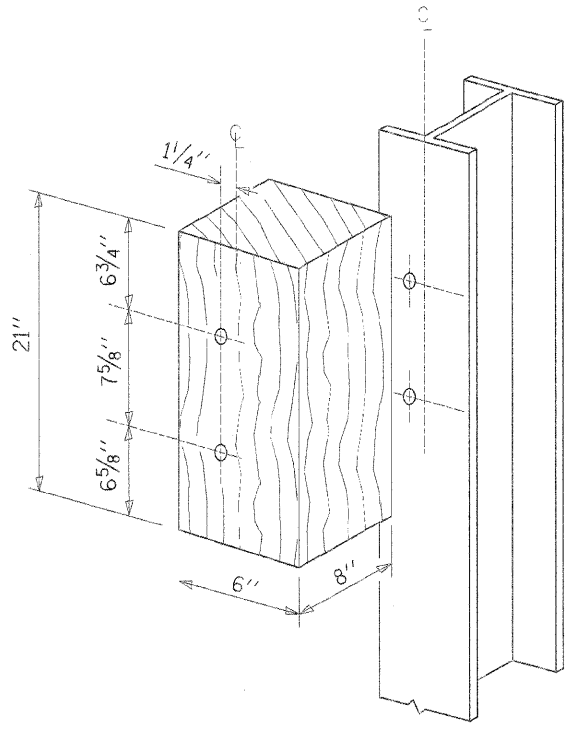
* 09-00956-00-BR
Contract No. 91452



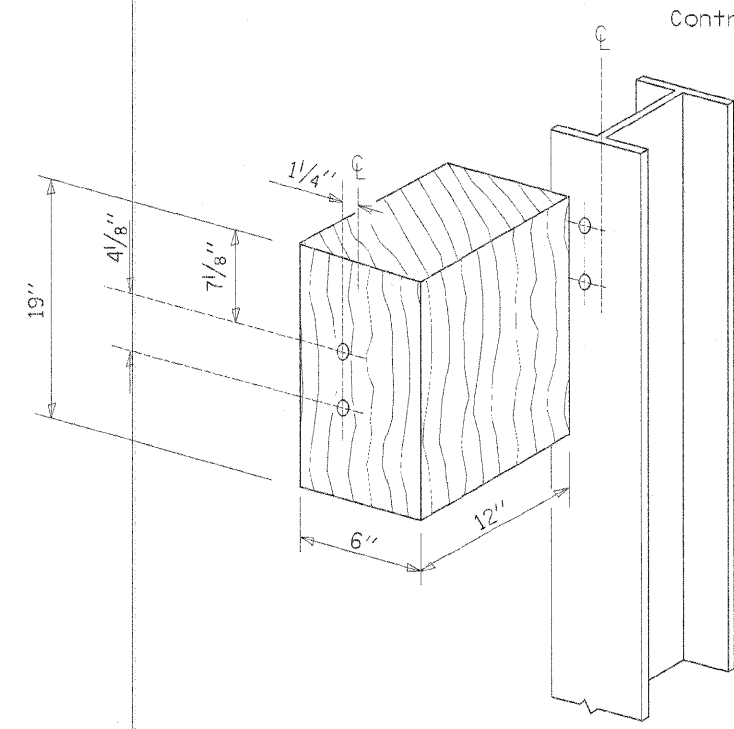
SECTION C-C

Bolts (A307) with washers and self-locking nut, or nut and jam nut. Top bolt 7/8"x9". Bottom bolt 7/8"x5" for curb mount or 7/8"x7" for side mount.

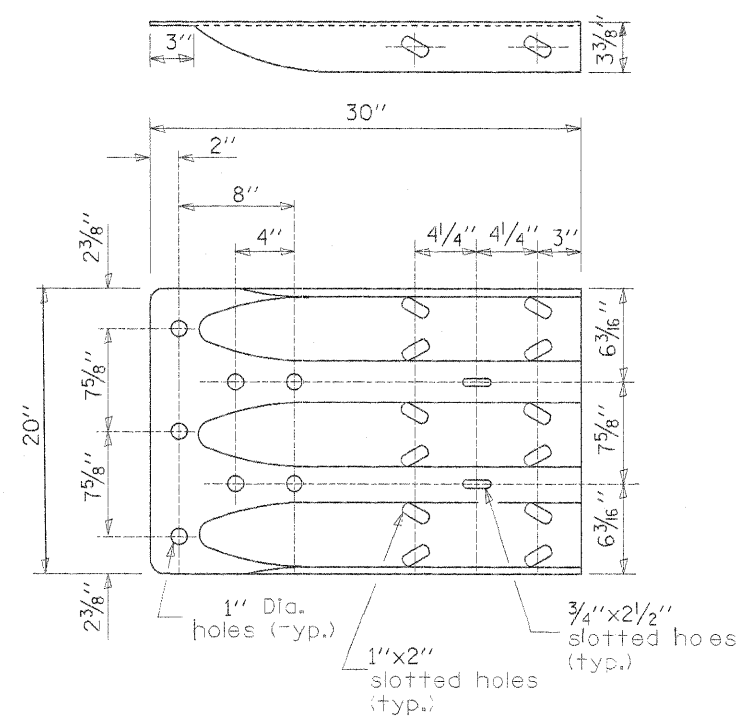
* Bolt 7/8"x5"
* Bolts 7/8"x2"



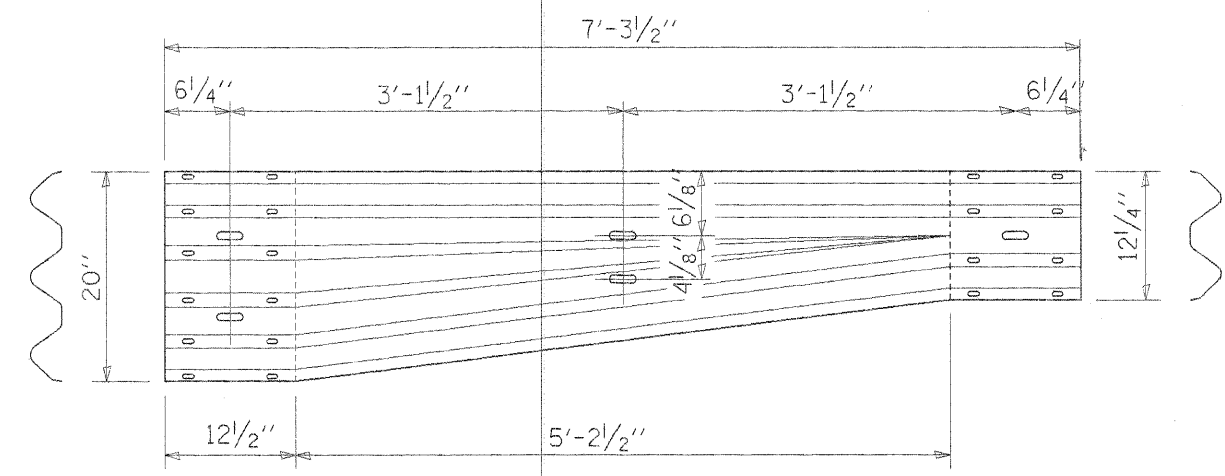
POSTS 1-11 WOOD BLOCKOUT DETAIL



POSTS 12-13 WOOD BLOCKOUT DETAIL



MODIFIED THRIE BEAM END SHOE DETAIL



TRANSITION SECTION
(10 gauge rail element)

Sheet 2 of 5

DSGN	K.J. Hoffmann				
DR	K.J. Hoffmann				
CHK	J.R. Wolf				
APVD	J.A. Fraunhoffer	NO.	DATE	REVISION	BY
					APVD

FRAUENHOFFER & ASSOCIATES
A Division of Engineering Resource Associates, Inc.
Consulting Engineers, Scientists, & Surveyors

3002 CROSSING COURT
CHAMPAIGN, IL 61822
PHONE (217) 351-6268
FAX (217) 355-1902

TRAFFIC BARRIER TERMINAL TYPE 6A (SPECIAL)
FAS 1523 (CH 55) OVER UPPER SALT FORK
SEC 09-00956-00-BR
CHAMPAIGN COUNTY

SHEET	19
DWG NO.	7052*16A.dgn
DATE	FEB 2011
PROJ NO.	7052