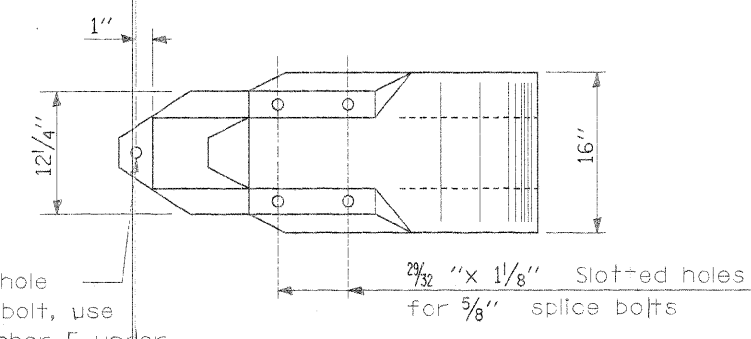
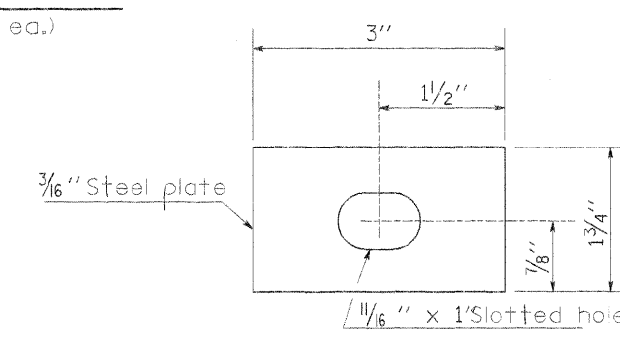
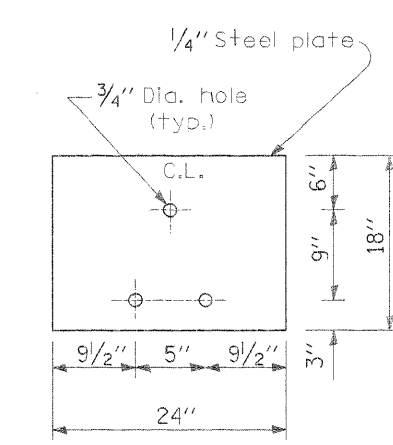
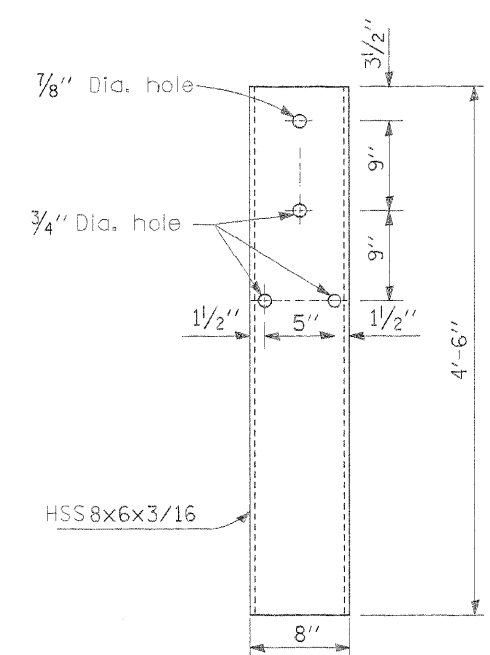
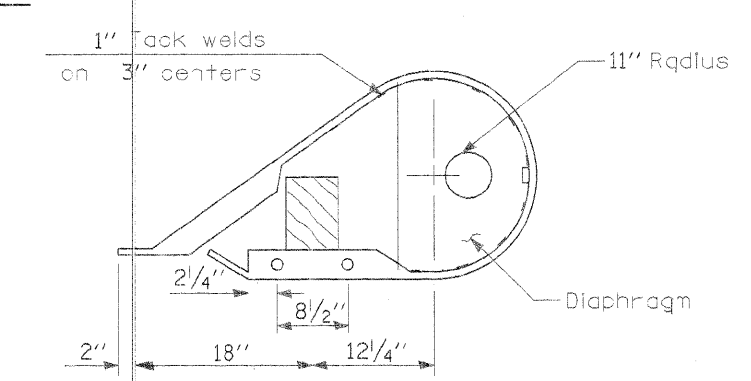
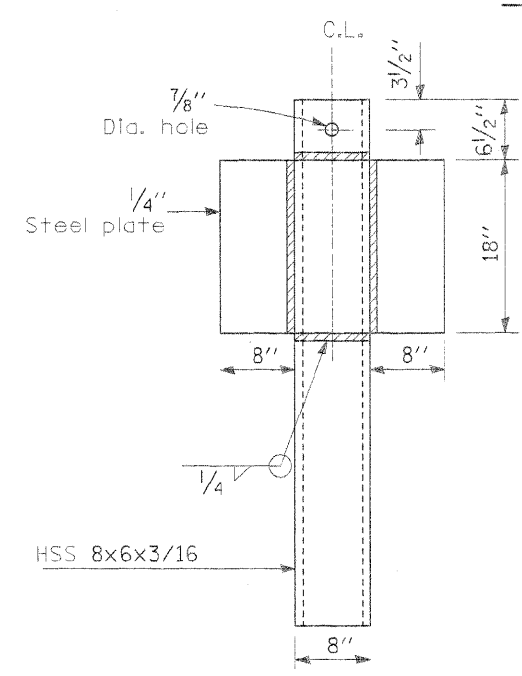
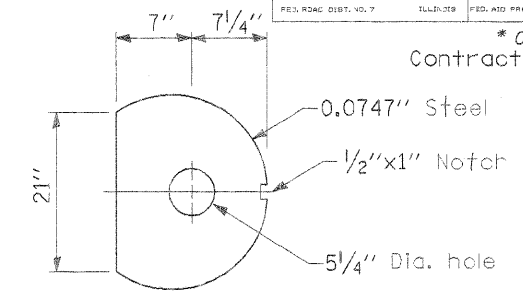
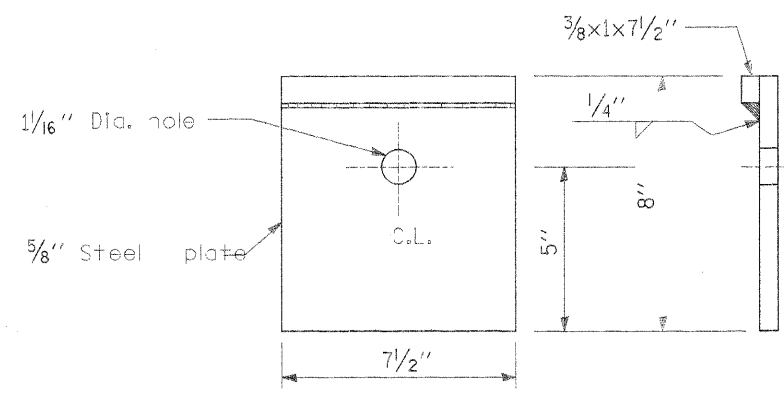
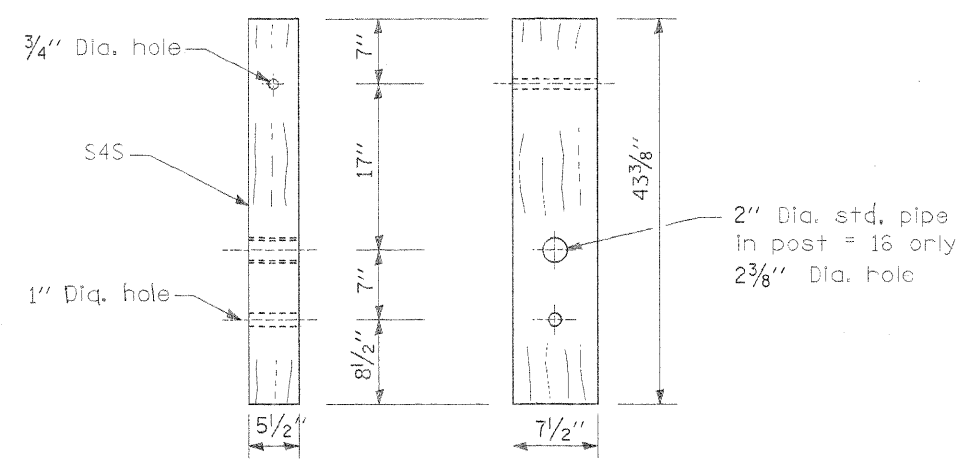


ROUTE NO.	SECTION	COUNTY	SHEET NO.	SHEET NO.
FAS1523	*	CHAMPAIGN	38	21
FED. ROAD DIST. NO. 7	ILLINOIS	FED. AID PROJECT		

* 09-00956-00-BR
Contract No. 91452



3/4" Dia. hole for 5/8" bolt, use plate Washer F under head and nut at this bolt only.

Sheet 4 of 5

DSGN	K.J. Hoffmann				
DR	K.J. Hoffmann				
CHK	J.R. Wolf				
APVD	J.A. Fraunhoffer	NO.	DATE	REVISION	BY
					APVD

FRAUENHOFFER & ASSOCIATES
A Division of Engineering Resource Associates, Inc.
Consulting Engineers, Scientists, & Surveyors

3002 CROSSING COURT
CHAMPAIGN, IL 61822
PHONE (217) 351-6266
FAX (217) 355-1902

TRAFFIC BARRIER TERMINAL TYPE 6A (SPECIAL)		SHEET 21
FAS 1523 (CH 55) OVER UPPER SALT FORK SEC 09-00956-00-BR CHAMPAIGN COUNTY		DWG NO. 70E2*6A.dgn
		DATE FEB 2011
		PROJ NO. 7052