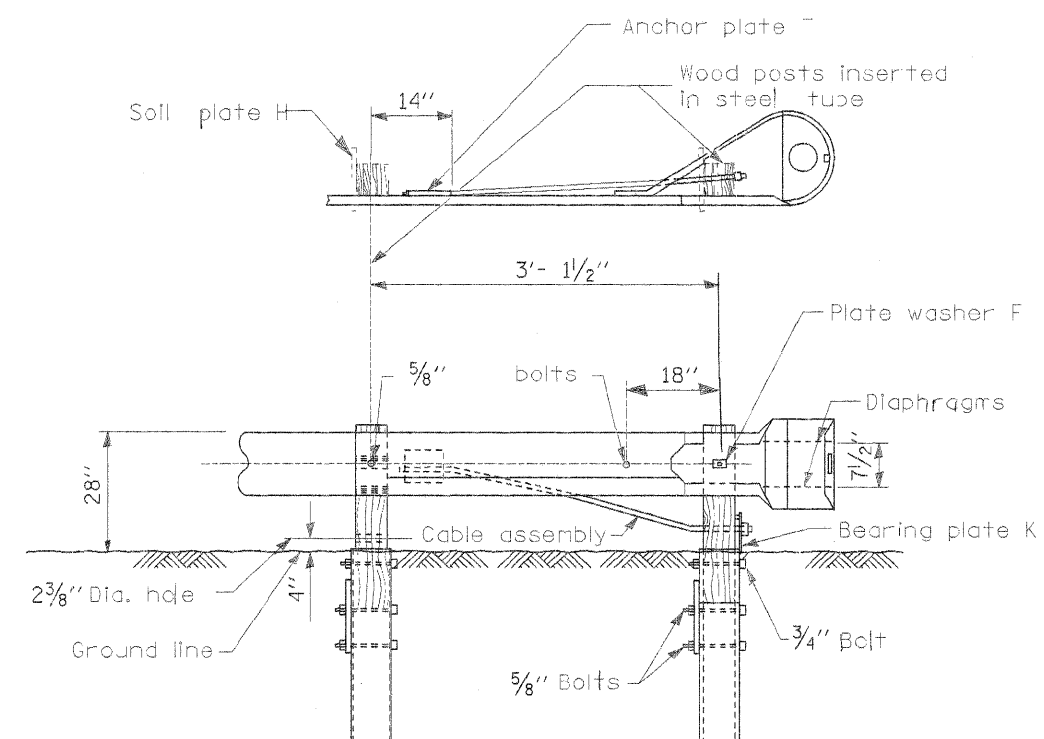
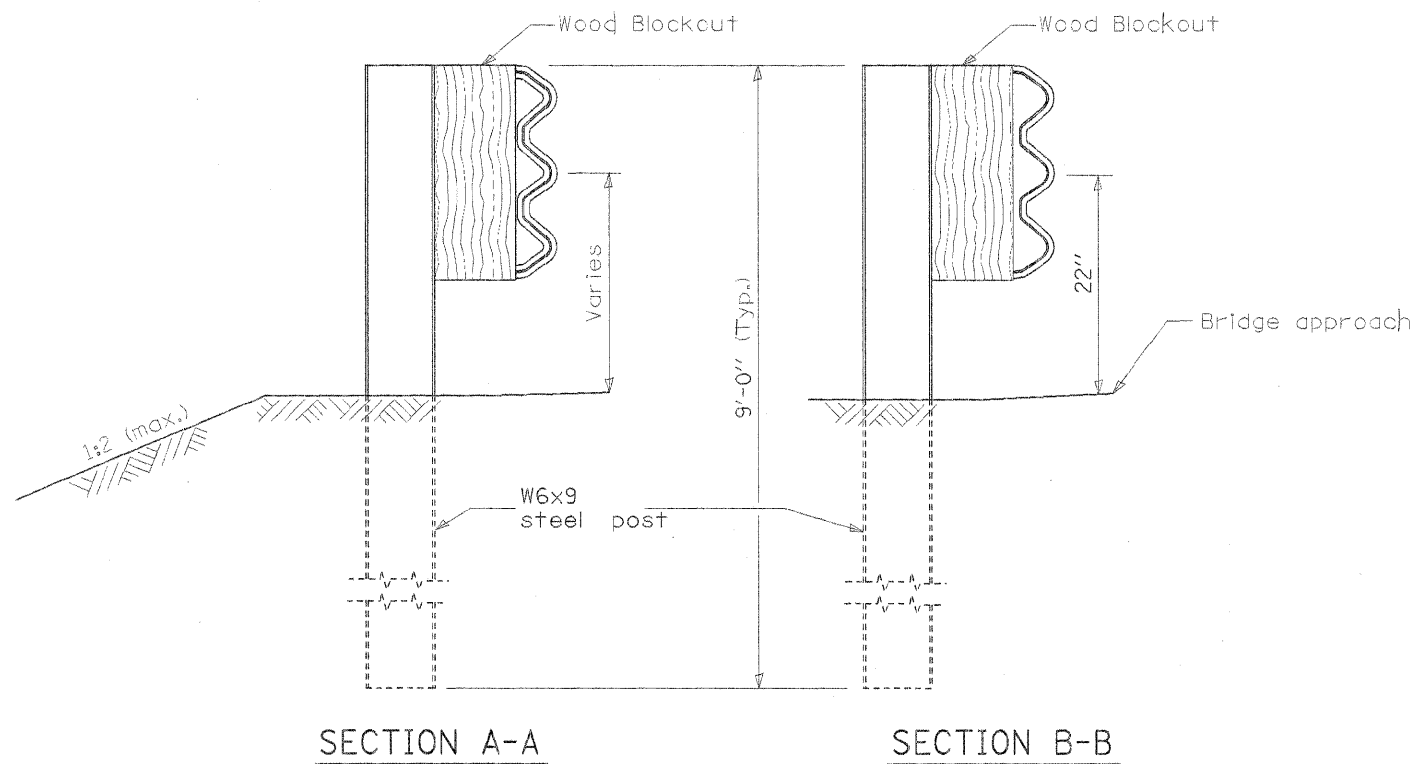


ROUTE NO.	SECTION	COUNTY	TOTAL SHEETS	SHEET NO.
FAS1523	#	CHAMPAIGN	38	22
FED. ROAD DIST. NO. 7		ILL. DIST. NO.		FED. AID PROJECT NO.

\* 09-00956-00-BR  
Contract No. 91452



WOOD BREAKAWAY POSTS  
TUBULAR STEEL FOUNDATIONS

**GENERAL NOTES**

See Standard B.L.R. 26 and 630001 for details of guardrail not shown.

The trailing 4 posts shall be wood breakaway posts.

A two-piece assembly may be substituted for the one piece nose shown above.

The bearing plate K shall be held in position by (2) two eight penny nails driven into the post and bent over the top of the plate.

This standard shows attachment to curb mounted bridge rail. Attachment to side mounted bridge rail is similar.

The beam rail shall be bolted to block-out at all posts.

All slope ratios are expressed as units of vertical displacement to units of horizontal displacement (V:H).

All dimensions are in inches unless otherwise shown.

NO.	DATE	REVISION	BY	APVD

**FRAUENHOFER & ASSOCIATES**  
A division of Engineering Resource Associates, Inc.  
Consulting Engineers, Scientists, & Surveyors

3002 CROSSING COURT  
CHAMPAIGN, IL 61822  
PHONE (217) 351-6268  
FAX (217) 355-1902

**TRAFFIC BARRIER TERMINAL TYPE 6A (SPECIAL)**  
FAS 1523 (CH 55) OVER UPPER SALT FORK  
SEC 09-00956-00-BR  
CHAMPAIGN COUNTY

SHEET	22
DWG NO.	7052*6A.dgn
DATE	FEB 2011
PROJ NO.	7052