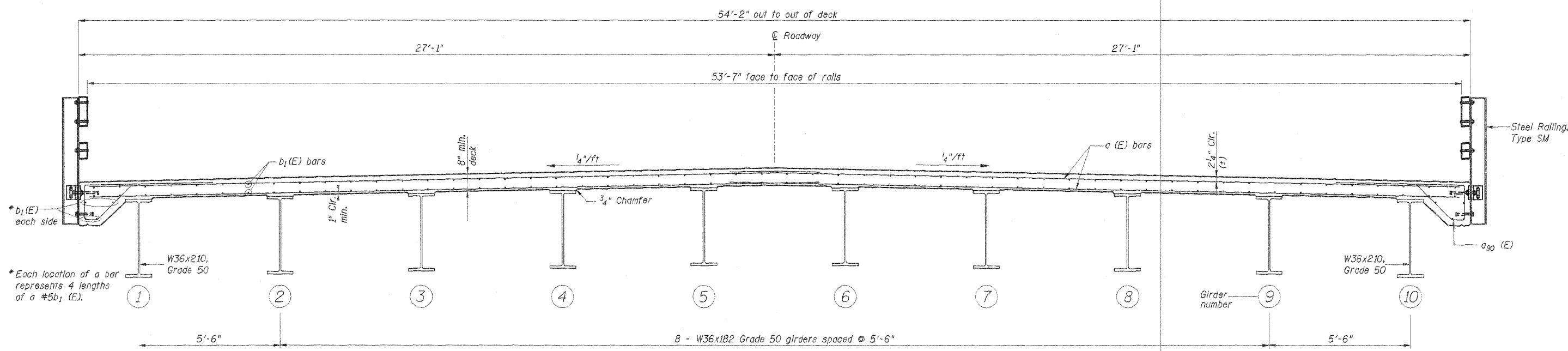
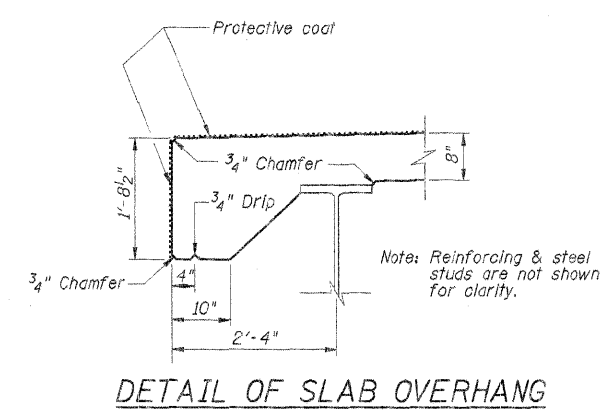
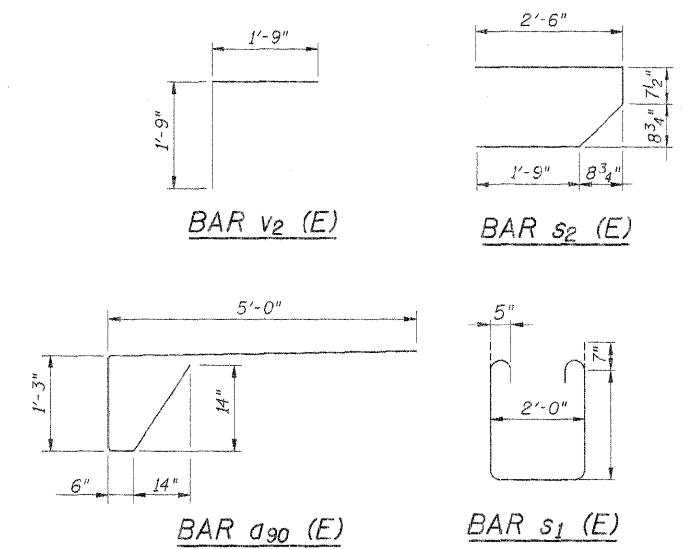


ROUTE NO.	SECTION	COUNTY	SHEET NO.	TOTAL SHEETS
FAS1523	#	CHAMPAIGN	38	28
FED. ROAD DIST. NO. 7		ILL. DIST. NO.		FED. AID PROJECT NO.

* 09-00956-00-BR
Contract No. 91452



SUPERSTRUCTURE SECTION
looking upstation



Work Sheets 27 & 28 together.

DSGN	K.J. Hoffmann				
DR	B.A. Clark				
CHK	J.R. Wolf				
APVD	J.A. Fraenhoffer	NO.	DATE	REVISION	BY
					APVD

FRAUENHOFER & ASSOCIATES
A division of Engineering Resource Associates, Inc.
Consulting Engineers, Scientists, & Surveyors

3002 CROSSING COURT
CHAMPAIGN, IL 61822
PHONE (217) 351-6268
FAX (217) 355-1002

SUPERSTRUCTURE (SHEET 2 OF 2)		SHEET 28
FAS 1523 (CH 55) OVER UPPER SALT FORK		DWG NO. 7052sup.dgn
SEC 09-00956-00-BR		DATE FEB 2011
CHAMPAIGN COUNTY		PROJ NO. 7052