

The diameter of this part is equal or larger than the diameter of bar spliced.

The diameter of this part is the same as the diameter of the bar spliced.

**ROLLED THREAD DOWEL BAR**



**\*\* ONE PIECE**

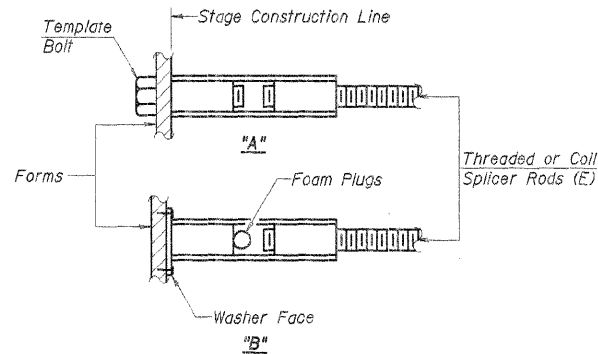
Wire Connector



**WELDED SECTIONS**

**BAR SPLICER ASSEMBLY ALTERNATIVES**

\*\*Heavy Hex Nuts conforming to ASTM A 563, Grade C, D or DH may be used.



**INSTALLATION AND SETTING METHODS**

"A" : Set bar splicer assembly by means of a template bolt.  
"B" : Set bar splicer assembly by nailing to wood forms or cementing to steel forms.  
(E) : Indicates epoxy coating.

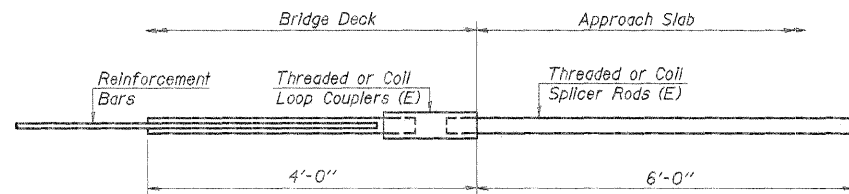
**NOTES**

Bar splicer assemblies shall be of an approved type and shall develop in tension at least 125 percent of the yield strength of the lapped reinforcement bars.  
Splicer rods shall be of minimum 60 ksi yield strength, threaded or coiled full length.  
All reinforcement bars shall be lapped and tied to the splicer rods or dowel bars.  
Bar splicer assemblies shall be epoxy coated according to the requirements for reinforcement bars.  
Other systems of similar design may be submitted to the Engineer for approval. Approval shall be based on certified test results from an approved testing laboratory that the proposed bar splicer assembly satisfies the following requirements:

- ① Minimum Capacity =  $1.25 \times f_y \times A_t$   
(Tension in kips)
- ② Minimum \*Pull-out Strength =  $0.66 \times f_y \times A_t$   
(Tension in kips)

Where  $f_y$  = Yield strength of lapped reinforcement bars in ksi.  
 $A_t$  = Tensile stress area of lapped reinforcement bars.  
\* = 28 day concrete

BAR SPLICER ASSEMBLIES			
Bar Size to be Spliced	Splicer Rod or Dowel Bar Length	Strength Requirements	
		Min. Capacity kips - tension	Min. Pull-Out Strength kips - tension
#4	1'-3"	14.7	7.9
#5	2'-2"	23.0	12.3
#6	2'-7"	33.1	17.4
#7	3'-5"	45.1	23.8
#8	4'-6"	58.9	31.3
#9	5'-9"	75.0	39.6
#10	7'-3"	95.0	50.3
#11	9'-0"	117.4	61.8



**FOR INTEGRAL ABUTMENTS**

Bar Splicer for #5 bar	
Min. Capacity = 23.0 kips - tension	
Min. Pull-out Strength = 12.3 kips - tension	
No. Required = 108	

BSD-1

10-1-08

DSGN	IDOT				
DR	IDOT				
CHK	IDOT				
APVD	A. Fraenhoffer	NO.	DATE	REVISION	BY



**FRAUENHOFER & ASSOCIATES**  
A division of Engineering Resource Associates, Inc.  
Consulting Engineers, Scientists, & Surveyors

3002 CROSSING COURT  
CHAMPAIGN, IL 61822  
PHONE (217) 351-6268  
FAX (217) 355-1902

**BAR SPLICER ASSEMBLY**

FAS 1523 (CH 55) OVER UPPER SALT FORK  
SEC 09-00956-00-BR  
CHAMPAIGN COUNTY

SHEET 29

DWG NO. 7022ABT.dgn  
DATE FEB 2011  
PROJ NO. 7052