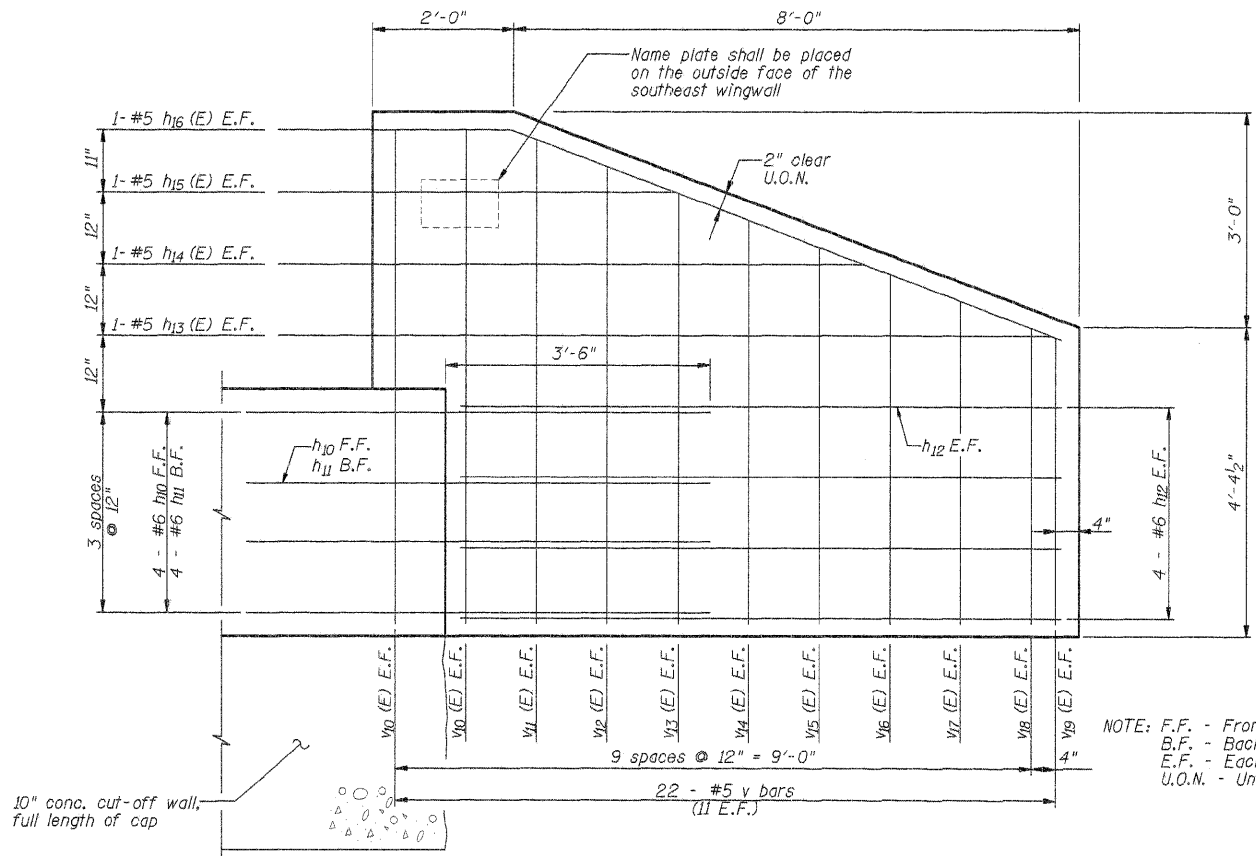
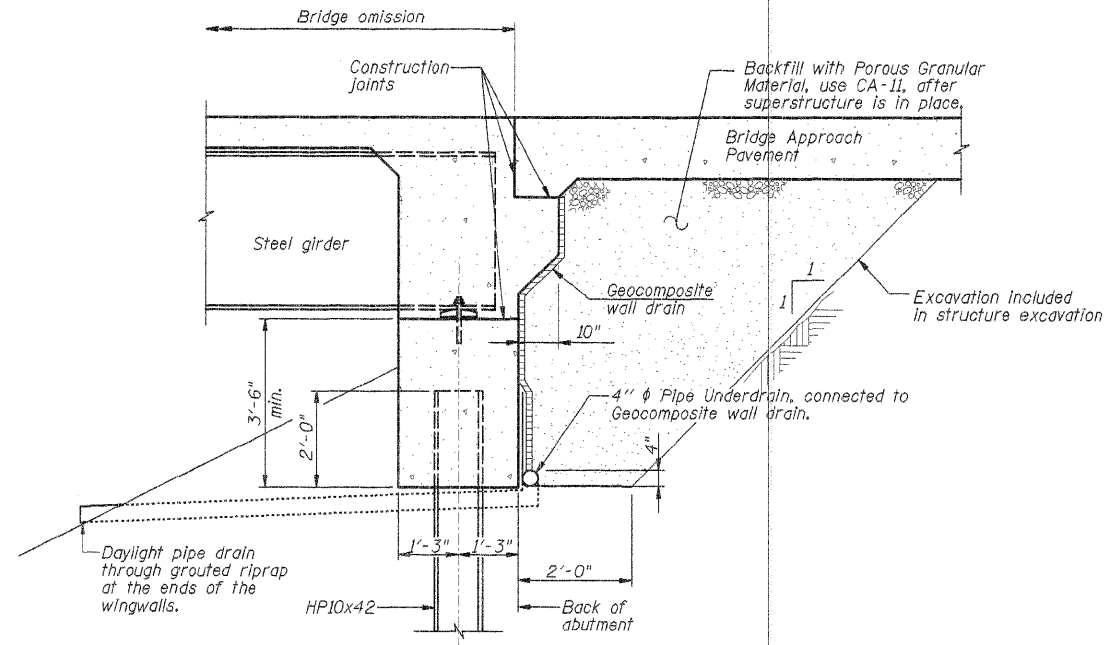


ROUTE NO.	SECTION	COUNTY	TOTAL SHEETS	SHEET NO.
FAS1523	*	CHAMPAIGN	38	36
FED. ROAD DIST. NO. 7	ILLINOIS	FED. AID PROJECT-		

* 09-00956-00-BR
Contract No. 91452



NOTE: F.F. - Front Face
B.F. - Back Face
E.F. - Each Face
U.O.N. - Unless otherwise noted



SECTION THRU INTEGRAL ABUTMENT

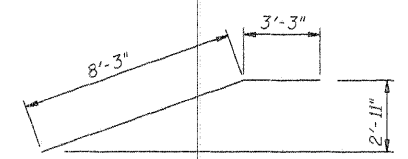
PILE DATA

Location: Abutments
Pile Type and Size: Steel HP 10x42
Nominal Required Bearing: 196 kips
Factored Resistance Available: 98 kips
Estimated Pile Length: 50 ft.
No. of Production Piles: 14 @ North Abutment
14 @ South Abutment
No. of Test Piles: 1 @ North Abutment
1 @ South Abutment

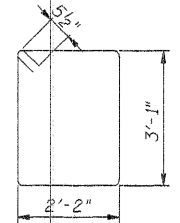
Note: The Steel H-piles shall be according to AASHTO M270 Grade 50.

BILL OF MATERIAL - 2 ABUTS.

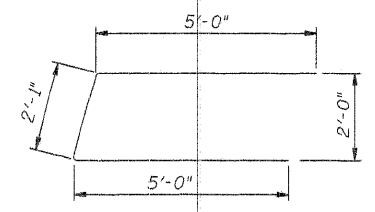
Bar	No.	Size	Length	Shape
h10	16	# 6	5'-2"	—
h11	16	# 6	7'-0"	—
h12	32	# 5	8'-6"	—
h13 (E)	8	# 5	11'-0"	—
h14 (E)	8	# 5	8'-4"	—
h15 (E)	8	# 5	5'-8"	—
h16 (E)	8	# 5	11'-6"	—
P10	40	# 5	30'-6"	—
S10	80	# 5	11'-5"	□
U10	12	# 5	12'-1"	□
v10 (E)	16	# 5	7'-0"	—
v11 (E)	8	# 5	6'-11"	—
v12 (E)	8	# 5	6'-6"	—
v13 (E)	8	# 5	6'-2"	—
v14 (E)	8	# 5	5'-9"	—
v15 (E)	8	# 5	5'-5"	—
v16 (E)	8	# 5	5'-0"	—
v17 (E)	8	# 5	4'-8"	—
v18 (E)	8	# 5	4'-3"	—
v19 (E)	8	# 5	4'-1"	—
Concrete Structures		Cu. Yds.	48.5	
Reinforcement Bars		Lbs.	2960	
Reinforcement Bars, Epoxy Coated		Lbs.	830	
Test Pile, Steel HP10x42	Each		2	
Furnishing Steel Piles	Foot		1400	
Driving Piles	Foot		1400	
Metal Shoes	Each		30	
Name Plate	Each		1	
Concrete Cut-off Wall		Cu. Yds.	10.8	
Structure Excavation		Cu. Yds.	385	
Porous Granular Embankment		Cu. Yds.	160	
Pipe Underdrains		Foot	230	
Geocomposite Wall Drain		Sq. Yds.	115	



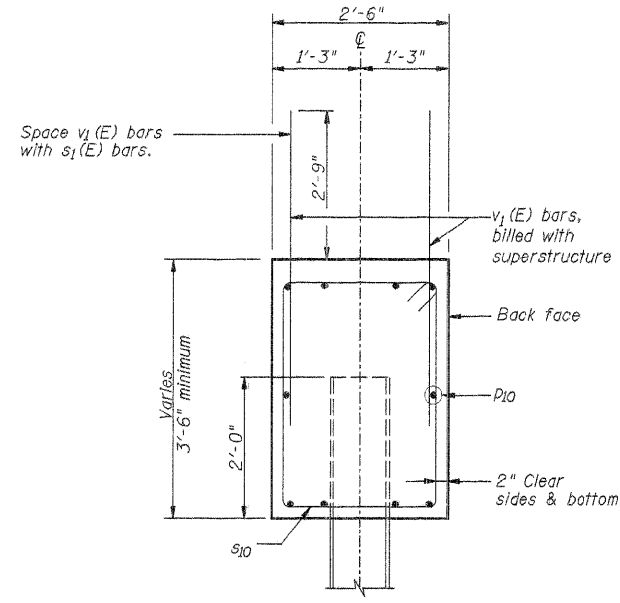
BAR h16



BAR S10



BAR U10



SECTION A
(Perpendicular to CL of Abutment)

Work sheets 35, 36, & 37 together.

DSGN	J. Hoffmann				
DR	S.P. Pirih				
CHK	J.R. Wolf				
APVD	J.A. Fraunhoffer	NO.	DATE	REVISION	BY

FRAUENHOFER & ASSOCIATES
A division of Engineering Resource Associates, Inc.
Consulting Engineers, Scientists, & Surveyors

3002 CROSSING COURT
CHAMPAIGN, IL 61822
PHONE (217) 351-6268
FAX (217) 355-1902

ABUTMENT DETAILS (SHEET 2 OF 3)

FAS 1523 (CH 55) OVER UPPER SALT FORK
SEC 09-00956-00-BR
CHAMPAIGN COUNTY

SHEET	36
DWG NO.	7052ABT.dgn
DATE	FEB 2011
PROJ NO.	7052