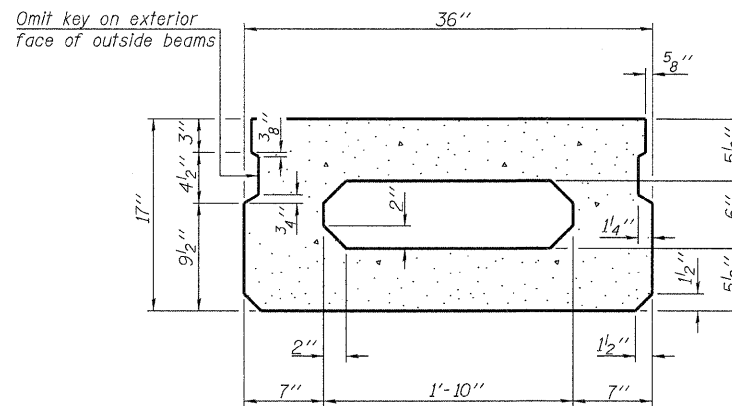
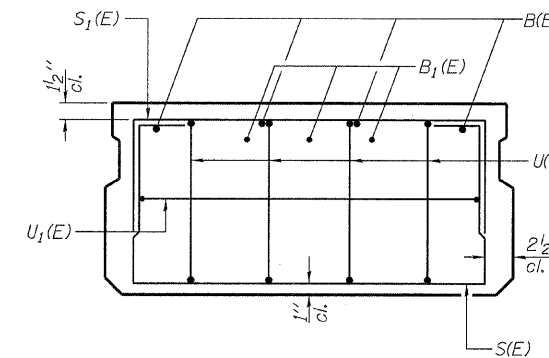


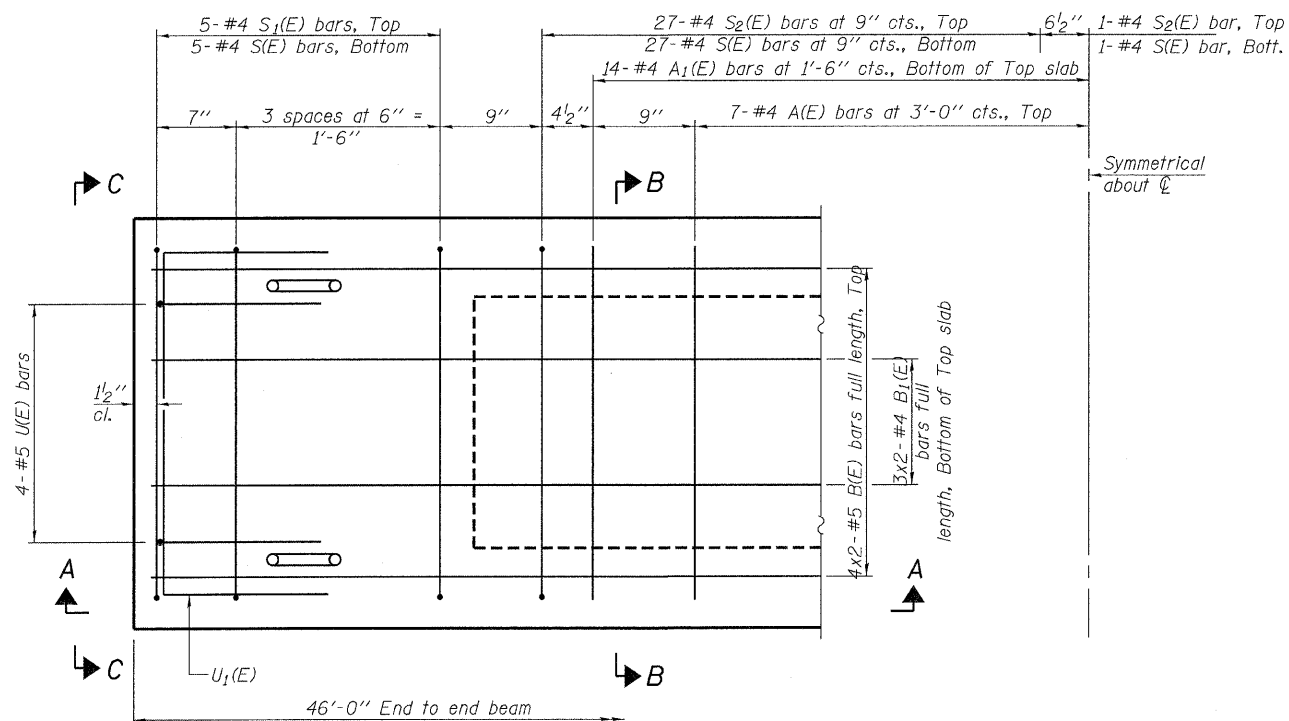
SECTION A-A



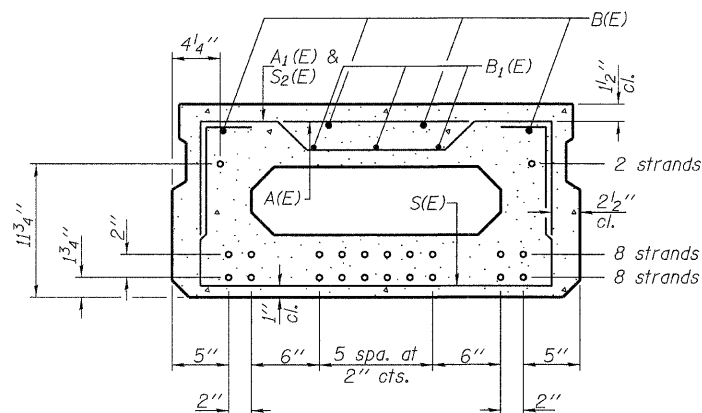
SECTION B-B
(Showing dimensions)



VIEW C-C



PLAN VIEW



SECTION B-B
(Showing reinforcement and permissible strand locations)

Note: Place the number of strands specified in each row symmetrically about the centerline of beam in the permissible strand locations shown.

BAR LIST
ONE BEAM ONLY
(For information only)

Bar	No.	Size	Length	Shape
A(E)	14	#4	2'-7"	—
A1(E)	28	#4	2'-10"	—
B(E)	8	#5	24'-1"	—
B1(E)	6	#4	23'-10"	—
S(E)	65	#4	5'-9"	□
S1(E)	10	#4	4'-3"	□
S2(E)	55	#4	4'-6"	□
U(E)	8	#5	3'-8"	□
U1(E)	2	#4	5'-0"	□

Note: See sheets 3 & 4 of 8 for additional details and Bill of Material.

MINIMUM BAR LAP

#4 bar = 2'-0"
#5 bar = 2'-6"

Notes:
Spacing of S(E) and S2(E) bars may be adjusted up to 4" in the immediate area of the transverse tie diaphragms to miss the block outs for the transverse ties.
Bars indicated thus 4x2-#5 etc. indicates 4 lines of bars with 2 lengths per line.

PD-1736-0

7-1-10

FILE NAME = 100322-shr-bridge.dgn	USER NAME =	DESIGNED - A.S.L.	REVISED -
HAMPTON, LENZINI AND RENWICK, INC.		CHECKED - M.G.B.	REVISED -
3305 STEVENSON DRIVE, SUITE 201 SPRINGFIELD, ILLINOIS 62703 ILLINOIS PROFESSIONAL DESIGN FIRM 1 S / P E / S E CORP. 184.000389	PLOT SCALE =	DRAWN - D.T.M.	REVISED -
	PLOT DATE = 3/2/2011	CHECKED - M.G.B.	REVISED -

STATE OF ILLINOIS
VERMILION COUNTY HIGHWAY DEPARTMENT

17" x 36" PPC DECK BEAM
STRUCTURE NO. 092-3513

SHEET NO. 2 OF 8 SHEETS

T.R.	SECTION	COUNTY	TOTAL SHEETS	SHEET NO.
225	08-14136-00-BR	VERMILION	21	15
OAKWOOD ROAD DISTRICT		CONTRACT NO. 91457		
ILLINOIS FED. AID PROJECT				