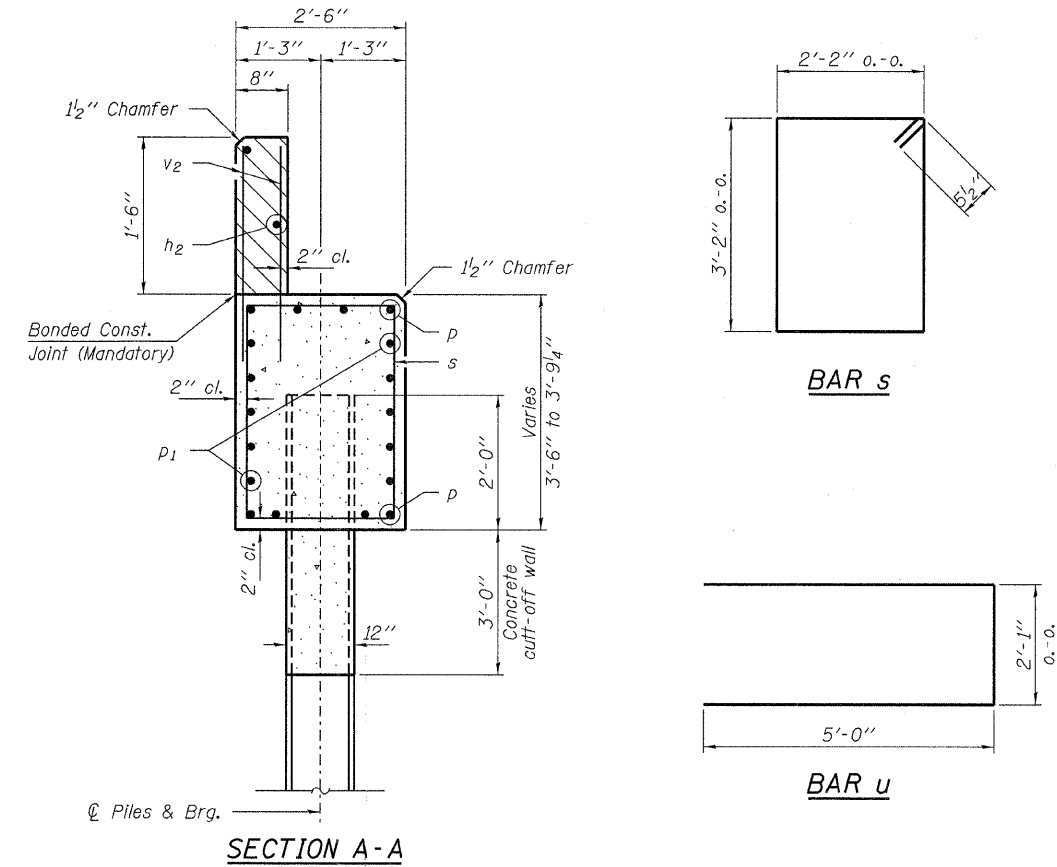
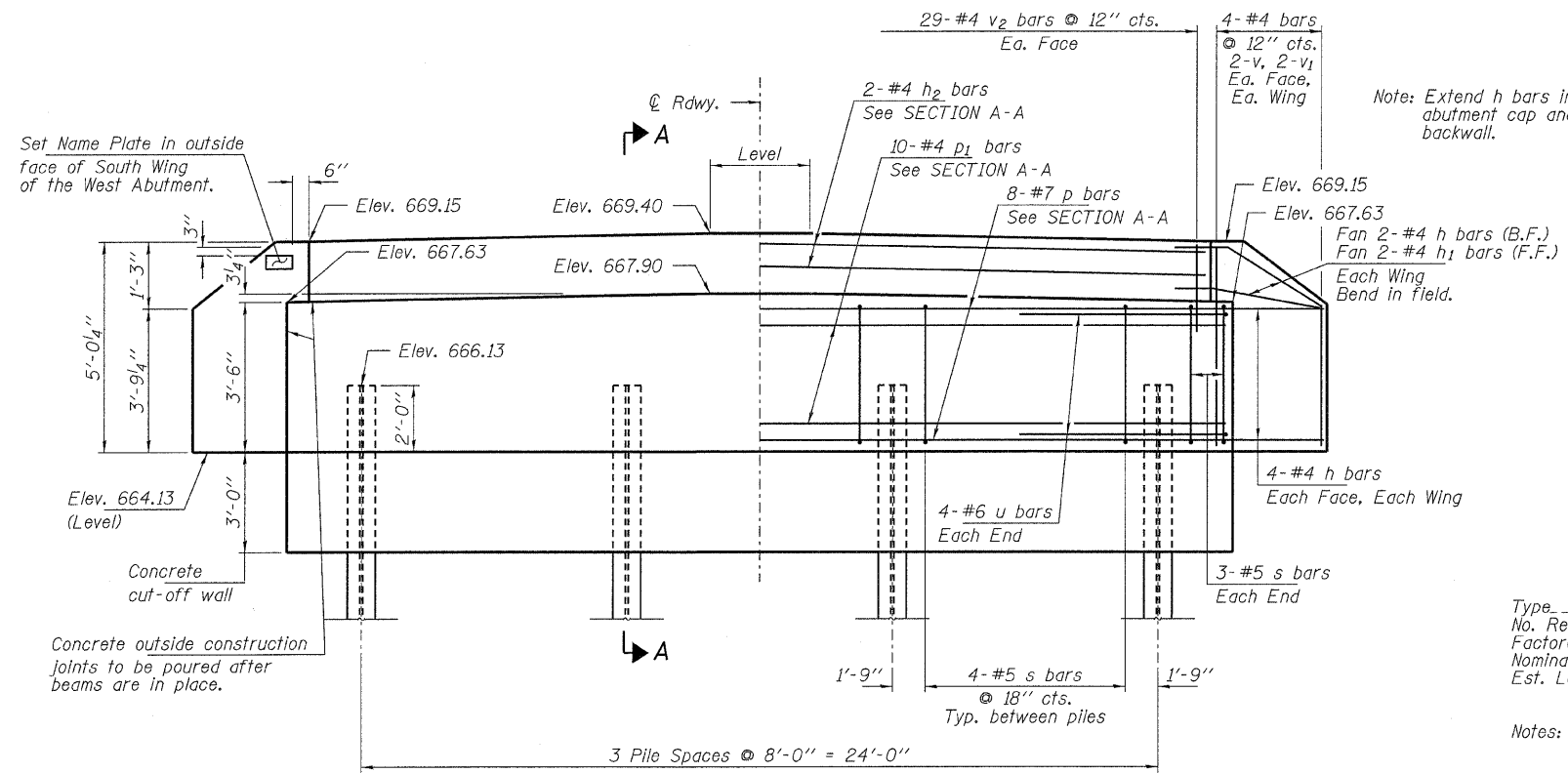


PLAN



SECTION A-A



ELEVATION

PILE DATA

Type ----- Steel Piles HP10x42
 No. Req'd. (2 Abutments) ----- 8
 Factored Resistance Available (Rf) ----- 145 Kips/Pile
 Nominal Required Bearing (Rn) ----- 264 Kips/Pile
 Est. Length ----- 65 Ft./Pile - W. Abut.
 75 Ft./Pile - E. Abut.

Notes: * Includes two test piles to be driven in permanent locations, one at the West Abutment & one at the East Abutment.

The Steel H-Piles shall be according to AASHTO M270 Grade 50.

The test piles shall be driven to 110 percent of the Nominal Required Bearing indicated in the pile data information.

BILL OF MATERIAL - 2 ABUTS.

BAR	NO.	SIZE	LENGTH	SHAPE
h	40	#4	4'-3"	—
h1	8	#4	3'-3"	—
h2	4	#4	28'-2"	—
p	16	#7	28'-2"	—
p1	20	#4	28'-2"	—
s	36	#5	11'-7"	□
u	16	#6	12'-1"	—
v	16	#4	4'-7"	—
v1	16	#4	3'-5"	—
v2	58	#4	2'-4"	—
Concrete Structures			Cu. Yd.	23.3
Concrete Cut-Off Wall			Cu. Yd.	6.4
Reinforcement Bars			Pound	2,400
Steel Piles HP10x42			Foot	420
Test Pile Steel HP10x42			Each	2
Pile Shoes			Each	8
Name Plates			Each	1

FILE NAME = 100322-sht-bridge.dgn
 USER NAME =
 HAMPTON, LENZINI AND RENWICK, INC.
 3335 STEVENSON DRIVE, SUITE 201
 SPRINGFIELD, ILLINOIS 62706
 ILLINOIS PROFESSIONAL DESIGN FIRM
 LS / PE / SE CORP. 184 000959

DESIGNED - A.S.L.
 CHECKED - M.G.B.
 DRAWN - D.T.M.
 CHECKED - M.G.B.

REVISIONS
 REVISIONS
 REVISIONS
 REVISIONS

STATE OF ILLINOIS
VERMILION COUNTY HIGHWAY DEPARTMENT

ABUTMENTS
STRUCTURE NO. 092-3513

SHEET NO. 6 OF 8 SHEETS

T.R.	SECTION	COUNTY	TOTAL SHEETS	SHEET NO.
225	08-14136-00-BR	VERMILION	21	19
OAKWOOD ROAD DISTRICT			CONTRACT NO. 91457	
ILLINOIS FED. AID PROJECT				