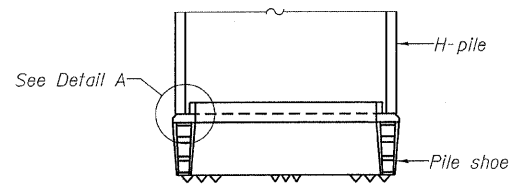
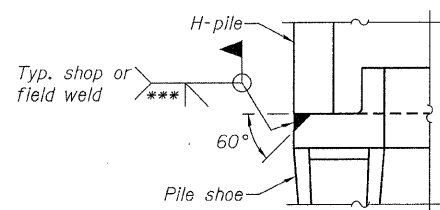


STEEL PILE TABLE

Designation	Depth d	Flange width b _f	Web and Flange thickness t	Encasement diameter A
HP 14x117	14 1/4"	14 7/8"	13/16"	30"
x102	14"	14 3/4"	1/16"	30"
x89	13 7/8"	14 3/4"	5/8"	30"
x73	13 5/8"	14 5/8"	1/2"	30"
HP 12x84	12 1/4"	12 1/4"	1/16"	24"
x74	12 1/8"	12 1/4"	5/8"	24"
x63	12"	12 1/8"	1/2"	24"
x53	11 3/4"	12"	7/16"	24"
HP 10x57	10"	10 1/4"	9/16"	24"
x42	9 3/4"	10 1/8"	7/16"	24"
HP 8x36	8"	8 1/8"	7/16"	18"

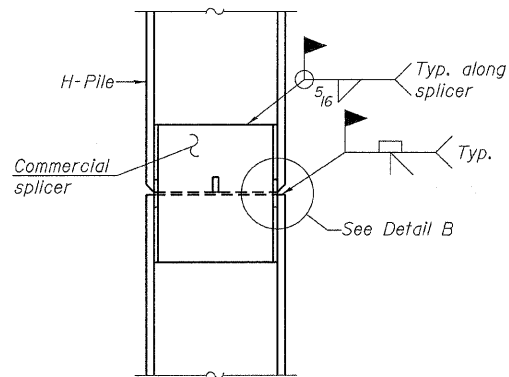


ELEVATION

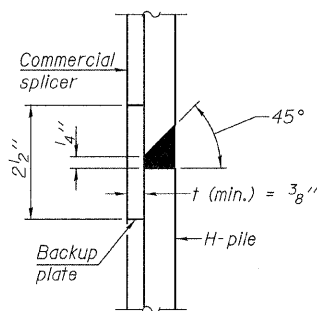


DETAIL A

H-PILE SHOE ATTACHMENT

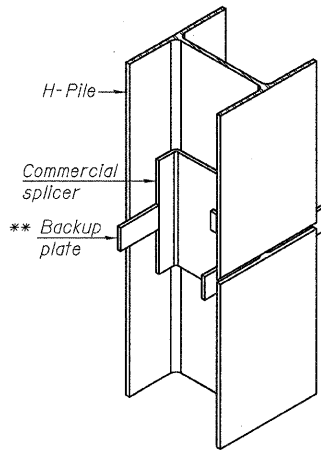


ELEVATION

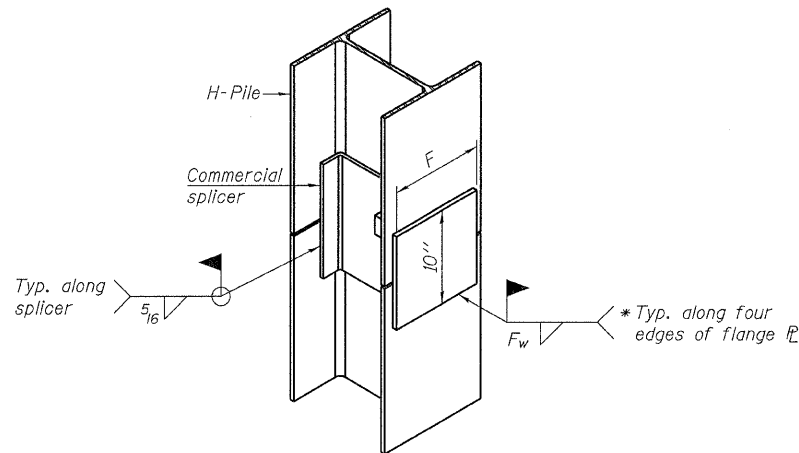


DETAIL "B"

WELDED COMMERCIAL SPLICE



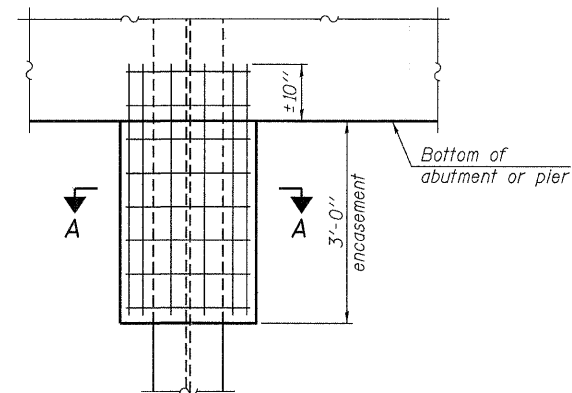
ISOMETRIC VIEW



ISOMETRIC VIEW

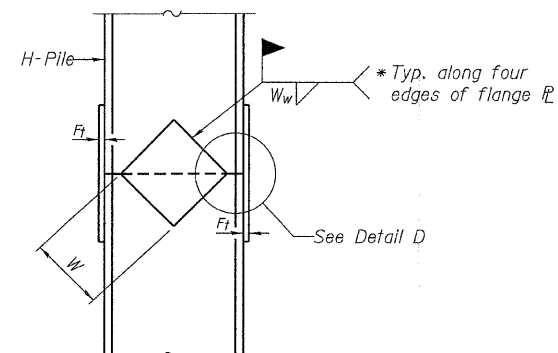
WELDED COMMERCIAL SPLICE ALTERNATE

- * Interrupt welds 1/4" from end of web and/or each flange.
- ** Remove portions of backup plates that extend outside the flanges.
- *** Weld size per pile shoe manufacturer (5/16" min.).

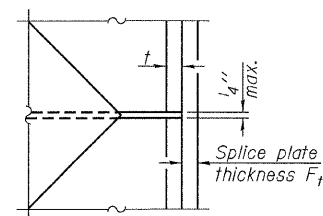


ELEVATION

PILE ENCASEMENT

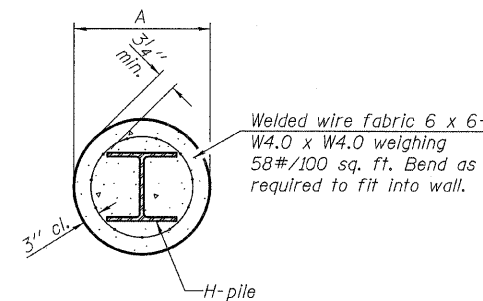


ELEVATION



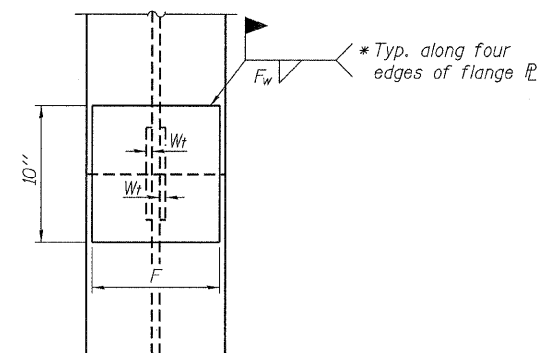
DETAIL D

WELDED PLATE FIELD SPLICE



SECTION A-A

Note:
Forms for encasement may be omitted when soil conditions permit.



END VIEW

Designation	F	F _t	F _w	W	W _t	W _w
HP 14x117	12 1/2"	1"	7/8"	7 3/4"	5 1/2"	1 1/2"
x102	12 1/2"	7/8"	3/4"	7 3/4"	5 1/2"	1 1/2"
x89	12 1/2"	3/4"	1/16"	7 3/4"	5 1/2"	1 1/2"
x73	12 1/2"	5/8"	9/16"	7 3/4"	5 1/2"	1 1/2"
HP 12x84	10"	7/8"	1/16"	6 1/2"	5 1/2"	1 1/2"
x74	10"	7/8"	1/16"	6 1/2"	5 1/2"	1 1/2"
x63	10"	5/8"	1/2"	6 1/2"	5 1/2"	3/8"
x53	10"	5/8"	1/2"	6 1/2"	5 1/2"	3/8"
HP 10x57	8"	3/4"	9/16"	5 1/4"	5 1/2"	3/8"
x42	8"	5/8"	9/16"	5 1/4"	5 1/2"	3/8"
HP 8x36	7"	5/8"	7/16"	4 1/4"	5 1/2"	3/8"

F-HP

7-1-10

FILE NAME = 100322-sht-b-bridge.dgn	USER NAME =	DESIGNED - A.S.L.	REVISED -	STATE OF ILLINOIS VERMILION COUNTY HIGHWAY DEPARTMENT	HP PILE DETAILS STRUCTURE NO. 092-3513	T.R.	SECTION	COUNTY	TOTAL SHEETS	SHEET NO.
HAMPTON, LENZINI AND RENWICK, INC. 3394 STEVENSON DRIVE, SUITE 201 SPRINGFIELD, ILLINOIS 62703	PLOT SCALE =	CHECKED - M.G.B.	REVISED -			225	08-14136-00-BR	VERMILION	21	20
ILLINOIS PROFESSIONAL DESIGN FIRM L3 / PE / SE CORP. 184-000359	PLOT DATE = 3/2/2011	DRAWN - D.T.M.	REVISED -			OAKWOOD ROAD DISTRICT		CONTRACT NO. 91457		
		CHECKED - M.G.B.	REVISED -			SHEET NO. 7 OF 8 SHEETS		ILLINOIS FED. AID PROJECT		