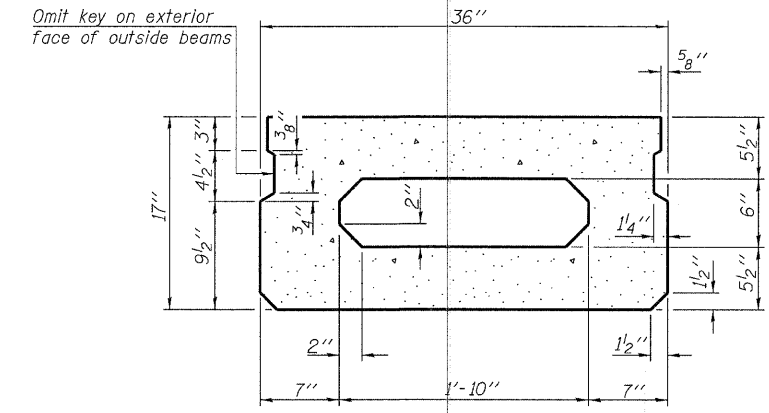
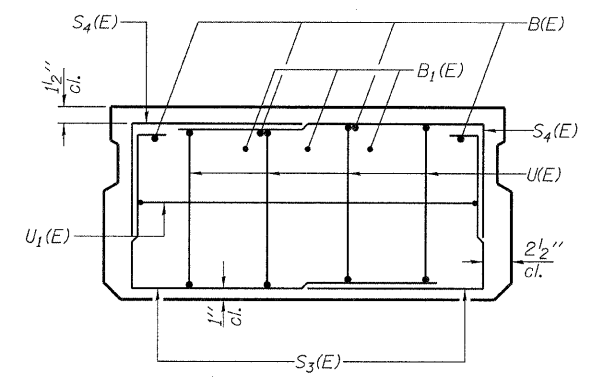


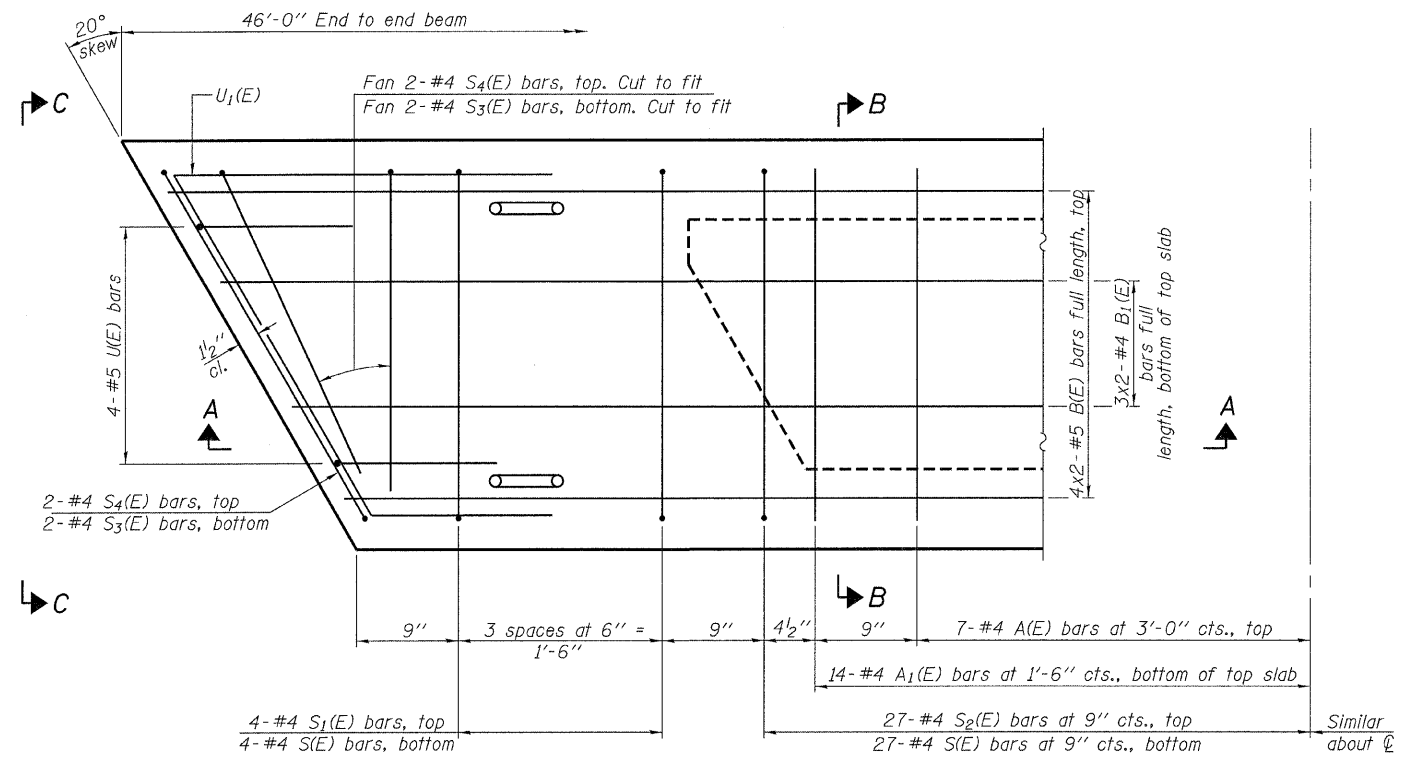
SECTION A-A



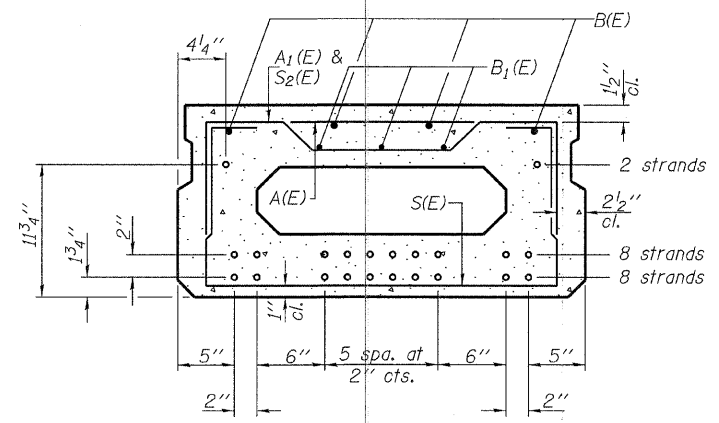
SECTION B-B
(Showing dimensions)



VIEW C-C



PLAN VIEW



SECTION B-B
(Showing reinforcement and permissible strand locations)

Note: Place the number of strands specified in each row symmetrically about the centerline of beam in the permissible strand locations shown.

BAR LIST
ONE BEAM ONLY
(For information only)

Bar	No.	Size	Length	Shape
A(E)	14	#4	2'-7"	—
A1(E)	28	#4	2'-10"	—
B(E)	8	#5	24'-1"	—
B1(E)	6	#4	23'-10"	—
S(E)	62	#4	5'-9"	□
S1(E)	8	#4	4'-3"	□
S2(E)	54	#4	4'-6"	□
S3(E)	8	#4	3'-11"	□
S4(E)	8	#4	3'-2"	□
U(E)	8	#5	3'-8"	□
U1(E)	2	#4	7'-6"	□

Note: See sheets 4 & 5 of 9 for additional details and Bill of Material.

Notes:
Spacing of S(E) and S2(E) bars may be adjusted up to 4" in the immediate area of the transverse tie diaphragms to miss the block outs for the transverse ties.
Bars indicated thus 4x2-#5 etc. indicates 4 lines of bars with 2 lengths per line.

MINIMUM BAR LAP
#4 bar = 2'-0"
#5 bar = 2'-6"

PD-1736-R 7-1-10

FILE NAME = 180323-sht-bridge.dgn	USER NAME =	DESIGNED - A.S.L.	REVISED -
HAMPTON, LENZINI AND RENWICK, INC.		CHECKED - S.W.M.	REVISED -
2005 STEVENSON DRIVE, SUITE 201 SPRINGFIELD, ILLINOIS 62781	PLOT SCALE =	DRAWN - D.A.B.	REVISED -
ILLINOIS PROFESSIONAL DESIGN FIRM L.S. / P.E. / S.E. CORP. 184.000559	PLOT DATE = 3/2/2011	CHECKED - S.W.M.	REVISED -

STATE OF ILLINOIS
VERMILION COUNTY HIGHWAY DEPARTMENT

17" x 36" PPC DECK BEAM
STRUCTURE NO. 092-3517
SHEET NO. 3 OF 9 SHEETS

T.R.	SECTION	COUNTY	TOTAL SHEETS	SHEET NO.
78	09-14138-00-BR	VERMILION	27	21
OAKWOOD ROAD DISTRICT		CONTRACT NO. 91458		
ILLINOIS FED. AID PROJECT				