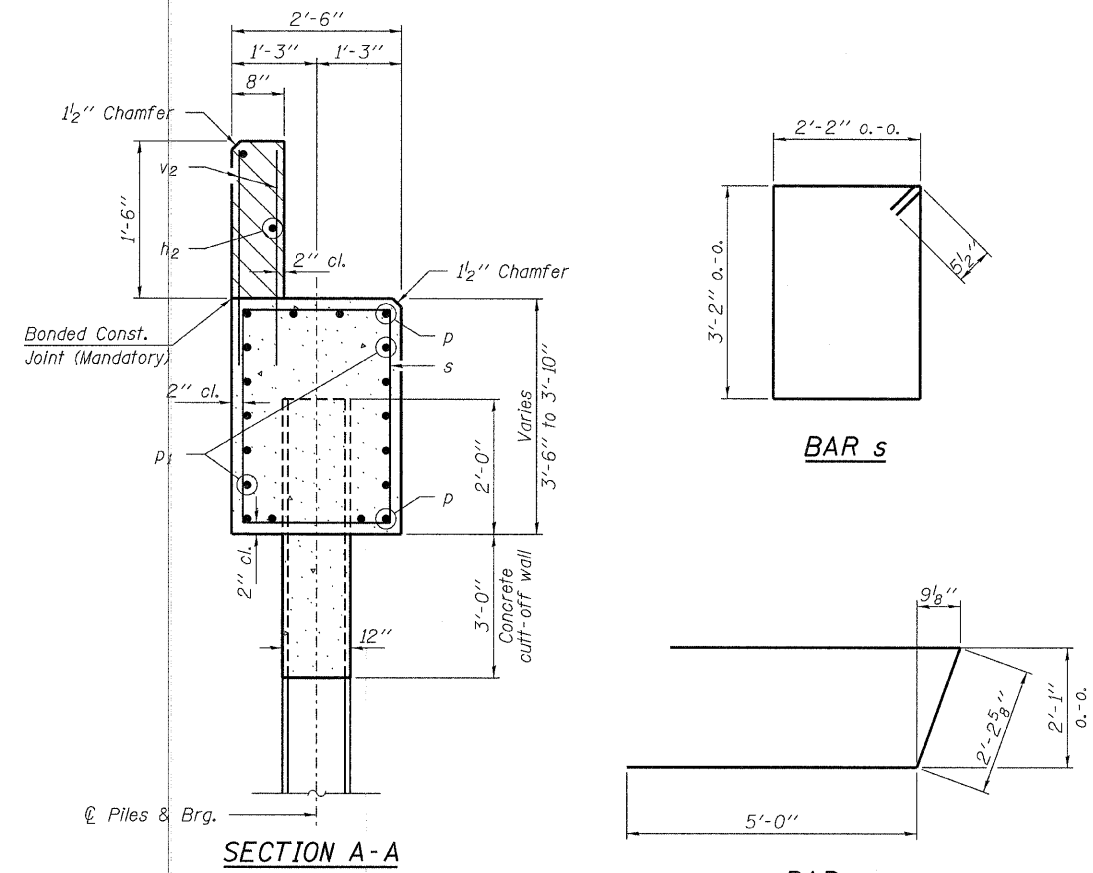
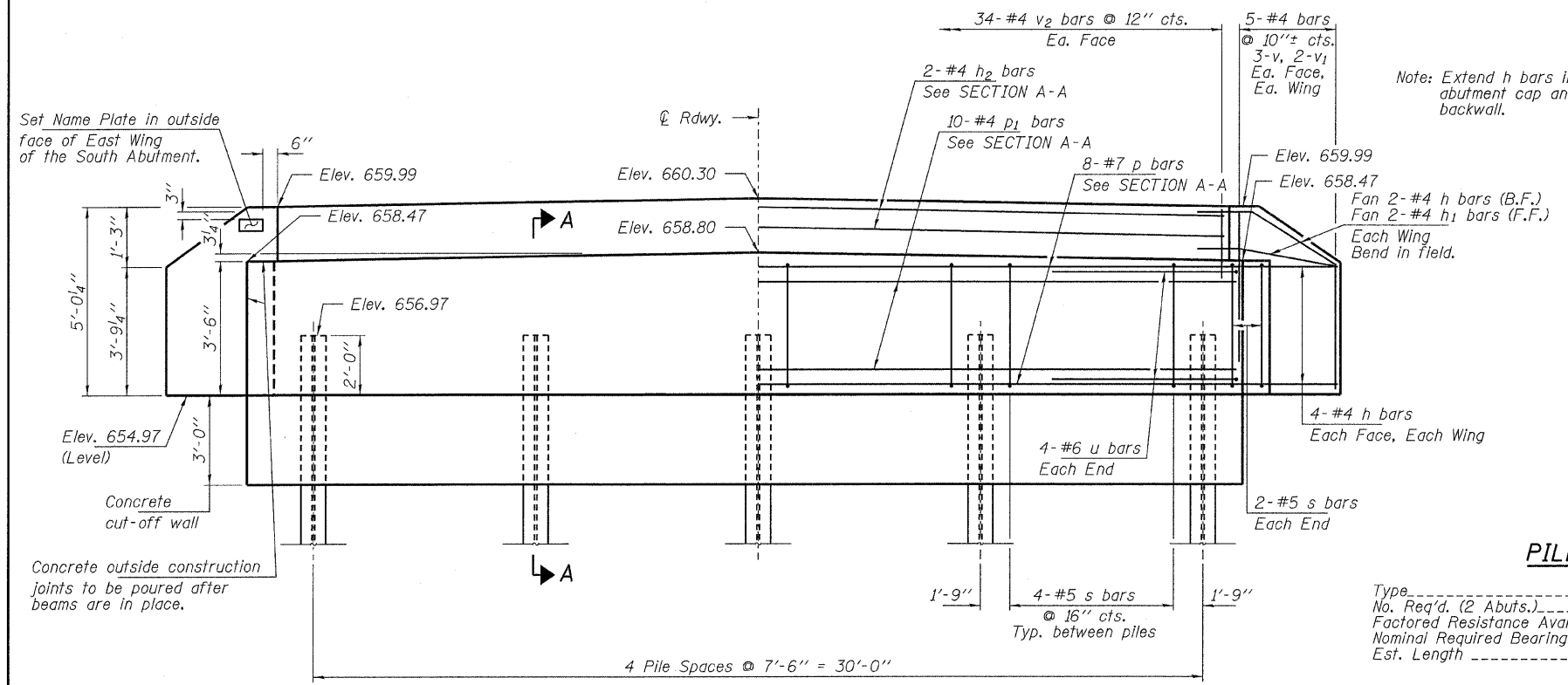


PLAN



SECTION A-A

Set Name Plate in outside face of East Wing of the South Abutment.



ELEVATION

Note: Extend h bars into abutment cap and backwall.

PILE DATA

Type	Steel Piles HP10x42
No. Req'd. (2 Abuts.)	*10
Factored Resistance Available (Rf)	184 Kips/Pile
Nominal Required Bearing (Rn)	335 Kips/Pile
Est. Length	30 Ft/Pile

Notes: * Includes two test piles to be driven in permanent locations, one at the South Abutment & one at the North Abutment.

The Steel H-Piles shall be according to AASHTO M270 Grade 50.

The test piles shall be driven to 110 percent of the Nominal Required Bearing Indicated in the pile data information.

BILL OF MATERIAL - 2 ABUTS.

BAR	NO.	SIZE	LENGTH	SHAPE
h	40	#4	3'-10"	—
h1	8	#4	3'-5"	—
h2	4	#4	33'-3"	—
p	16	#7	33'-3"	—
p1	20	#4	33'-3"	—
s	40	#5	11'-7"	□
u	16	#6	12'-3"	—
v	24	#4	4'-3"	—
v1	16	#4	3'-6"	—
v2	68	#4	2'-4"	—
Concrete Structures			Cu. Yd.	27.4
Concrete Cut-Off Wall			Cu. Yd.	7.4
Reinforcement Bars			Pound	2,730
Steel Piles HP10x42			Foot	240
Test Pile Steel HP10x42			Each	2
Pile Shoes			Each	10
Name Plates			Each	1

FILE NAME = 100323-shr-bridge.dgn	USER NAME =	DESIGNED - A.S.L.	REVISED -
HAMPTON, LENZINI AND RENWICK, INC.		CHECKED - S.W.M.	REVISED -
2085 STEVENSON DRIVE, SUITE 201		DRAWN - D.A.B.	REVISED -
SPRINGFIELD, ILLINOIS 62708		CHECKED - S.W.M.	REVISED -
ILLINOIS PROFESSIONAL DESIGN FIRM			
LS / PE / SE CORP. 184.000989			

STATE OF ILLINOIS
VERMILION COUNTY HIGHWAY DEPARTMENT

ABUTMENTS
STRUCTURE NO. 092-3517
SHEET NO. 7 OF 9 SHEETS

T.R.	SECTION	COUNTY	TOTAL SHEETS	SHEET NO.
78	09-14138-00-BR	VERMILION	27	25
OAKWOOD ROAD DISTRICT		CONTRACT NO. 91458		
ILLINOIS FED. AID PROJECT				