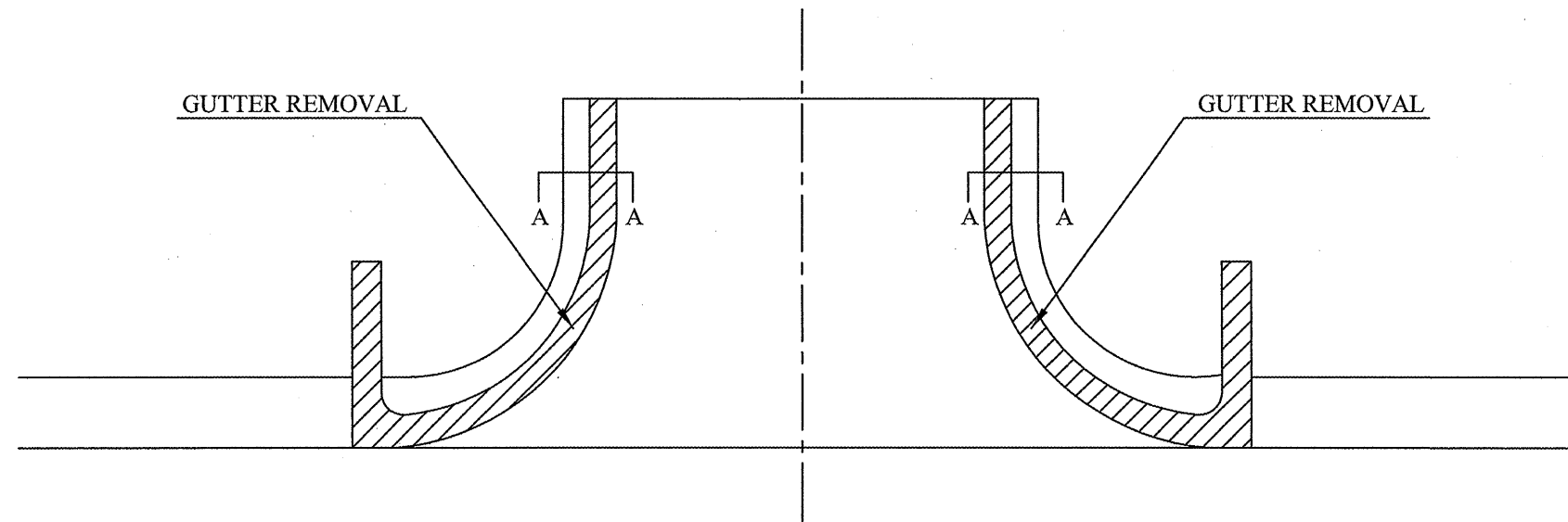


ROUTE	SECTION	COUNTY	TOTAL SHEETS	SHEET NUMBER
C.H. 49	08-00162-01-RS	VERMILION	39	34

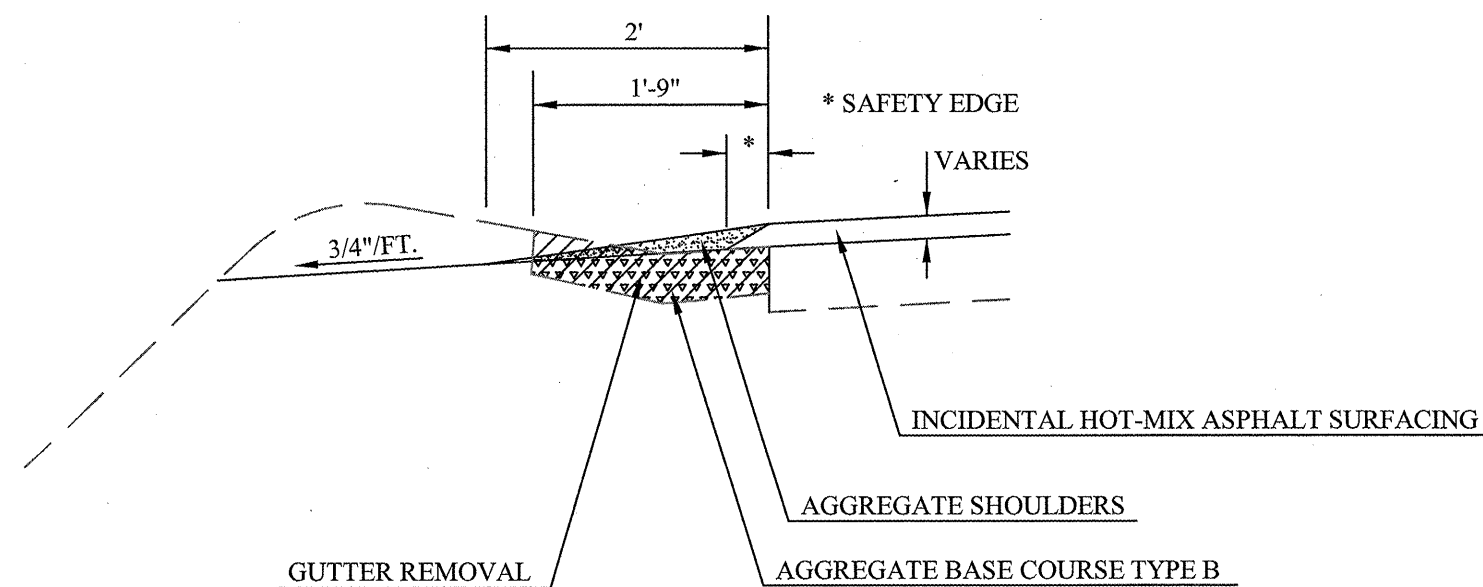
Contract No. 91459

GRADING PLAN DETAILS

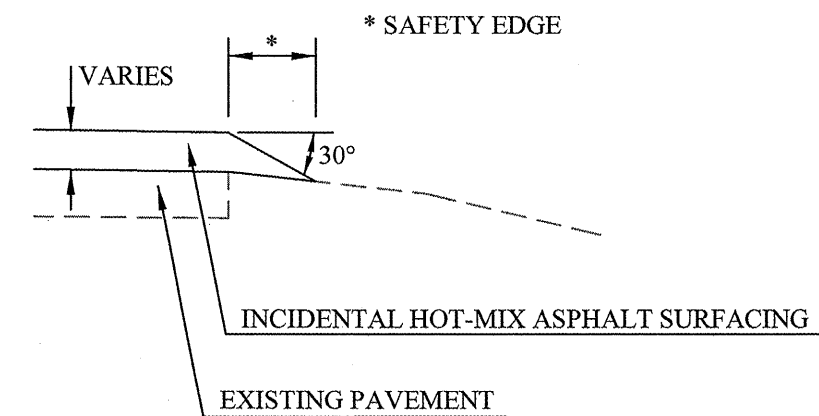
RT STA 673+03 (SIDEROAD 250 N)
 LT STA 673+11 (SIDEROAD 250 N)
 RT STA 793+78 (YATES STREET)



SECTION A-A



SAFETY EDGE DETAIL FOR INTERSECTIONS



ALLERTON-SIDELL RD. (CH 49)
 RESURFACING
 SECTION 08-00162-01-RS

Prepared by:
 Vermilion County Highway Dept.
 2732 Batestown Road
 Oakwood, Illinois 61858
 DSGN: GHS DRN: RST
 CHK: GHS DATE: 1/20/2010

NOT TO SCALE

SPECIAL
 DETAIL