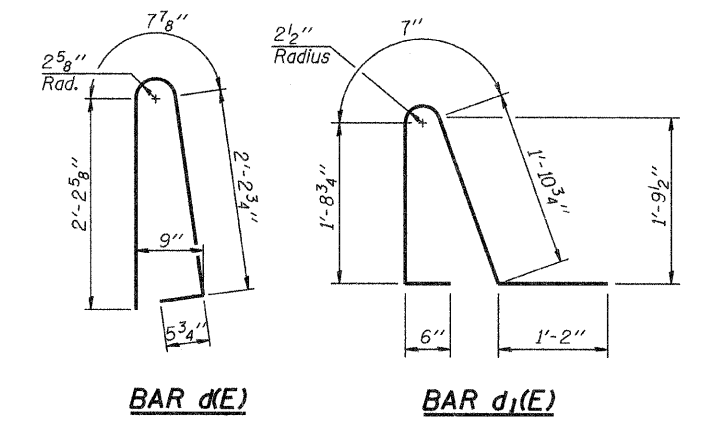
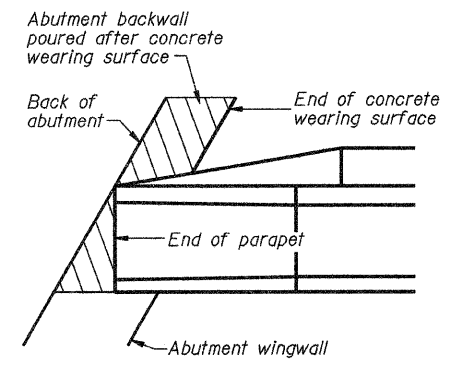
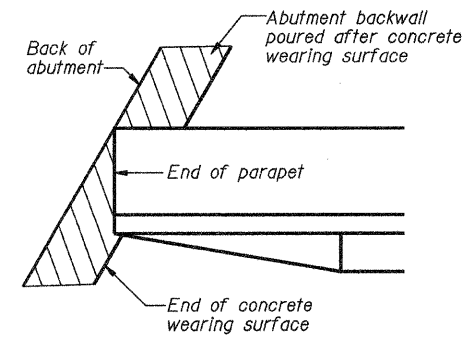


Note:
The thickness of the concrete wearing surface varies as required to adjust for profile grade and beam camber.

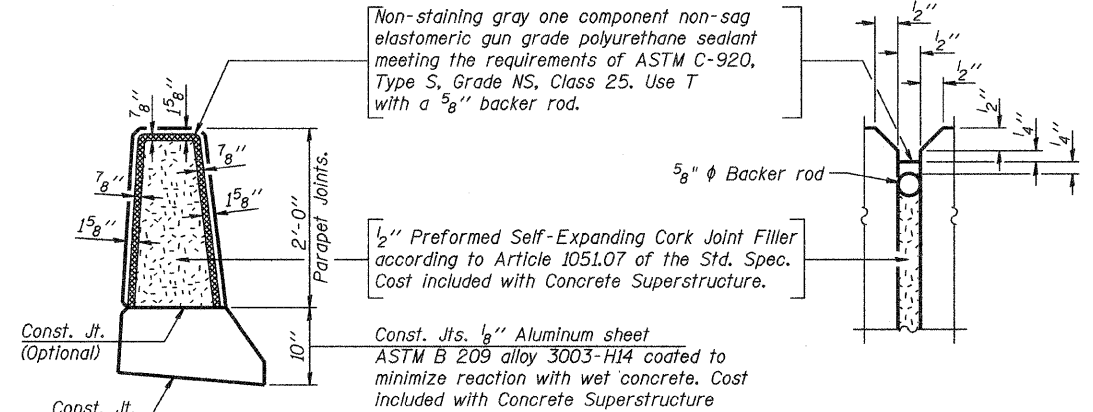
REINFORCED CONCRETE WEARING SURFACE PROFILE
(For information only)



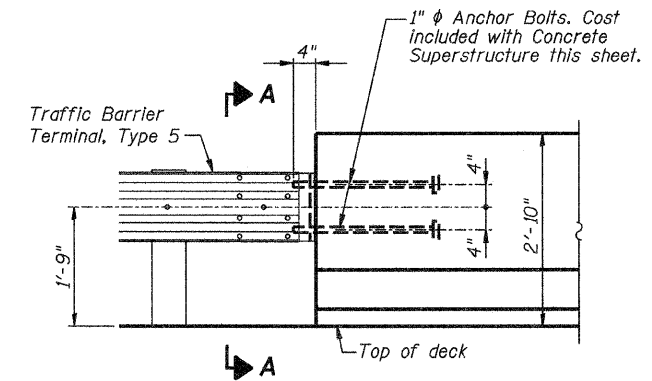
BAR d(E) **BAR d1(E)**



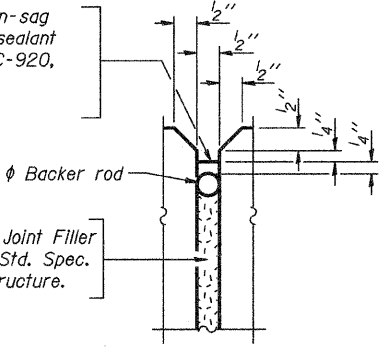
PARAPET END DETAILS
(Occurs at all 4 parapet ends)



PARAPET JOINT DETAILS

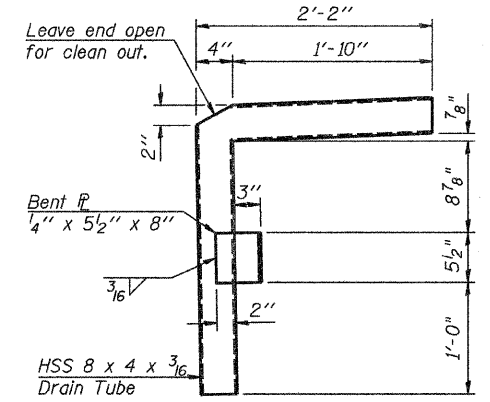


END OF PARAPET ELEVATION

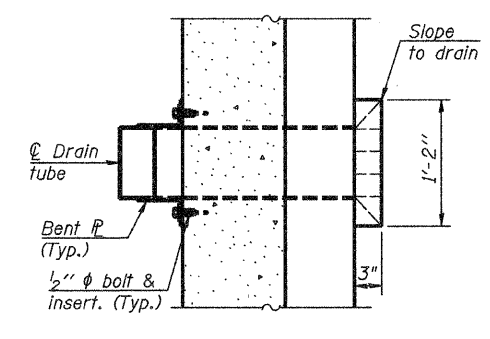


VIEW A-A

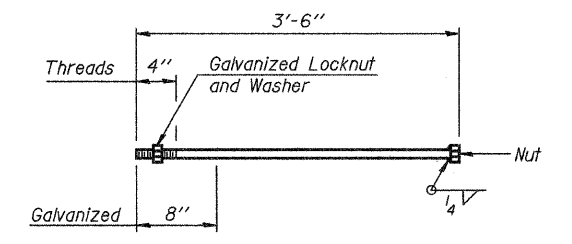
(West parapet shown. East parapet similar)



DETAIL A



SECTION B-B



1" ANCHOR BOLT

SUPERSTRUCTURE BILL OF MATERIAL

| Bar | No. | Size | Length | Shape |
|----------------------------------|---------|------|---------|-------|
| d(E) | 242 | #4 | 25'-2" | — |
| b(E) | 200 | #4 | 31'-11" | — |
| d(E) | 264 | #5 | 5'-7" | ⌒ |
| d1(E) | 264 | #5 | 5'-11" | ⌒ |
| e(E) | 126 | #4 | 13'-1" | — |
| e1(E) | 12 | #4 | 21'-1" | — |
| e2(E) | 12 | #8 | 22'-8" | — |
| Bridge Deck Grooving | Sq. Yd. | | 378 | |
| Protective Coat | Sq. Yd. | | 710 | |
| Reinforcement Bars, Epoxy Coated | Pound | | 13,500 | |
| Concrete Superstructure | Cu. Yd. | | 28.3 | |
| Concrete Wearing Surface, 5" | Sq. Yd. | | 639.6 | |

Bars indicated thus 1 x 2-#4 etc. indicates 1 line of bars with 2 lengths per line.

| | | | | | | | | | | | | | | |
|--|-------------------|--------------|--------------|--|--|--|--------------------------|------------------|--|--------------|-----------------|--------------|--|--|
| FILE NAME = | USER NAME = rking | DESIGNED ACB | REVISIONS - | | DECATUR 617) 422-8544 CHICAGO 773) 714-0050 ROCKFORD 815) 489-0050 184-001397 | SUPERSTRUCTURE DETAILS BALTIMORE AVE (CH 7) OVER FINLEY CREEK | | F.A.S. RTE. CH 7 | SECTION 05-00198-BR | COUNTY MACON | TOTAL SHEETS 29 | SHEET NO. 10 | | |
| In Municipalities\Mecon County\5127 Finley Creek Bridge\CADD\Structural\revised\supdet | DRAWN RLK | CHECKED JMB | DATE 1-11-11 | | | SCALE: | SHEET NO. 4 OF 12 SHEETS | STA. TO STA. | CONTRACT NO. ILLINOIS FED. AID PROJECT | | | | | |
| PLOT SCALE = 1/8" = 1'-0" | | | | | | | | | | | | | | |
| PLOT DATE = 4/18/2011 | | | | | | | | | | | | | | |