

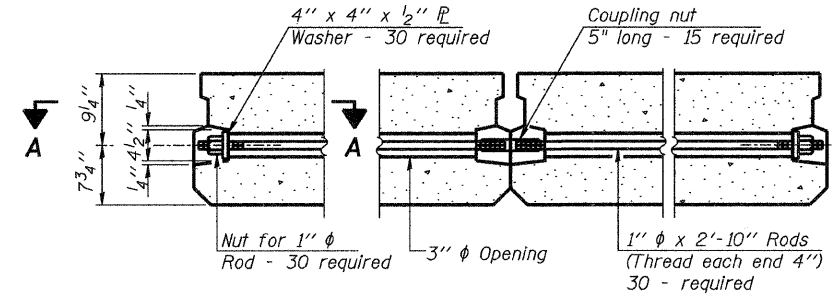
FABRIC BEARING PAD
(Interior)

FABRIC BEARING PAD
(Exterior)

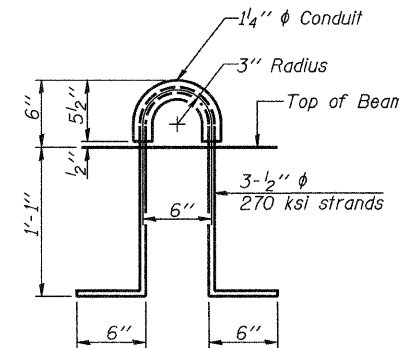
FIXED

SECTION A-A

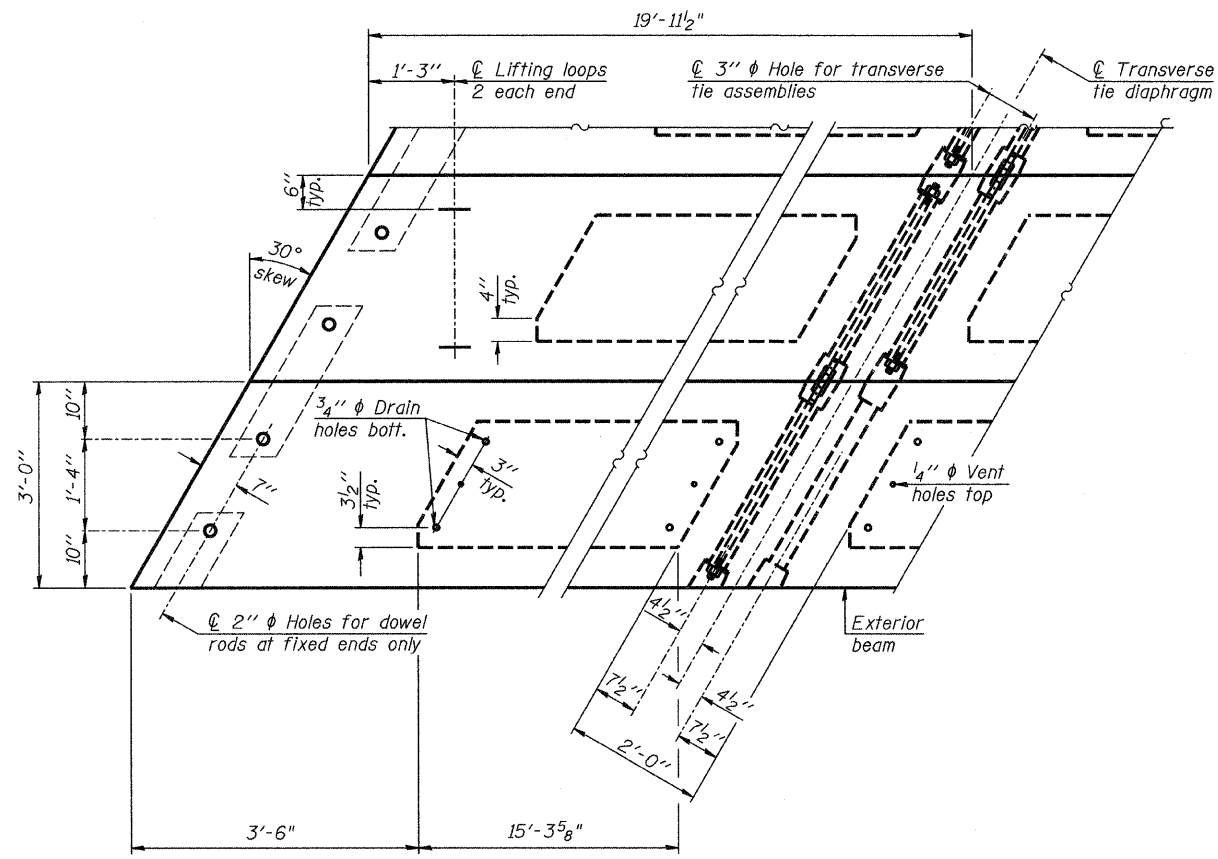
Notes:
All bearing pads shall be 1" thick.



TYPICAL TRANSVERSE TIE ASSEMBLY

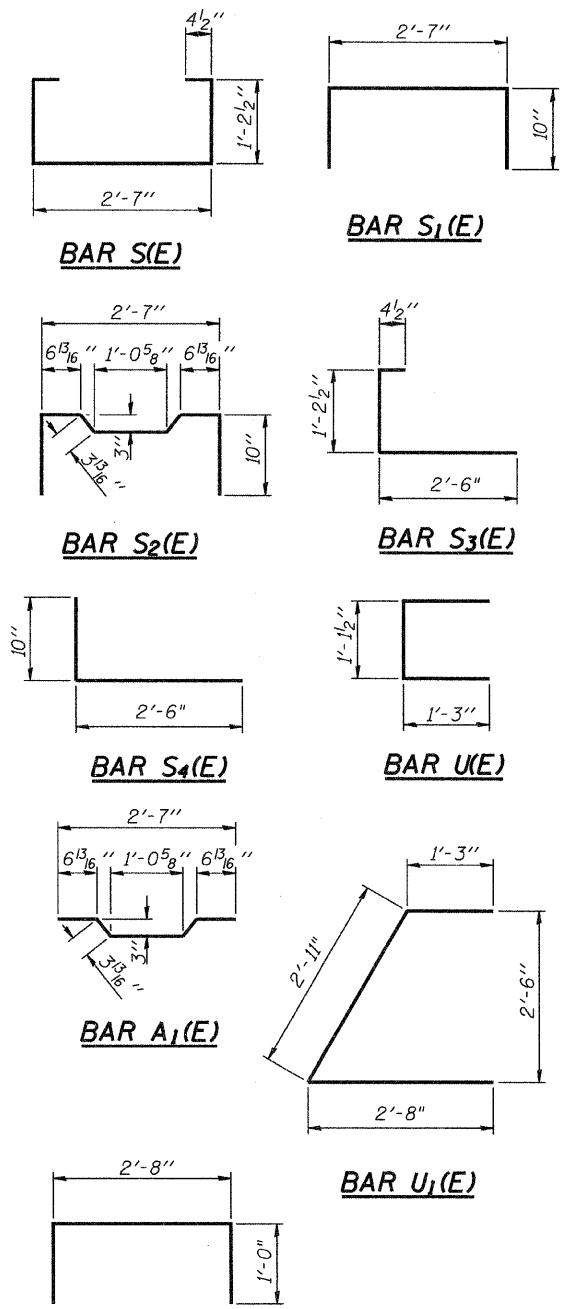


LIFTING LOOP DETAIL



PLAN VIEW

Note: Connect beams in pairs with the transverse tie configuration shown.



BILL OF MATERIAL

Precast Prestressed Conc. Deck Bms. (17" depth)	Sq. Ft.	5748
---	---------	------

NOTES

- Prestressing steel shall be uncoated high strength, low relaxation 7-wire strand, Grade 270. The nominal diameter shall be 1/2" and the nominal cross-sectional area shall be 0.153 sq. in.
- The 1" rods in the transverse tie assembly shall be tightened to a snug fit and the threads set. Pockets on exterior faces of bridge shall be filled with grout after transverse tie assembly is in place.
- Reinforcement bars shall conform to ASTM A 706, Grade 60. (See Special Provisions).
- Two 1/8" fabric adjusting shims of the dimensions of the exterior bearing pad shall be provided for each bearing pad location.
- A minimum 2 1/2" diameter lifting pin shall be used to engage the lifting loops during handling.
- Corrosion Inhibitor, per Article 1020.05(b)(12) and 1021.06 of the Standard Specifications, shall be used in the concrete for precast prestressed concrete deck beams.
- Compressive strength of prestressed concrete, f'c, shall be 6000 psi.
- Compressive strength of prestressed concrete at release, f'ci, shall be 5000 psi.

PD-1736-LD 7-1-10

FILE NAME =	USER NAME = rking	DESIGNED ACB	REVISIONS -		DECATUR 617 422-8544 CHICAGO 773 714-0050 ROCKFORD 815 489-0050 184-001997	17" x 36" PPC DECK BEAM DETAILS BALTIMORE AVE (CH 7) OVER FINLEY CREEK	F.A.S. RTE.	SECTION	COUNTY	TOTAL SHEETS	SHEET NO.
In: Municipalities\Macon County\5127 Finley Creek Bridge\CADD\Structural\revised\beam	DRAWN RLK	REVISIONS -	CH 7				05-00198-BR	MACON	29	11	
PLOT SCALE = 1:8000 1/4 IN.	CHECKED JMB	REVISIONS -	CONTRACT NO.								
PLOT DATE = 4/18/2011	DATE 1-11-11	REVISIONS -	ILLINOIS FED. AID PROJECT								