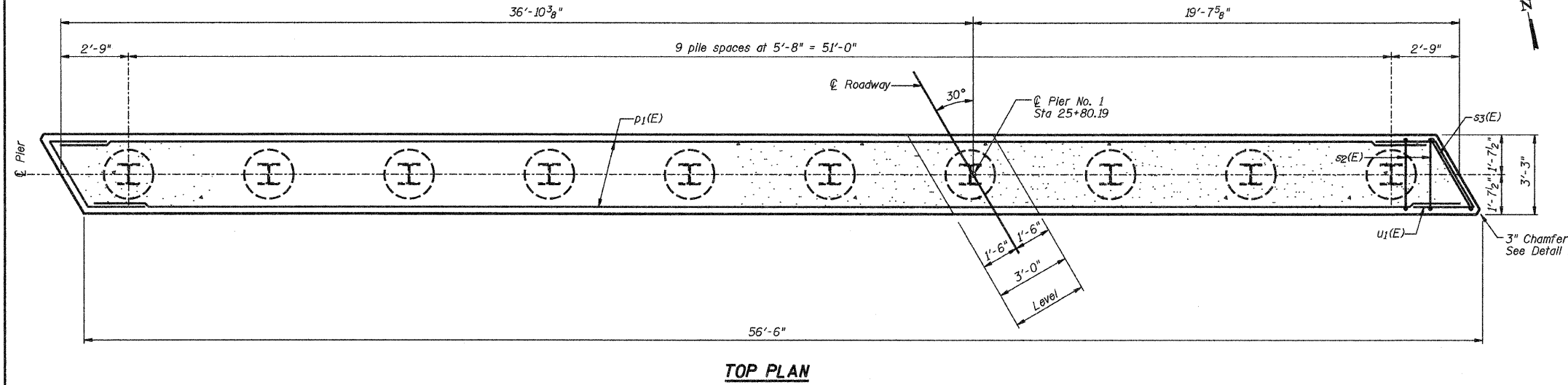
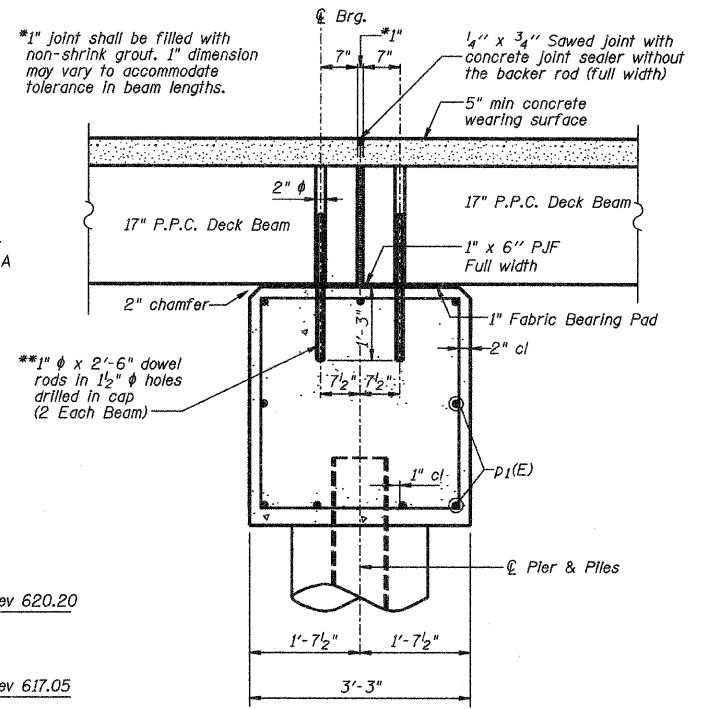


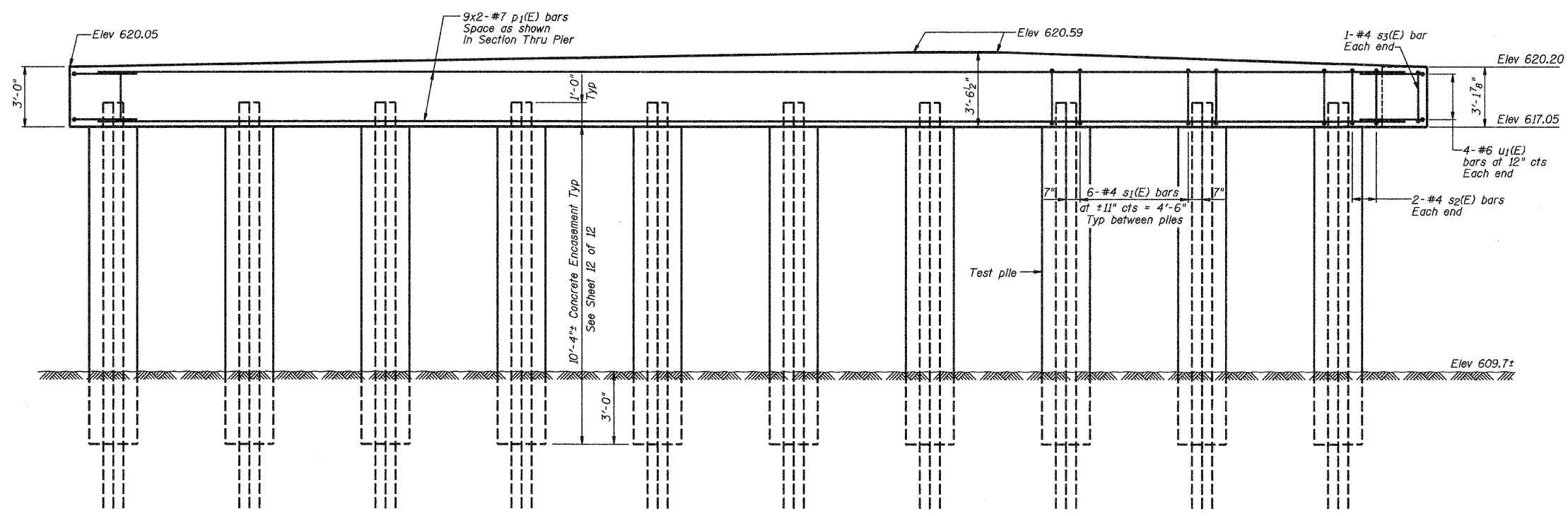
**After beams have been erected, holes shall be drilled into substructure and anchor dowels placed. Dowel holes shall be filled with non-shrink grout to top of beam and allowed to cure min 24 hrs prior to grouting the shear keys.



TOP PLAN



SECTION THRU PIER
(Dimensions at Rt L's)



ELEVATION
(Looking Up Station)

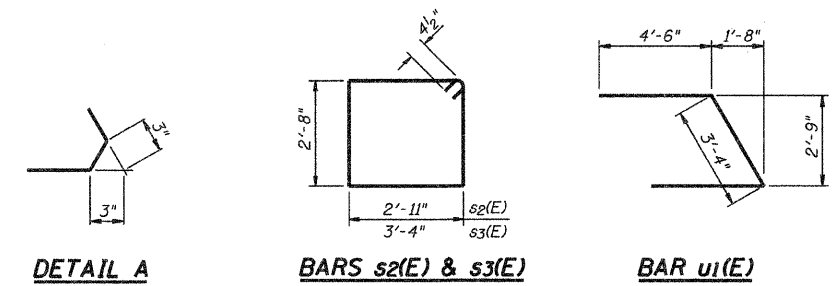
BILL OF MATERIAL

Bar	No.	Size	Length	Shape
p1(E)	18	#7	30'-8"	—
sg(E)	58	#4	11'-11"	□
s3(E)	2	#4	12'-9"	□
u1(E)	8	#6	12'-4"	⌒
Concrete Encasement		Cu Yd	12.1	
Concrete Structures		Cu Yd	22.1	
Reinforcement Bars, Epoxy Coated		Pound	1690	
Furnishing Steel Piles HP 10x42		Foot	315	
Driving Piles		Foot	315	
Test Pile		Each	1	
Underwater Structure Excavation Protection Location 1		Each	1	

PILE DATA

Type: Steel HP 10x42
 Nominal Required Bearing: 228 kips
 Allowable Resistance Available: 76 kips
 Est. Length: 35'
 No. Production Piles: 9
 No. Test Piles: 1

MIN BAR LAP
#7 bar = 5'-2"



DETAIL A

BARS s2(E) & s3(E)

BAR u1(E)

NOTES

The cost of excavation and reinforcement for pile encasement is incidental to the cost of "Concrete Encasement."
 Reinforcement bars designated (E) shall be epoxy coated.

FILE NAME =	USER NAME = rking	DESIGNED ACB	REVISED -	HOMER L. CHASTAIN & ASSOCIATES, LLP CONSULTING ENGINEERS DECATUR (217) 422-8544 CHICAGO (773) 714-0050 ROCKFORD (815) 489-0050 184-001597	PIER NO. 1 DETAILS BALTIMORE AVE (CH 7) OVER FINLEY CREEK SCALE: SHEET NO. 10 OF 12 SHEETS STA. TO STA.		F.A.S. RTE.	SECTION	COUNTY	TOTAL SHEETS	SHEET NO.
In\Municipalities\Wacon County\8127 Finley Creek Bridge\CADD_Structural\revised\pier1	Creek Bridge\CADD_Structural\revised\pier1	DRAWN RLK	REVISED -				CH 7	05-00198-BR	MACON	29	16
PLOT SCALE = 2/8" = 1' / IN.	CHECKED JMB	REVISED -					CONTRACT NO.				
PLOT DATE = 4/18/2011	DATE 1-11-11	REVISED -					ILLINOIS FED. AID PROJECT				