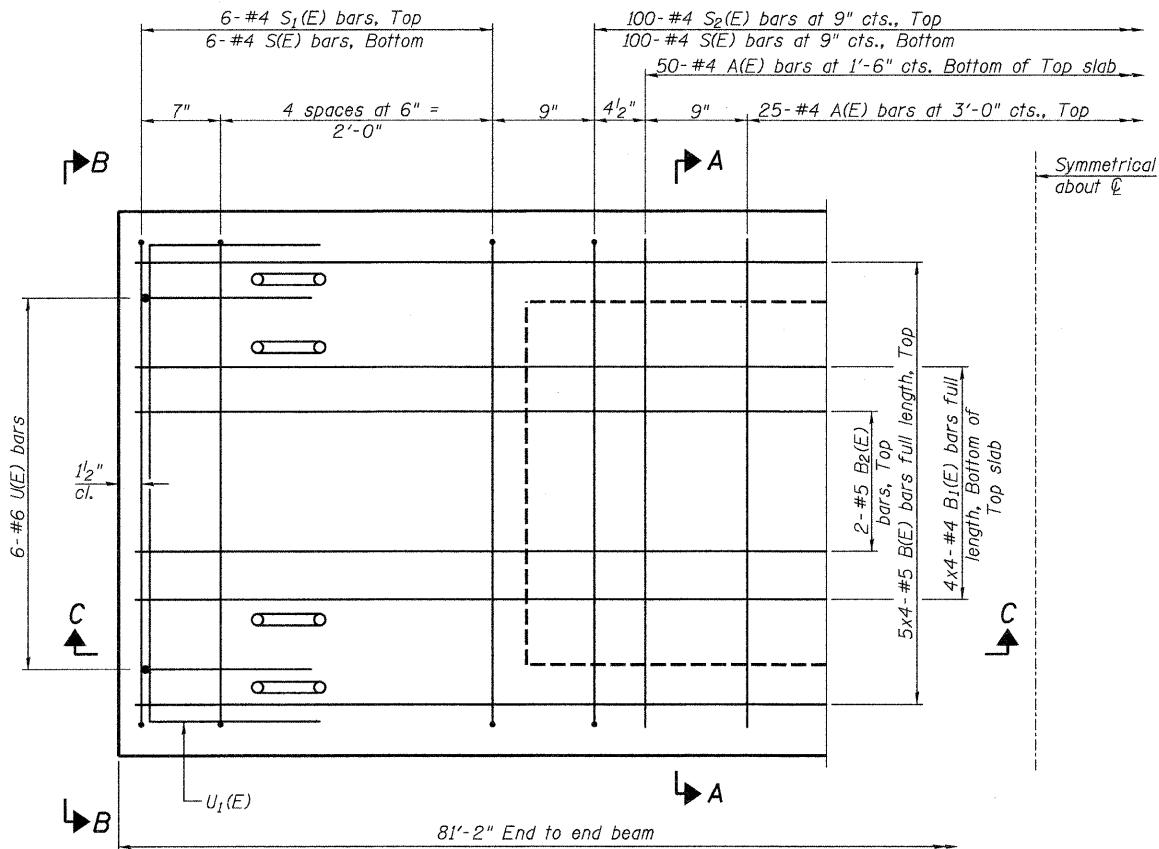


**SECTION C-C**

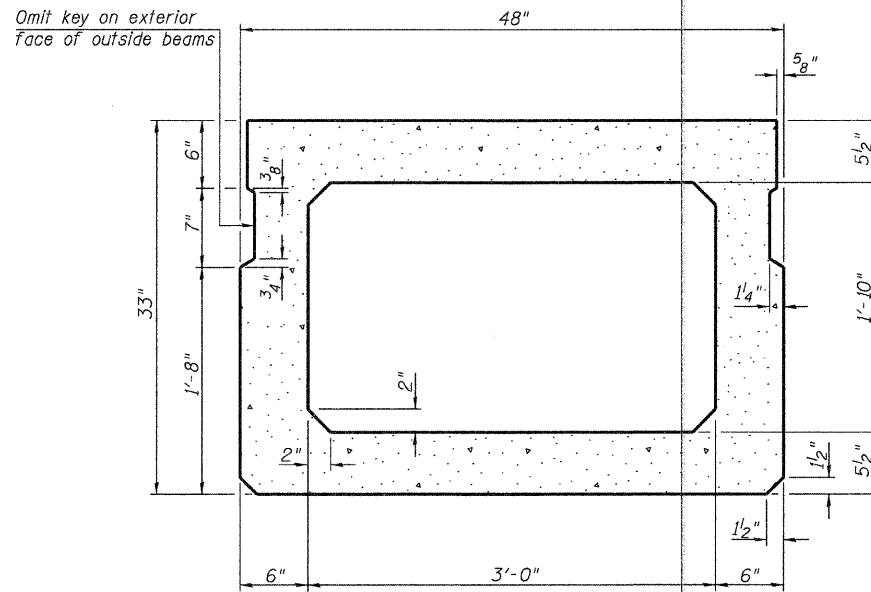


**PLAN VIEW**

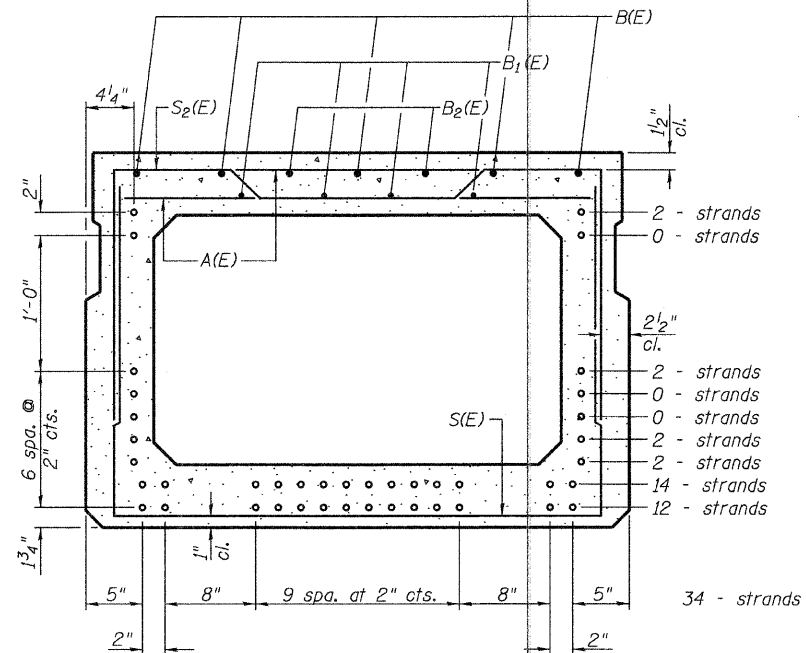
Note: Spacing of S(E) and S<sub>2</sub>(E) bars may be adjusted up to 4" in the immediate area of the transverse tie diaphragms to miss the block outs for the transverse ties.  
Bars indicated thus: 4x2-#5 etc. indicates 4 lines of bars with 2 lengths per line.

**MINIMUM BAR LAP**

#4 bar = 2'-0"  
#5 bar = 2'-6"



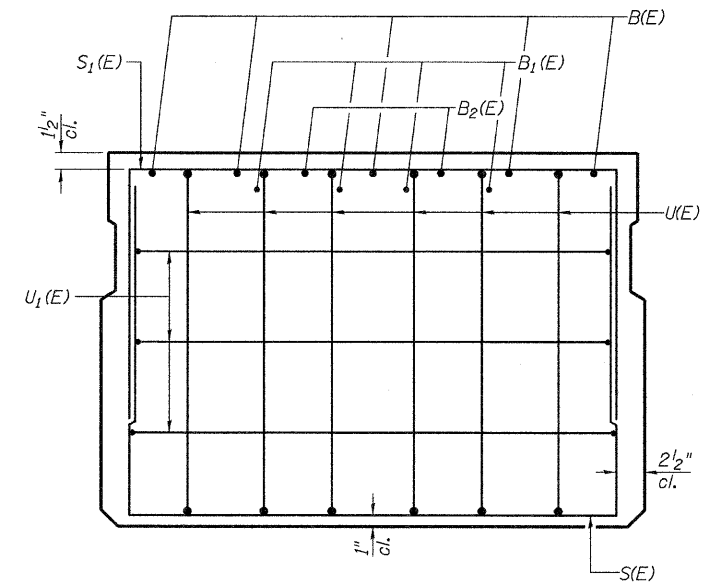
**SECTION A-A**  
(Showing dimensions)



**SECTION A-A**

(Showing reinforcement and permissible strand locations)

Note: Place the number of strands specified in each row symmetrically about the centerline of beam in the permissible strand locations shown.



**VIEW B-B**

**BAR LIST**  
**ONE BEAM ONLY**  
(For information only)

Bar	No.	Size	Length	Shape
A(E)	75	#4	3'-7"	—
B(E)	20	#5	22'-3"	—
B <sub>1</sub> (E)	16	#4	21'-9"	—
B <sub>2</sub> (E)	8	#5	10'-0"	—
S(E)	112	#4	8'-5"	U
S <sub>1</sub> (E)	12	#4	7'-3"	U
S <sub>2</sub> (E)	100	#4	7'-6"	U
U(E)	12	#6	5'-0"	C
U <sub>1</sub> (E)	6	#4	6'-0"	U

Note: See sheet 6 of 12 for additional details and Bill of Material.

**PRECAST PRESTRESSED CONCRETE DECK BEAM DETAILS**  
**STRUCTURE NO. 026-3449**

F.A.S. RTE.	SECTION	COUNTY	TOTAL SHEETS	SHEET NO.
1714	09-00119-00-BR	FAYETTE	12	5
CONTRACT NO. 95648				
ILLINOIS FED. AID PROJECT				

**RHUTASEL and ASSOCIATES, INC.**  
CONSULTING ENGINEERS • LAND SURVEYORS  
CENTRALIA, ILLINOIS FREEBURG, ILLINOIS  
ILLINOIS DESIGN FIRM LICENSE NO. 184-000287