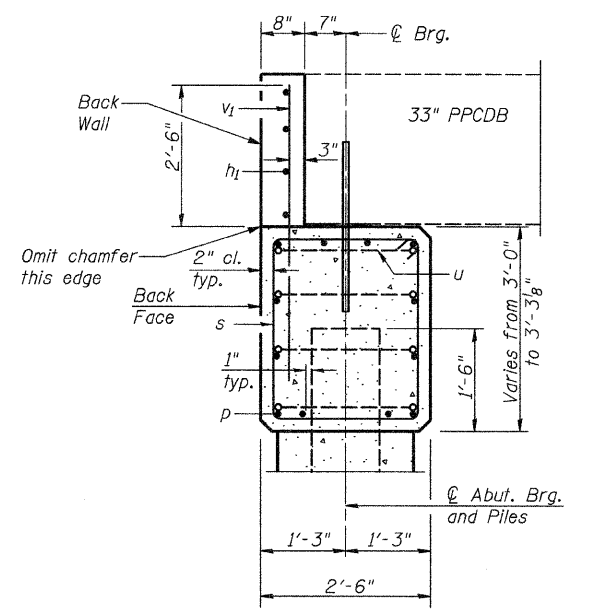
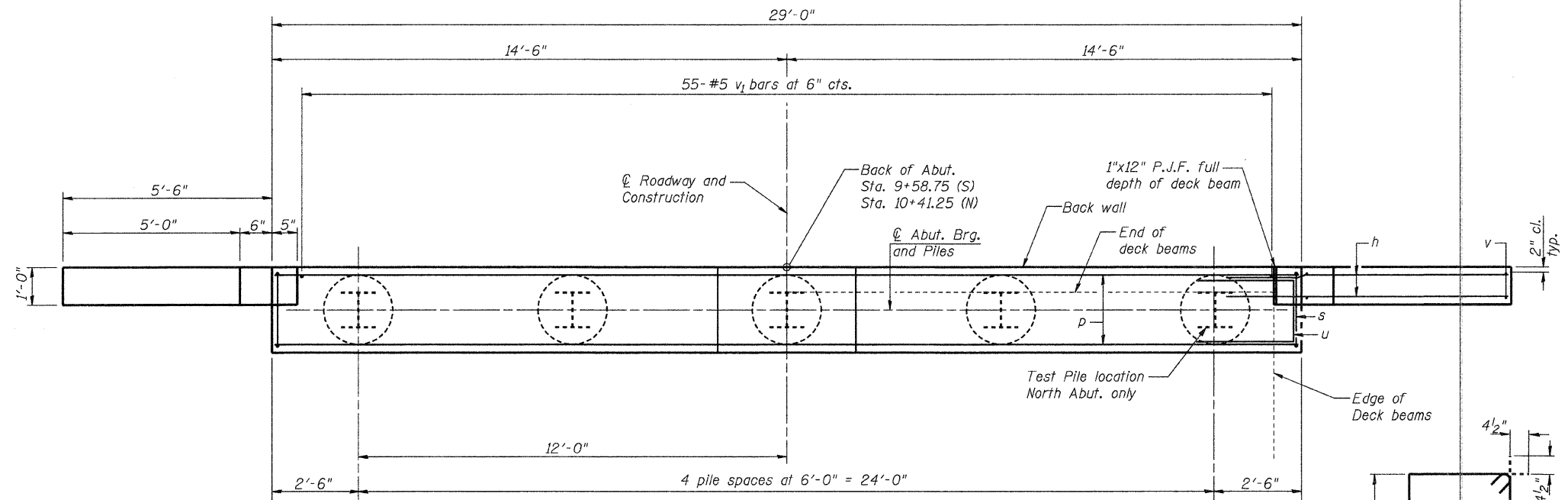


**ELEVATION**



**SEC. THRU ABUT.**



**PLAN**

**BILL OF MATERIAL FOR ONE ABUTMENT**

Bar	No.	Size	Length	Shape
h	44	#5	8'-0"	—
h <sub>1</sub>	4	#5	27'-8"	—
p	12	#7	28'-8"	—
s	30	#4	10'-5"	□
u	8	#6	8'-3"	—
v	24	#5	5'-9"	—
v <sub>1</sub>	55	#5	4'-6"	—
Concrete Structures		Cu Yd	12.5	
Reinforcement Bars		Pound	1900	
Furnishing Steel		S. Abut.	305	
Piles, HP12x53		N. Abut.	244	
Driving Piles		Foot	S. Abut. 305	
		N. Abut.	244	
Test Pile, Steel HP12x53		Each	S. Abut. 0	
		N. Abut.	1	
Concrete Encasement		Cu Yd	1.8	

For details of piles and Concrete Encasement, see Sheet 9 of 12.

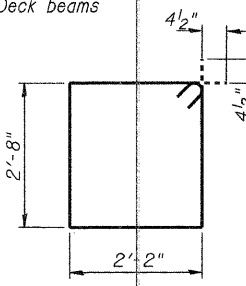
**PILE DATA SOUTH ABUTMENT**

Type: Steel HP12x53  
 Nominal Required Bearing: 373 kips  
 Allowable Resistance Available: 186 kips  
 Estimated Length: 61'/pile  
 No. Production Piles: 5  
 No. Test Piles: None

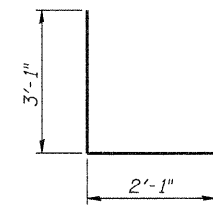
**PILE DATA NORTH ABUTMENT**

Type: Steel HP12x53  
 Nominal Required Bearing: 362 kips  
 Allowable Resistance Available: 181 kips  
 Estimated Length: 61'/pile  
 No. Production Piles: 4  
 No. Test Piles: 1

**GENERAL NOTES**  
 All exposed edges shall have standard 3/4" chamfer, unless otherwise noted.  
 All clearances between rebar and form surface shall be 2", unless otherwise noted.  
 Space reinforcement in cap to miss PPCDB dowel rods.  
 The Steel H-piles shall be according to AASHTO M270 Grade 50.  
 The Contractor shall drive one (1) Steel HP12x53 Test Pile in a permanent location at the North abutment as directed by the Engineer before ordering the remainder of the piles.  
 The Test Pile shall be driven to 110 percent of the Nominal Required Bearing indicated in the pile data information.  
 Reinforcement bars shall conform to the requirements of ASTM A 706 Grade 60 (IL Modified).



**BAR s**



**BAR u**

**ABUTMENT DETAILS STRUCTURE NO. 026-3449**

F.A.S. RTE.	SECTION	COUNTY	TOTAL SHEETS	SHEET NO.
1714	09-00119-00-BR	FAYETTE	12	8
CONTRACT NO. 95648				
ILLINOIS FED. AID PROJECT				

**RHUTASEL and ASSOCIATES, INC.**  
 CONSULTING ENGINEERS • LAND SURVEYORS  
 CENTRALIA, ILLINOIS FREEBURG, ILLINOIS  
 ILLINOIS DESIGN FIRM LICENSE NO. 184-000287

03/25/2011 RAAI #50509